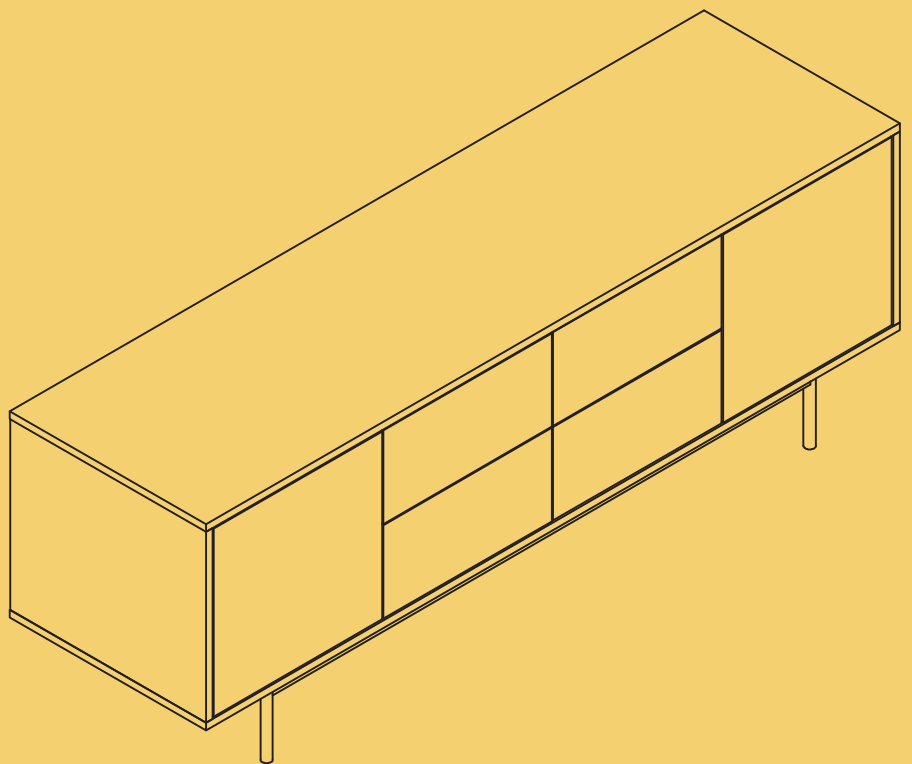


v1.0

BROSA

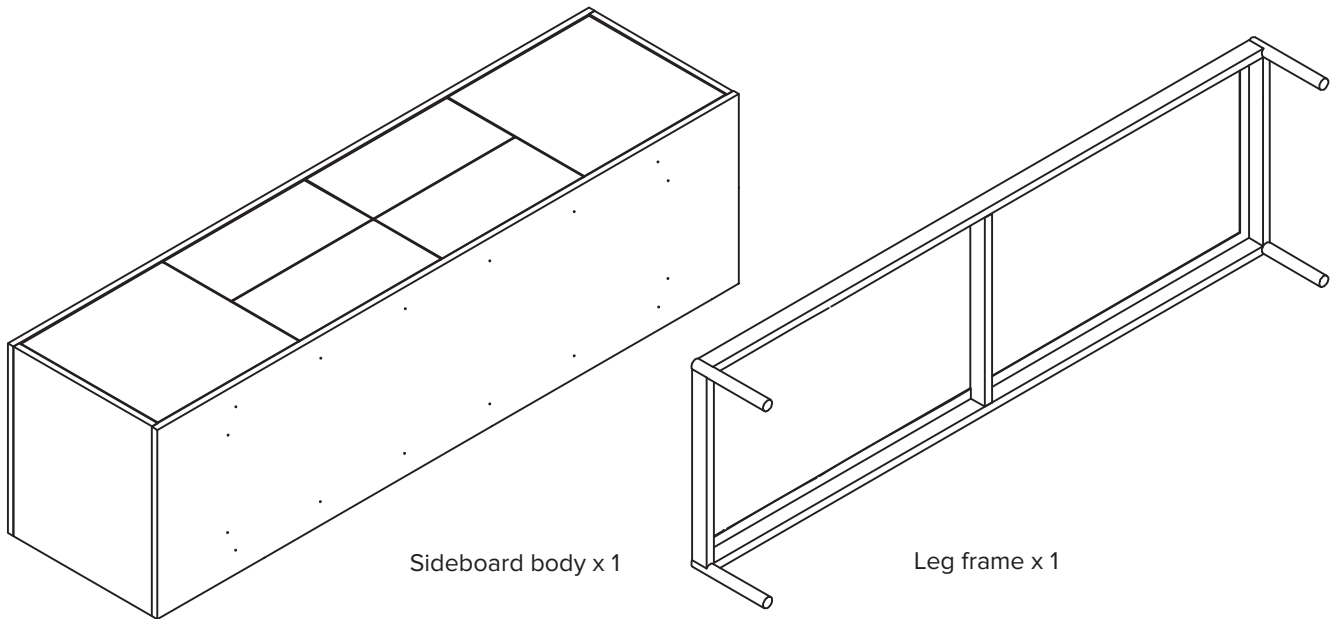


ASSEMBLY GUIDE

Finch Sideboard

Components

Upon unpacking your sideboard from it's delivery box, you should have the separate pieces shown below. Follow the steps on the next pages to assemble your new sideboard.



Hardware

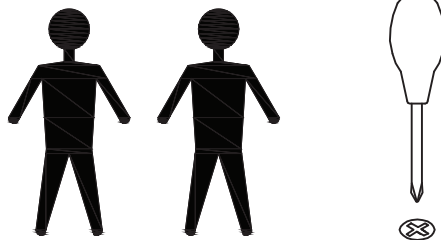


A x 16 (Screw)
(Spec: 3.8 x 16)



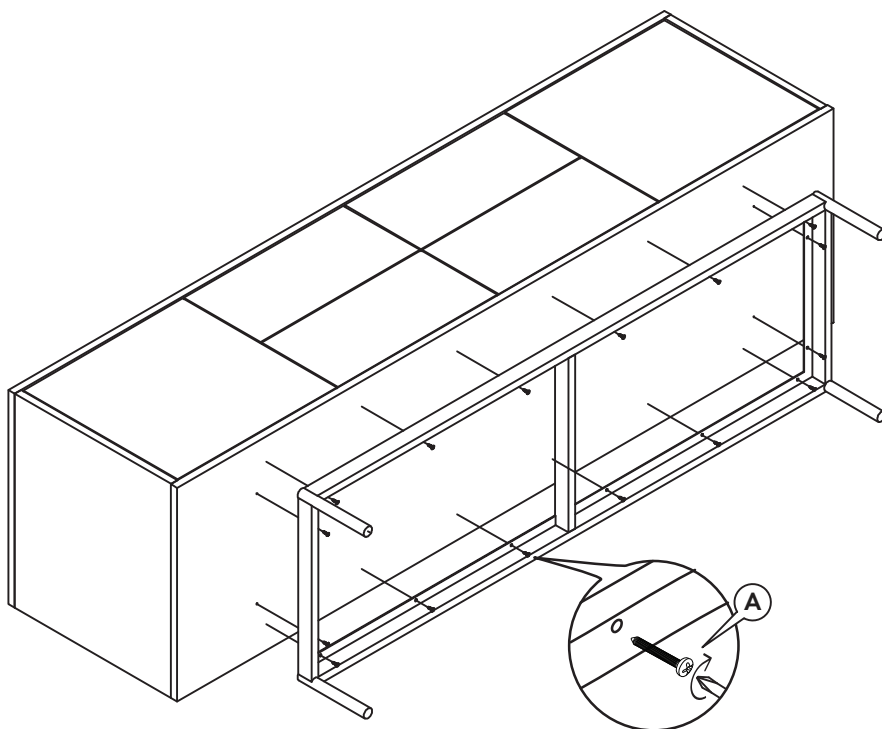
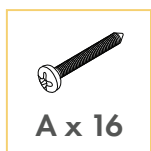
B x 4 (Foot pad)
(Spec: 20mm)

What you need



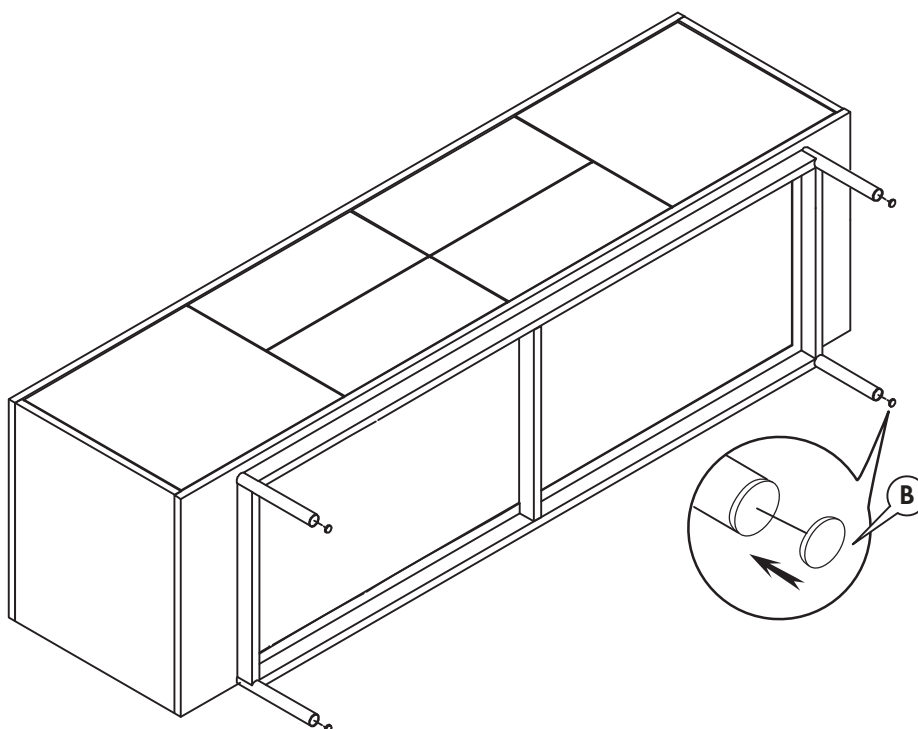
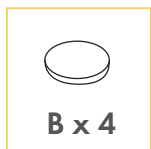
Step 1

Align the leg frame to the underside of the sideboard so that the screw holes are overlapping. Insert the screw (A) into the hole and tighten with a screwdriver. Repeat for all sixteen screws.



Step 2

Attach a foot pad (B) to the foot. Repeat for all four feet.



Step 3

Gently lift the sideboard and place upright on a level surface. Enjoy your new sideboard!

