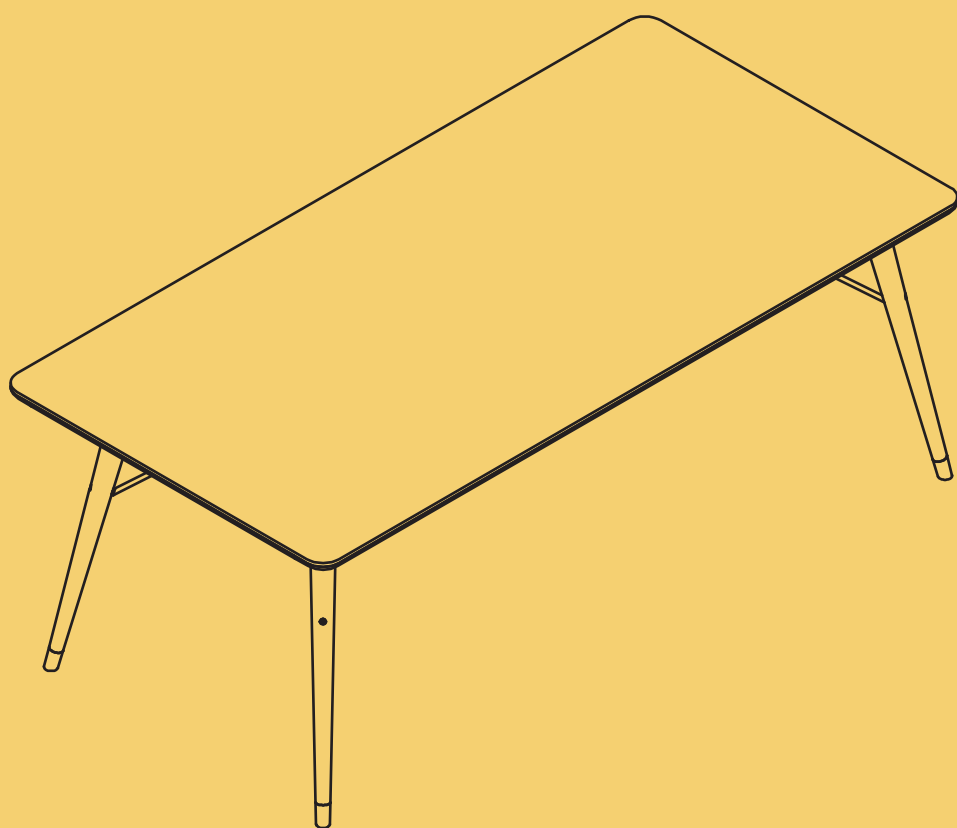


v1.0

BROSA



ASSEMBLY GUIDE

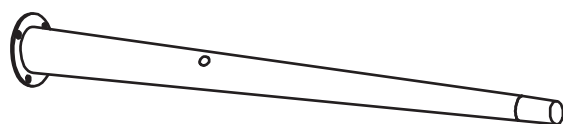
Maris Dining Table

Components

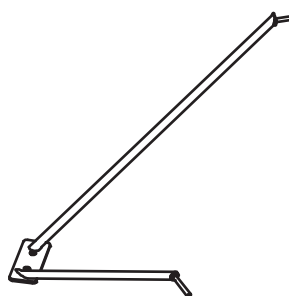
Upon unpacking your dining table from its delivery box, you should have the separate pieces shown below. Follow the steps on the next pages to assemble your new dining table.



Table top x 1



A x 4 (Leg)



B x 2 (Metal Support)

Hardware



C x 16 (Bolt)
Spec: M6 x 20mm



D x 4 (Hex Nut)



E x 16 (Flat Washer)

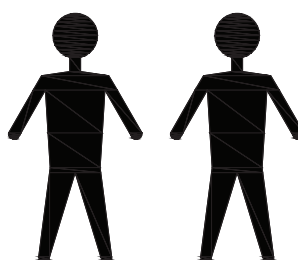


F x 16 (Spring Washer)



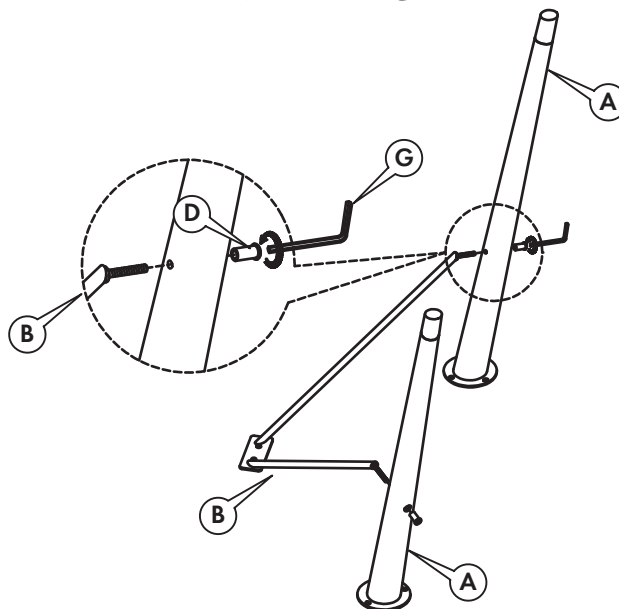
G x 1 (Allen Key)

What you need



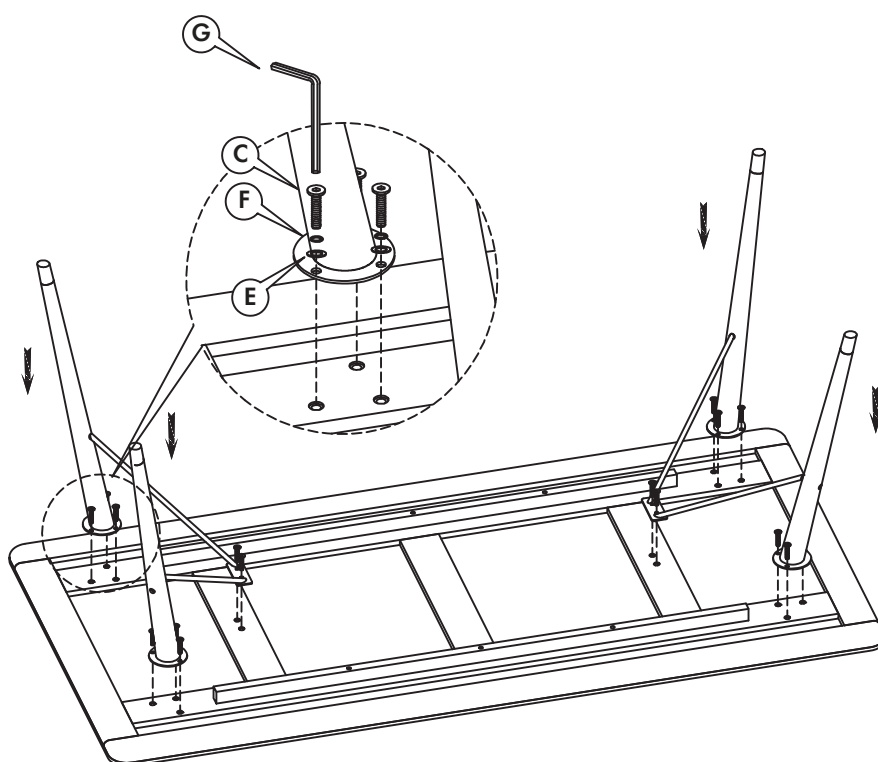
Step 1

Align a metal support (B) to a leg (A) and fit them together. Secure the metal support into place using a hex nut (D). Tighten the hex nut with the allen key (G). Repeat for the other pair of legs and metal support.



Step 2

Align the structure formed in Step 1 to the underside of the table top. Fit a spring washer (F) to a bolt (C) followed by a flat washer (E) and screw into a hole using the allen key (G). Repeat for the remaining bolts.



Step 3

Gently lift the table and place upright on a level surface.
Enjoy your new dining table!

