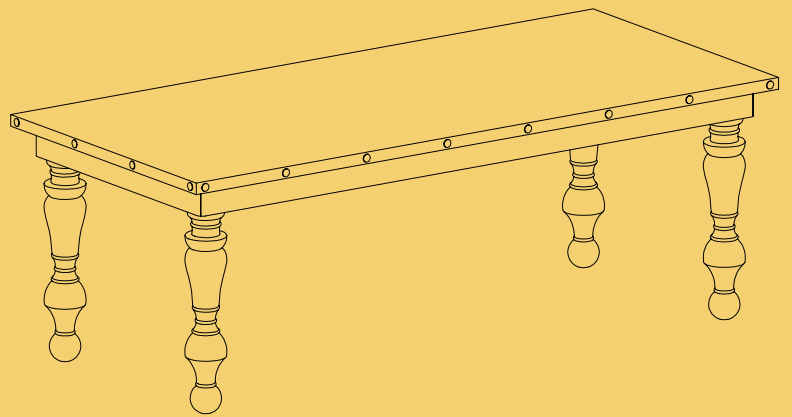


v1.0

BROSA



ASSEMBLY GUIDE

Selby Dining Table

Components

Upon unpacking your dining table from it's delivery box, you should have the separate pieces shown below. Follow the steps on the next pages to assemble your new dining table.

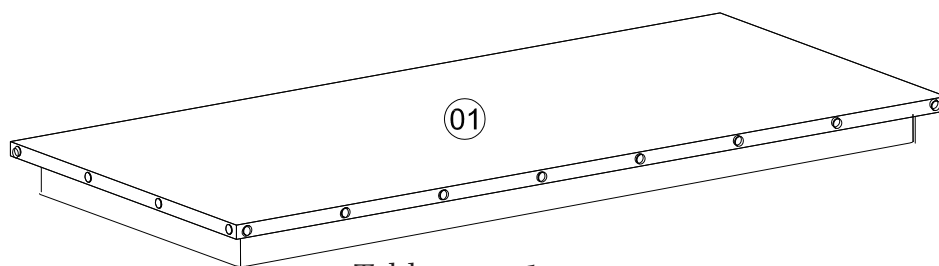
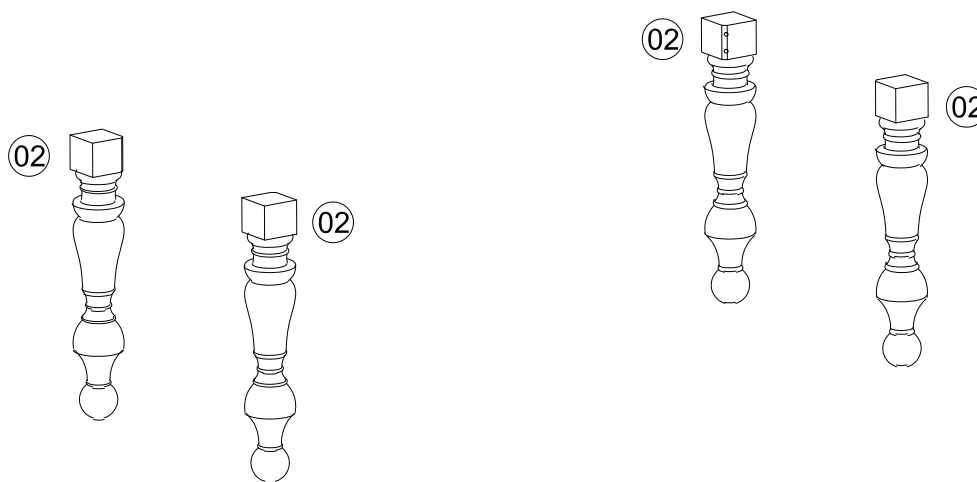


Table top x 1



Leg x 2

Hardware



A x 8

Spec: Ø8mm x 57mm



B x 8

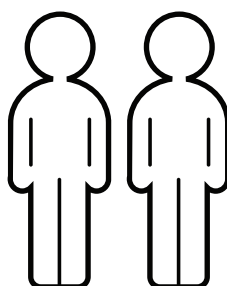
Spec: Ø8mm x 19mm x 1.2mm



C x 1

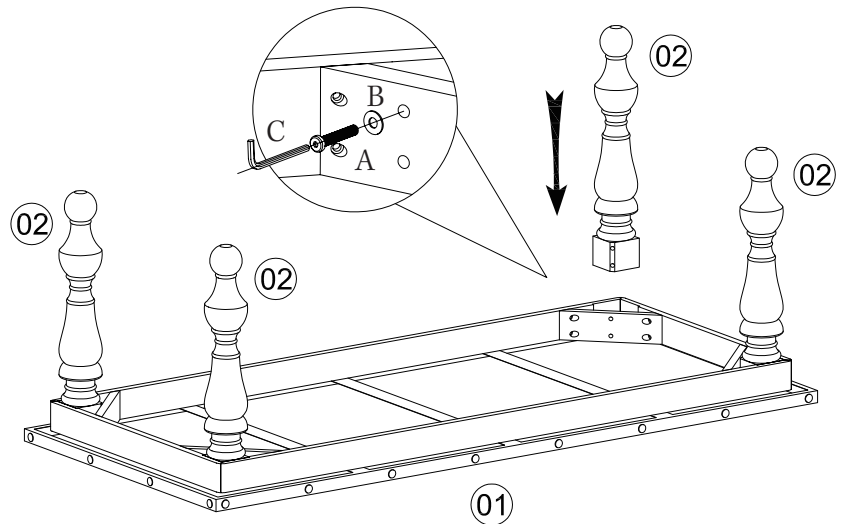
Spec: M5mm x 67mm

What you need



Step 1

Insert the legs (2) in the space of each corner of the table (1) so that the screw slots are aligned. Fit a washer (B) to a bolt (A) and screw firmly into place using the allen key (C)



Step 2

Gently lift the table and place upright on a level surface. Enjoy your new dining table!

