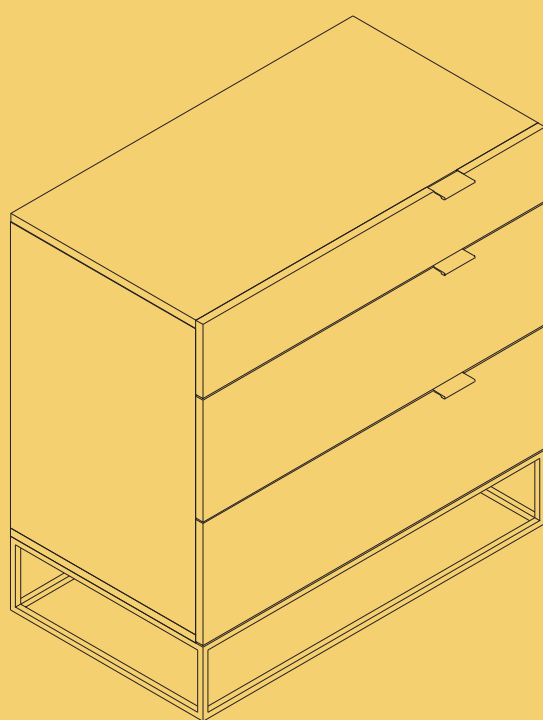


v1.0

# BROSA

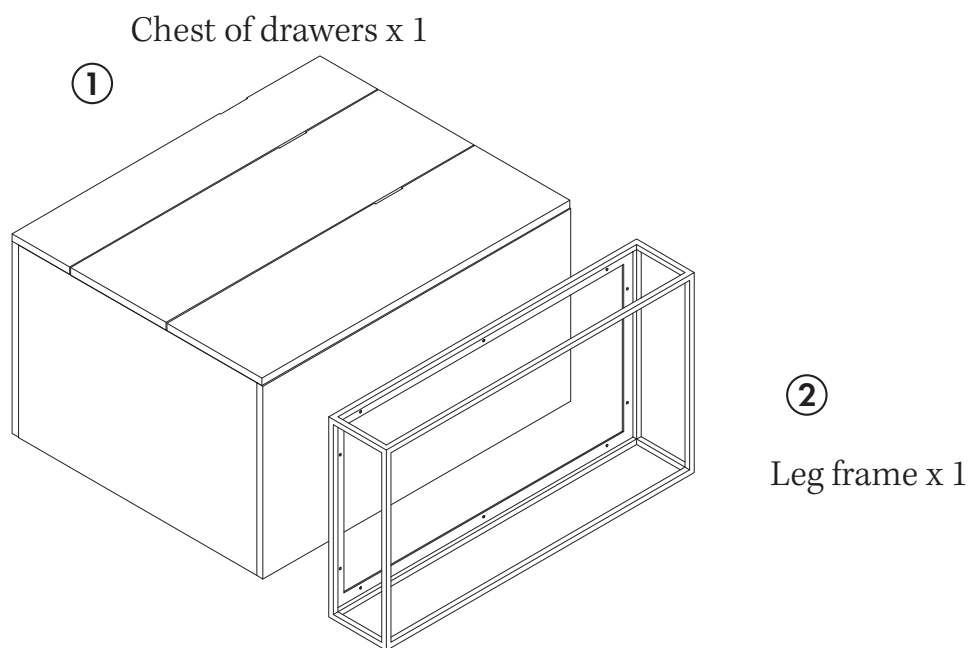


**ASSEMBLY GUIDE**

## Tallinn Chest of Drawers

# Components

Upon unpacking your chest of drawers from its delivery box, you should have the separate pieces shown below. Follow the steps on the next pages to assemble your new chest of drawers.

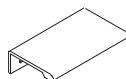


## Hardware



A x 10

Spec: Ø3.8mm x L16mm



B x 3

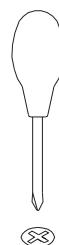
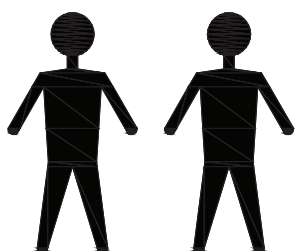
Spec:



C x 6

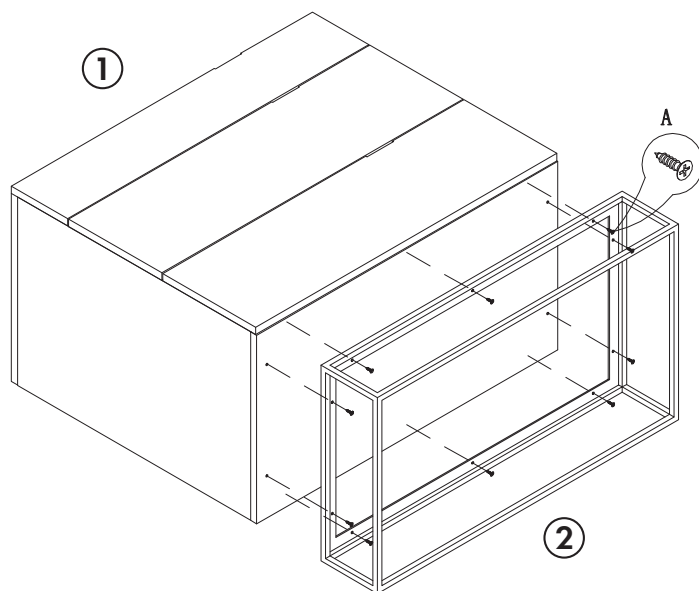
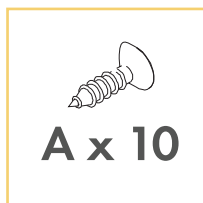
Spec: Ø3.5mm x L11mm

## What you need



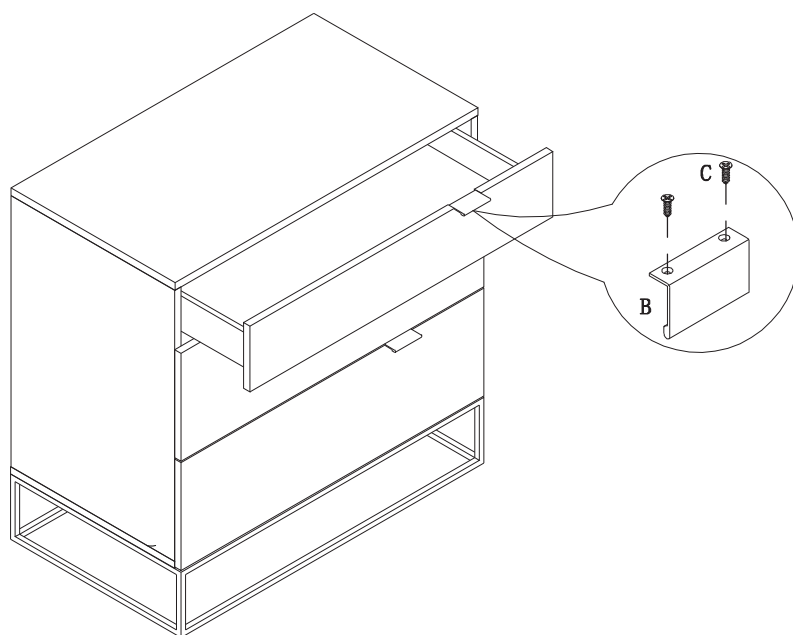
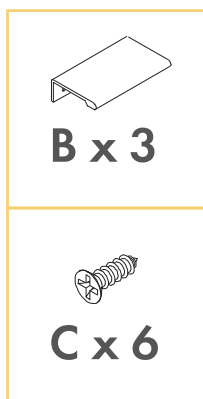
# Step 1

Align leg frame (2) to the underside of the chest (1). Insert a screw (A) into a hole, using the screw driver to tighten. Repeat for all of the remaining bolts.



# Step 2

Align a handle (B) to its corresponding spot on the drawer front panel and use screws (C) to secure it into place. Repeat for the remaining handles (B).



# Step 3

Gently lift the chest of drawers and place upright on a level surface. Enjoy your new chest of drawers!

