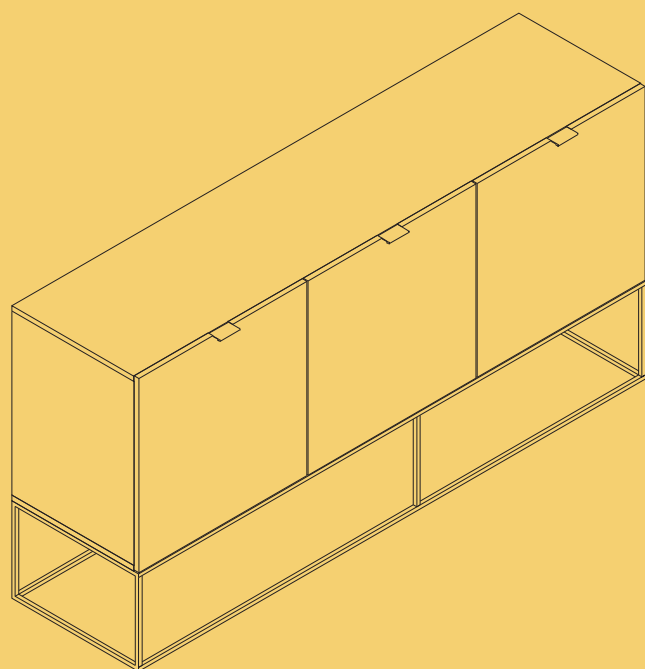


v1.0

BROSA

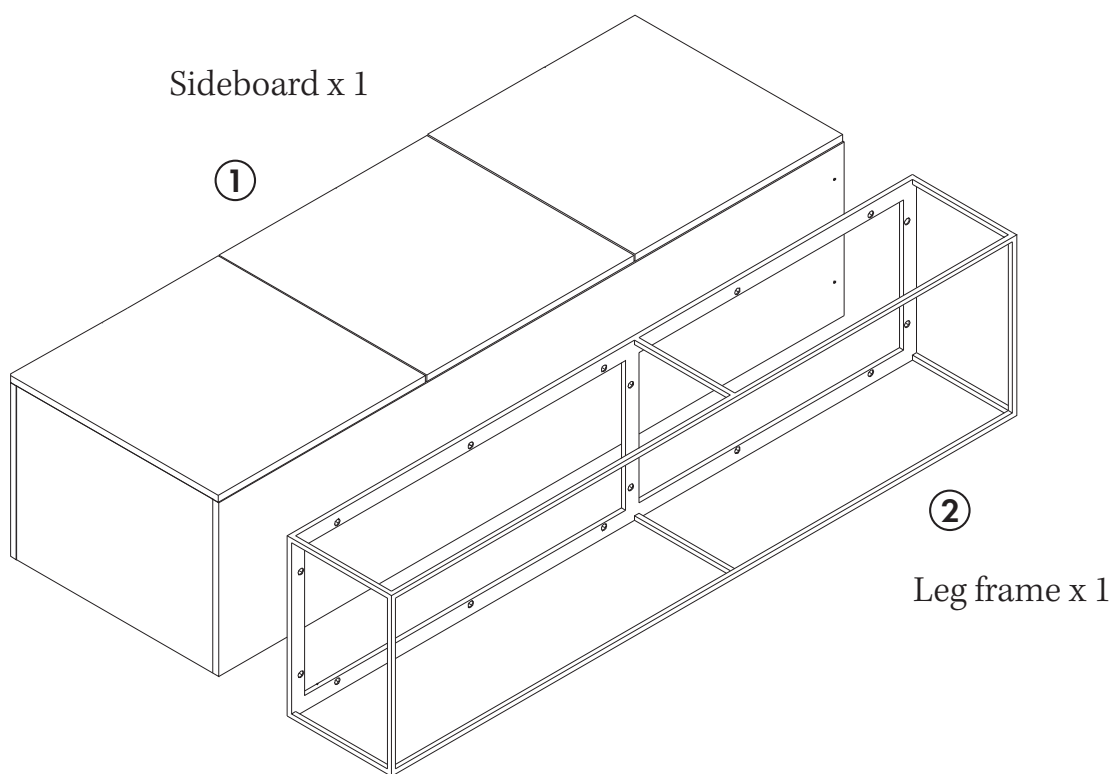


ASSEMBLY GUIDE

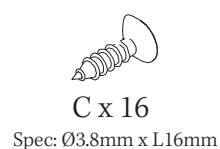
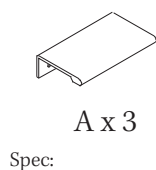
Tallinn Sideboard

Components

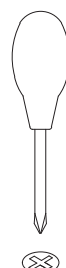
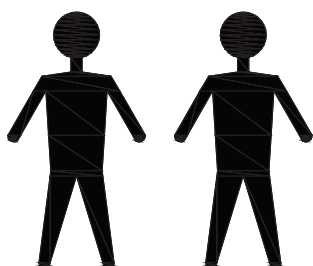
Upon unpacking your sideboard from it's delivery box, you should have the separate pieces shown below. Follow the steps on the next pages to assemble your new sideboard.



Hardware

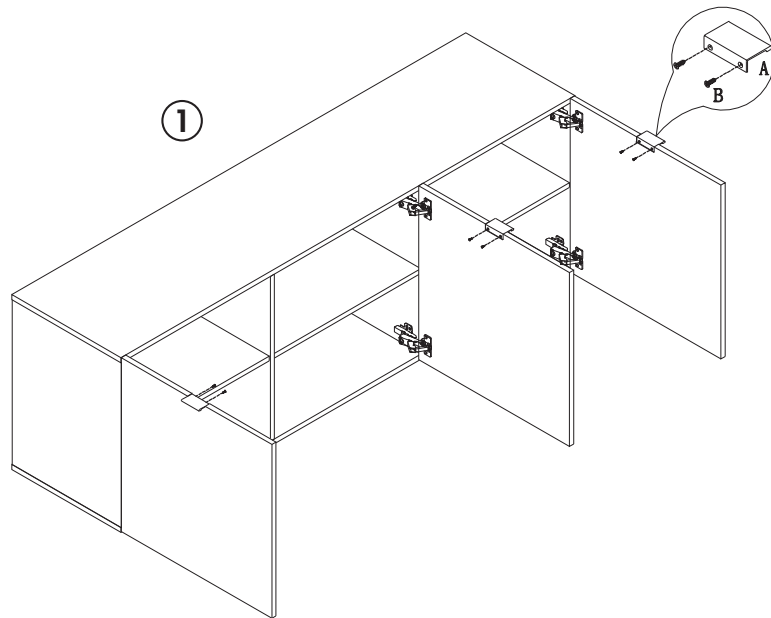
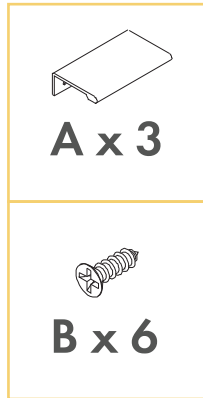


What you need



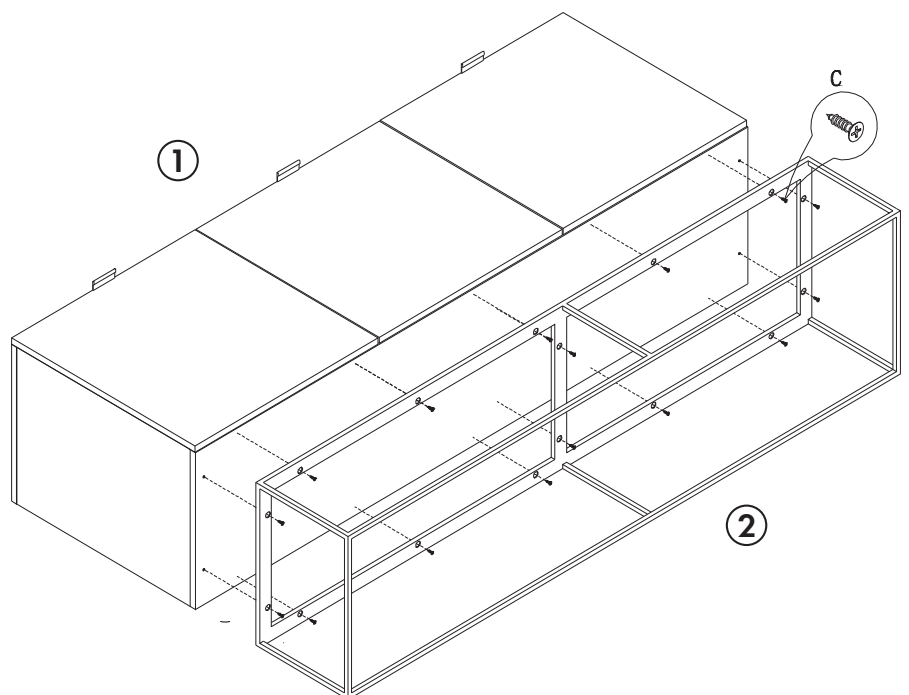
Step 1

Align a handle (A) to its corresponding spot on the sideboard (1) and use screws (B) to secure it into place. Repeat for the remaining handles (A).



Step 2

Align leg frame (2) to the underside of the sideboard (1). Insert a screw into a hole, using the screw driver to tighten. Repeat for all of the remaining bolts.



Step 3

Gently lift the sideboard and place upright on a level surface. Enjoy your new sideboard!

