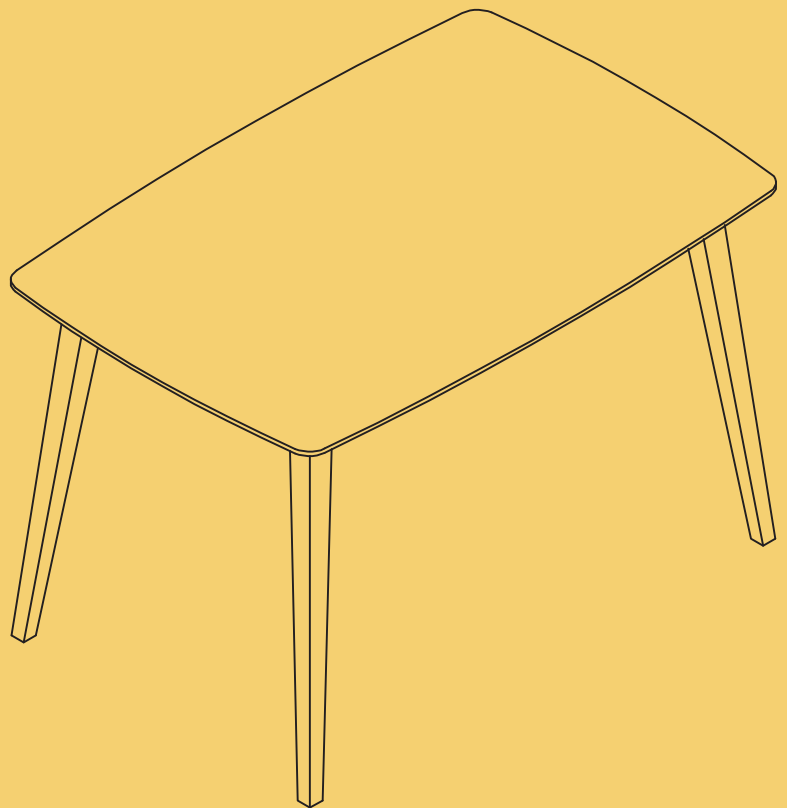


v1.0

BROSA



ASSEMBLY GUIDE

Bristol Small Dining Table

Components

Upon unpacking your table from its delivery box, you should have the separate pieces shown below. Follow the steps on the next pages to assemble your new table.

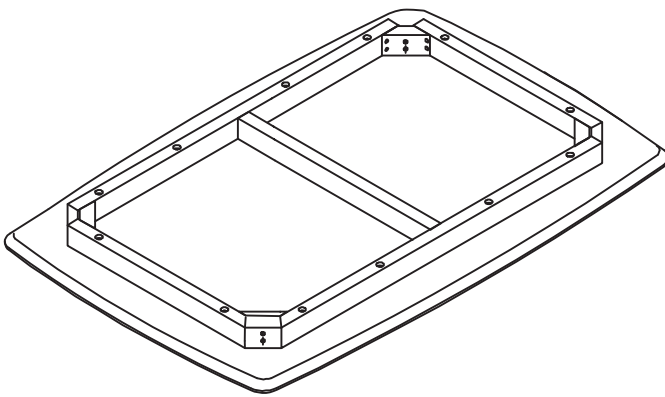
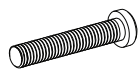


Table top x 1



Leg x 4

Hardware



A x 8 (Bolt)
(Spec: 5/16 x 60)

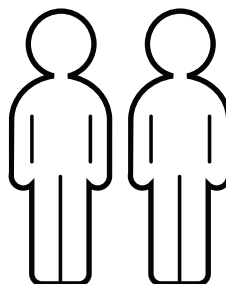


B x 8 (Flat Washer)
(Spec: 8x14)



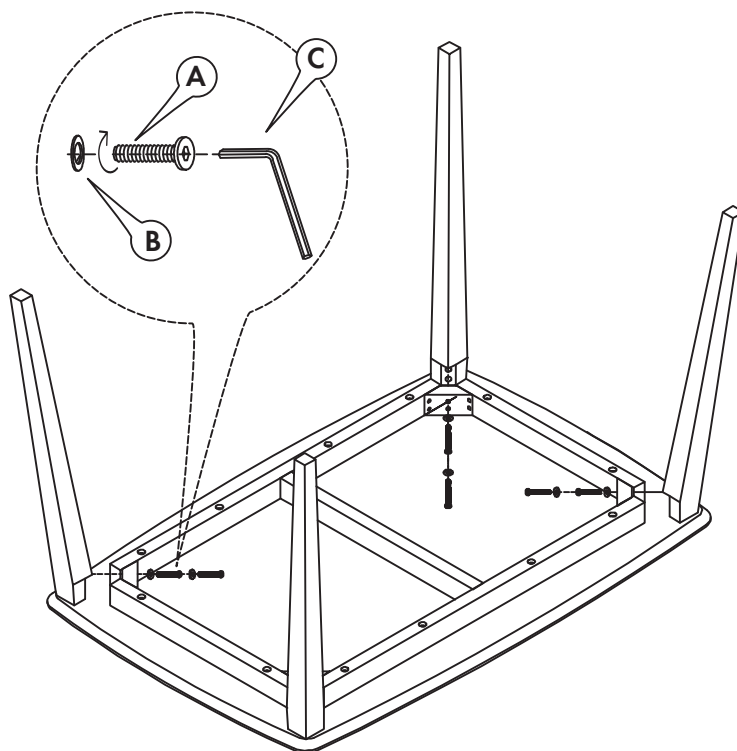
C x 1 (Allen key)
(Spec: #5)

What you need



Step 1

Align a leg to the underside of the table so that the bolt holes are overlapping. Fit a flat washer (B) to a bolt (A) and screw into the hole using the Allen key (C). Repeat for the remaining legs.



Step 2

Gently lift the table and place upright on a level surface. Enjoy your new table!

