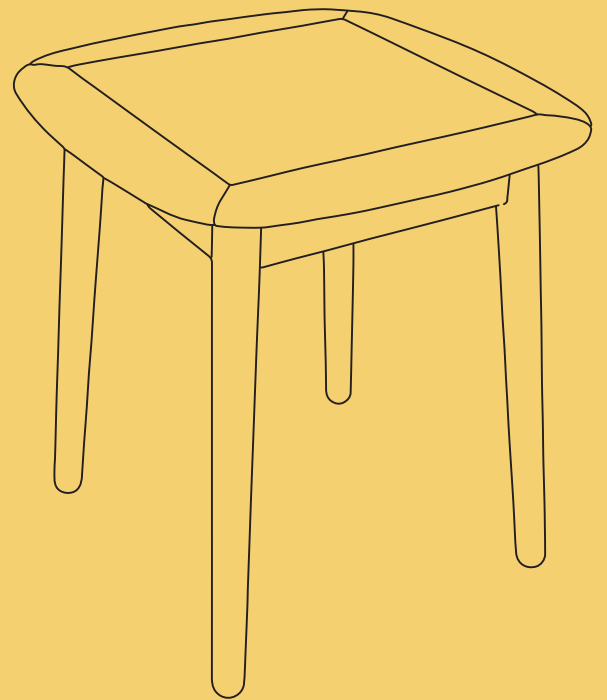


v1.0

# BROSA



**ASSEMBLY GUIDE**

## Kaneko Lamp Table

# Components

Upon unpacking your table from its delivery box, you should have the separate pieces shown below. Follow the steps on the next pages to assemble your new table.

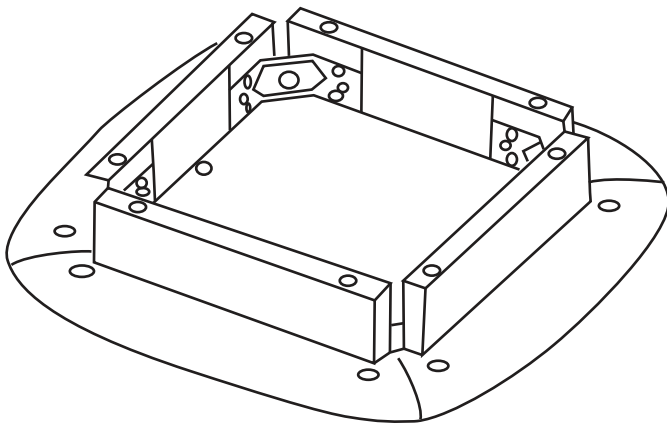
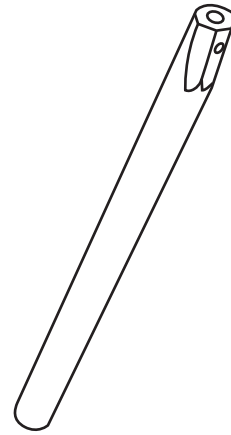


Table top x 1



Leg x 4

## Hardware



A x 4  
(Cross Dowel)



B x 4  
(Threaded Rod)



C x 4  
(Flat Washer)



D x 4  
(Lock Washer)

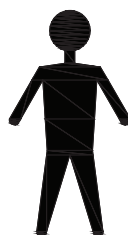


E x 4  
(Hex Nut)



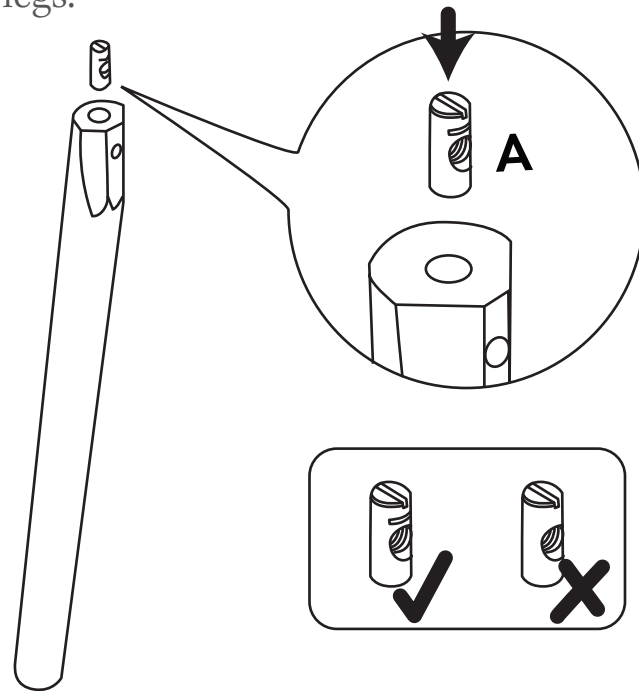
F x 1  
(Spanner)

## What you need



# Step 1

Insert the cross dowel (A) into the top hole of the leg so that the mark faces the bolt hole. Repeat for all four legs.



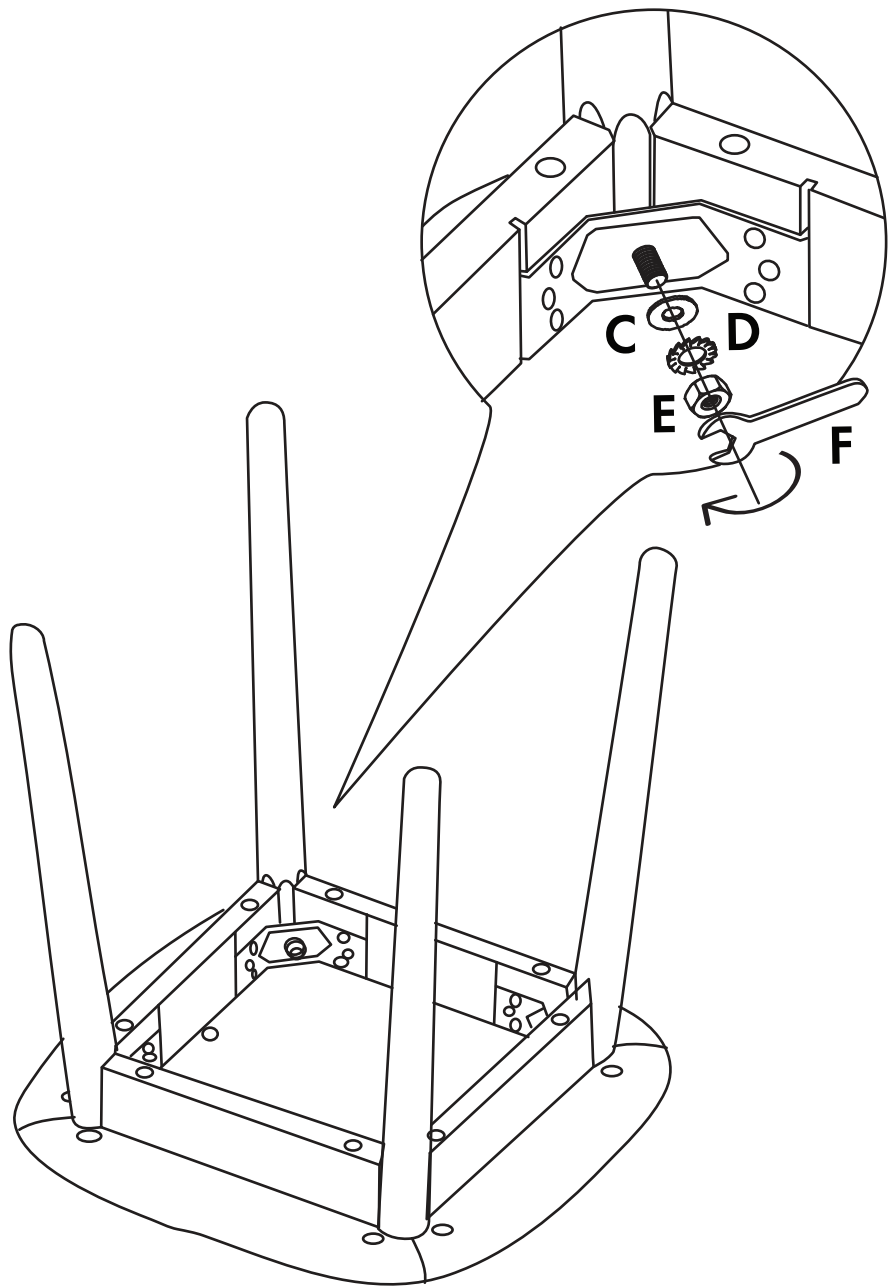
# Step 2

Screw the threaded rod (B) into the corner hole. Repeat for all four legs.



# Step 3

Place the table top on a flat surface with underside facing up. Fit a leg into a corner with the rod protruding from the metal connector. Fit a washer (C), a lock washer (D) then a hex nut (E) to the threaded rod and tighten with the spanner (F). Repeat for the remaining legs.



# Step 4

Place the table on a flat surface and enjoy your new table!

