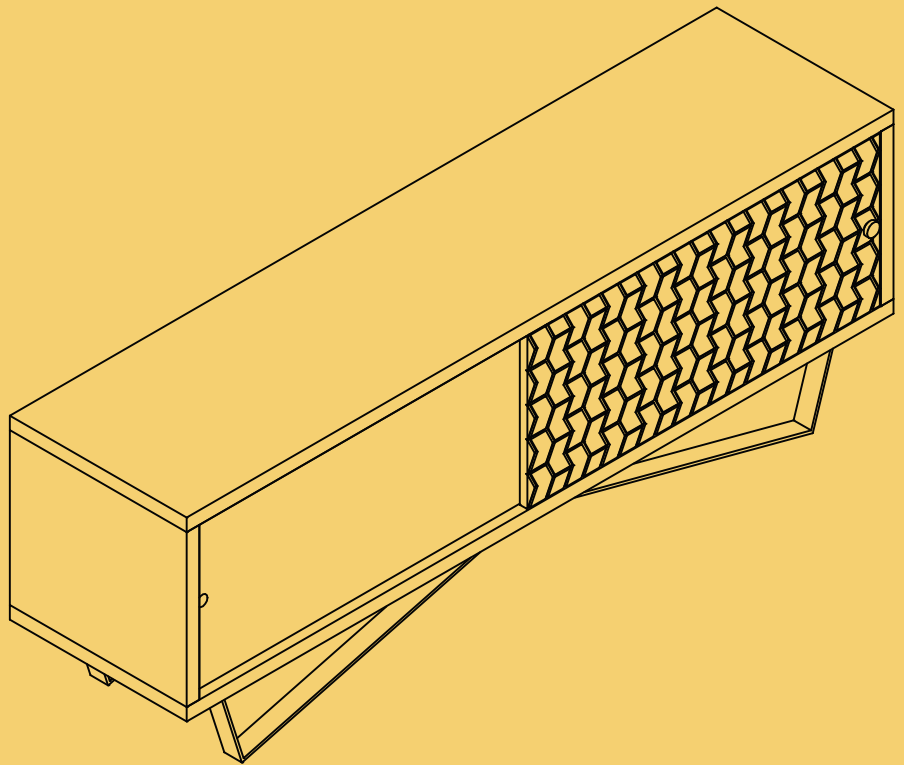


v1.0

# BROSA

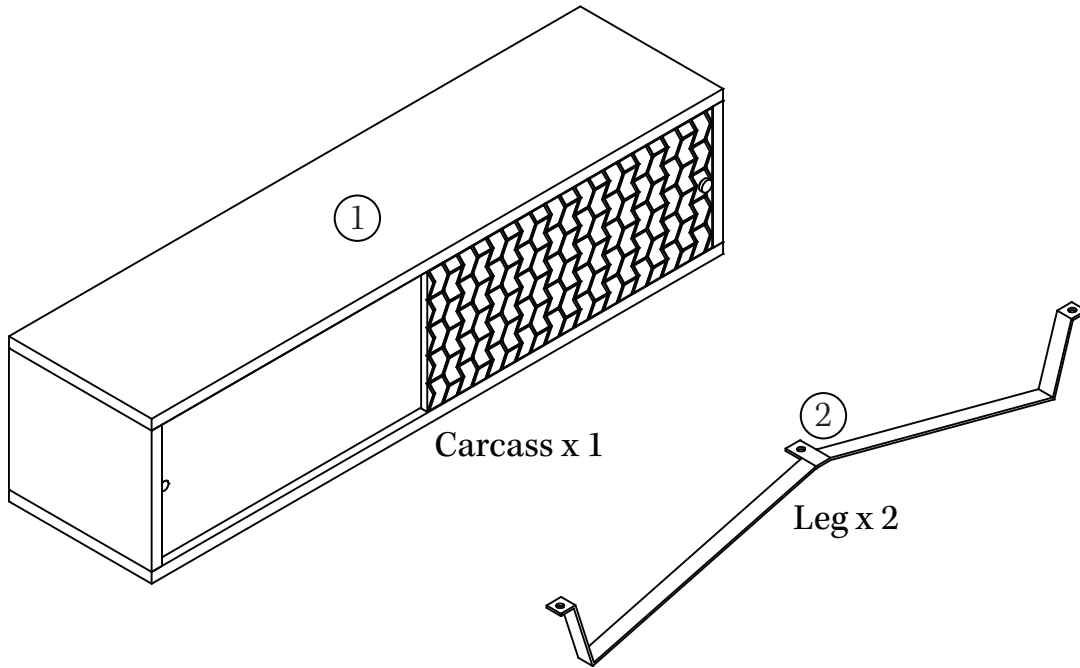


**ASSEMBLY GUIDE**

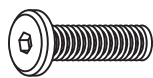
## Alpina Entertainment Unit

# Components

Upon unpacking your entertainment unit from its delivery box, you should have the separate pieces shown below. Follow the steps on the next pages to assemble your entertainment unit.



## Hardware



A x 6

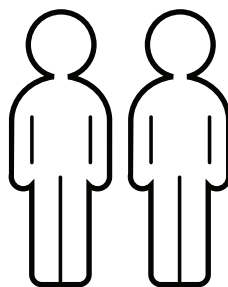


B x 6



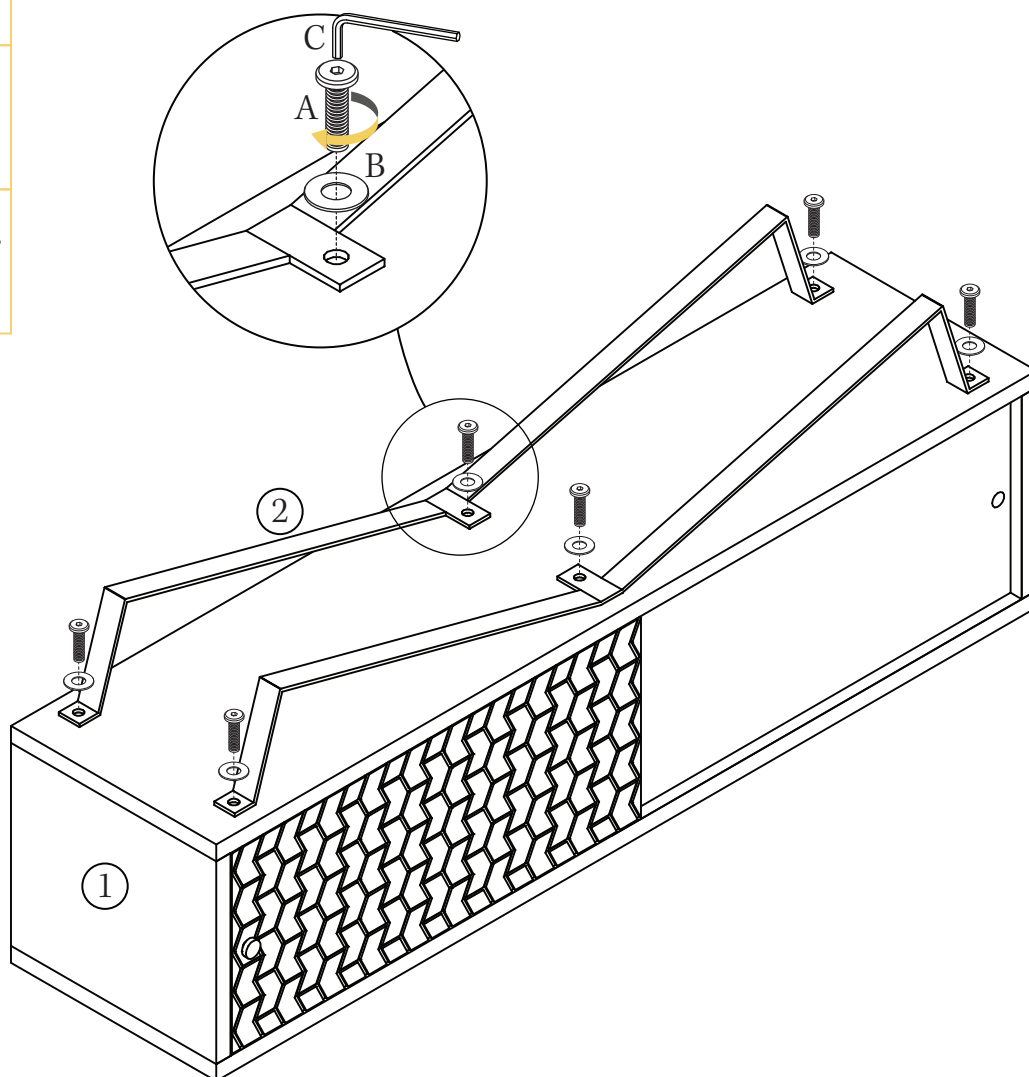
C x 1

## What you need



# Step 1

Align a leg (2) to the underside of the carcass (1) so that the screw holes are overlapping. Fit a washer (B) to a bolt (A) and screw into each hole using the Allen key (C). Repeat for the other leg.



## Step 2

With another person, lift the entertainment unit off the ground and place it upright on a level surface. Enjoy your new entertainment unit!

