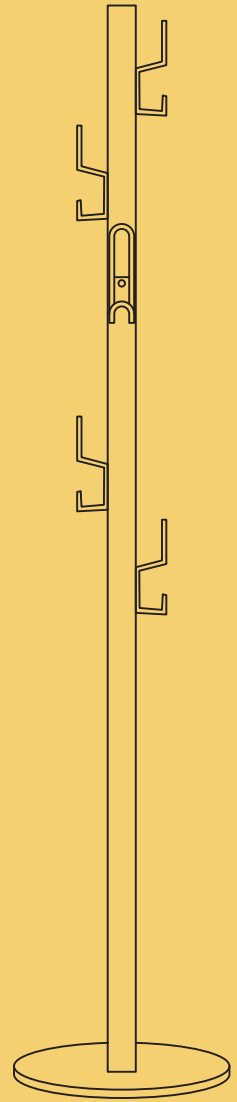


v1.0

# BROSA

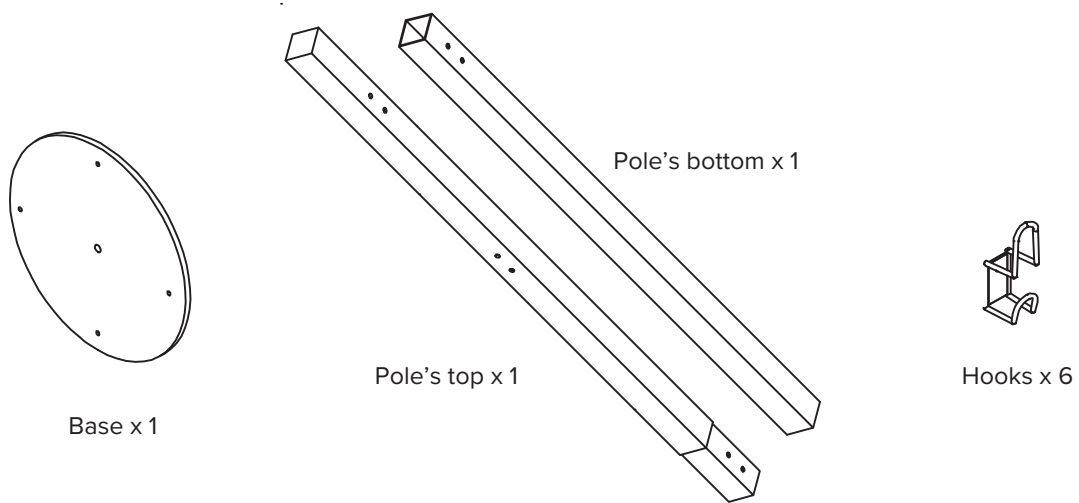


**ASSEMBLY GUIDE**

## Avoca Coat Rack

# Components

Upon unpacking your coat rack from its delivery box, you should have the separate pieces shown below. Follow the steps on the next pages to assemble your new coat rack.



## Hardware



A x 4 (Caps)  
(Spec: 20x20)



B x 1 (Bolt)  
(Spec: M8 x 30)



C x 6 (Bolt)  
(Spec: M6 x 20)

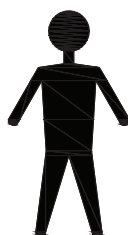


D x 1 (Allen key)  
(Spec: #8)



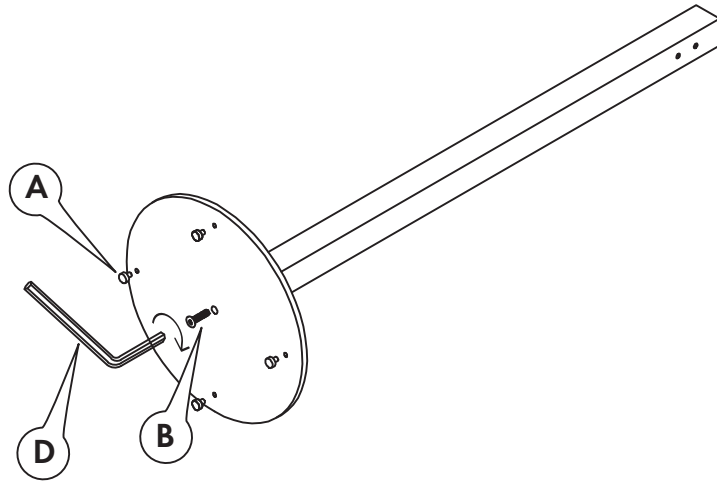
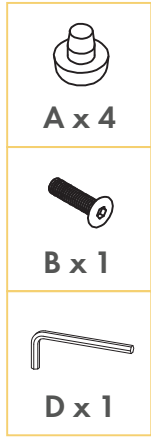
E x 1 (Allen key)  
(Spec: #6)

## What you need



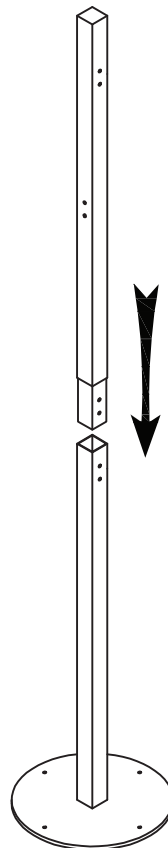
# Step 1

Insert caps (A) into the four holes on the bottom of the base. Align the pole's bottom part with the central hole on the base and fix it in place with a bolt (B) using the Allen key (D).



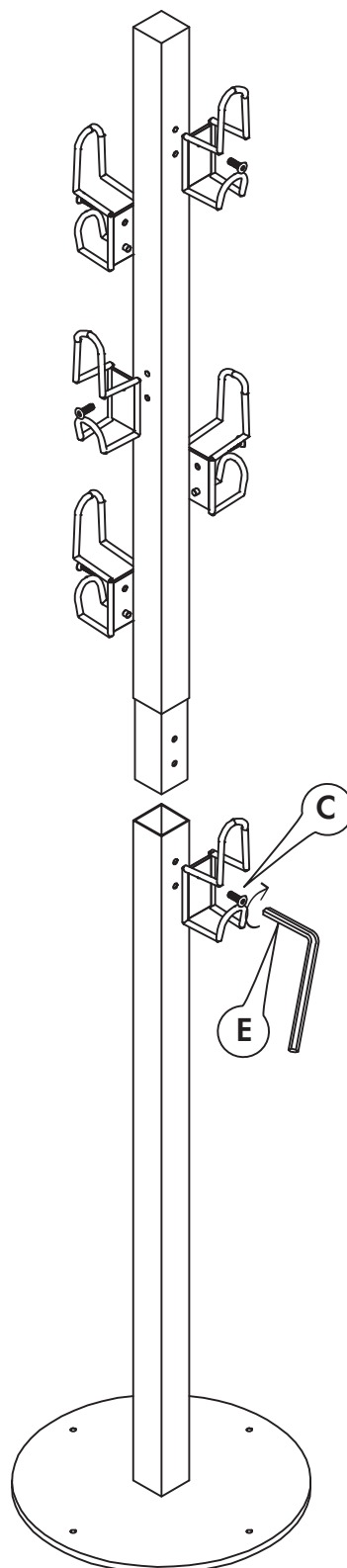
# Step 2

Gently lift formed construction and place upright on a level surface. Insert pole's top part into the bottom part so that the bolt holes overlaps.



# Step 3

Align a hook to the holes on the side of the pole and fix it with a bolt (C) using the Allen key (E). Repeat for remaining hooks.



# Step 4

Enjoy your new coat rack!

