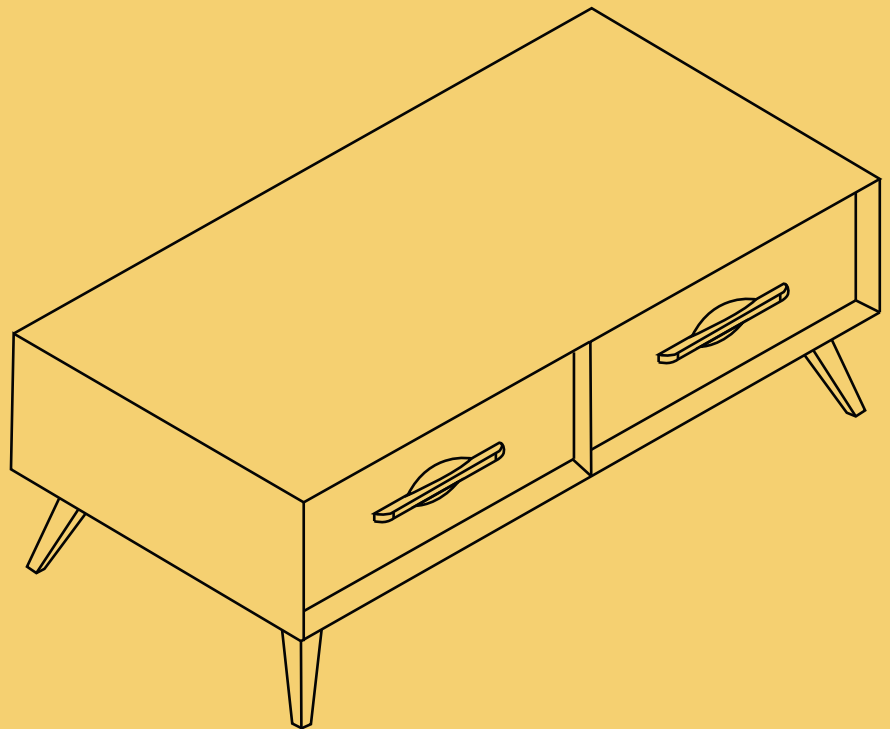


v1.0

BROSA



ASSEMBLY GUIDE

Hans Coffee Table with Drawers

Components

Upon unpacking your table from its delivery box, you should have the separate pieces shown below. Follow the steps on the next pages to assemble your new table.

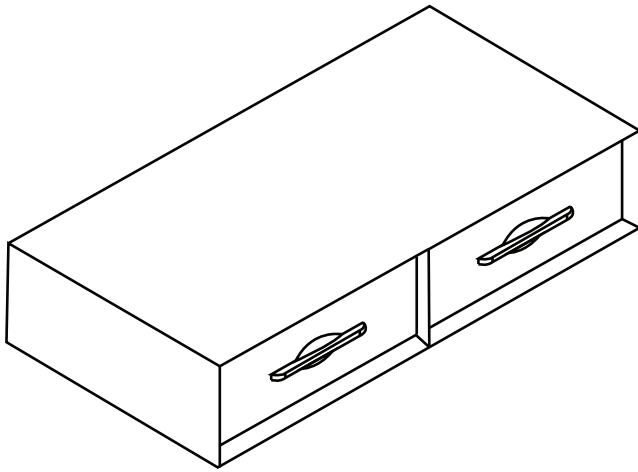
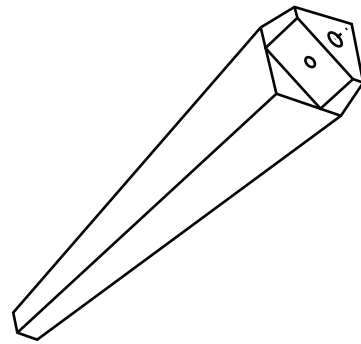


Table top x 1



Leg x 4

Hardware



A x 4
(Cross Dowel)



B x 4
(Threaded Bolt)



C x 4
(Washer)



D x 4
(Lock Washer)

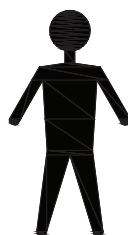


E x 4
(Hex Nut)



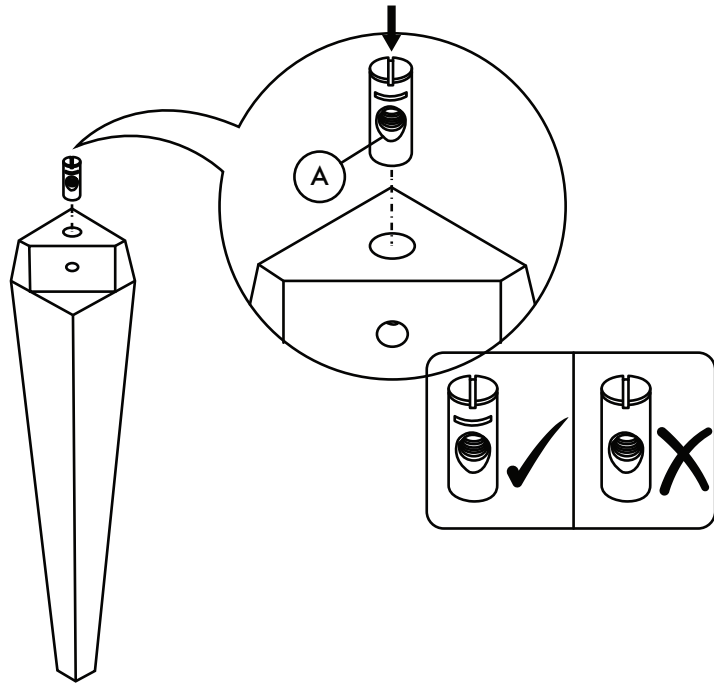
F x 1
(Spanner)

What you need



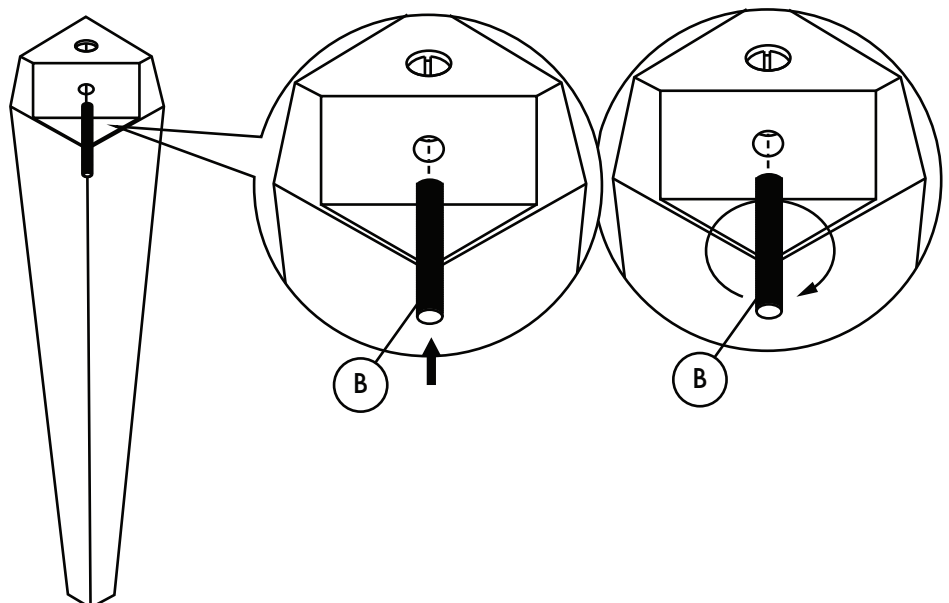
Step 1

Insert the cross dowel (A) into the top hole of the leg so that the side marker faces the bolt hole. Repeat for all four legs.



Step 2

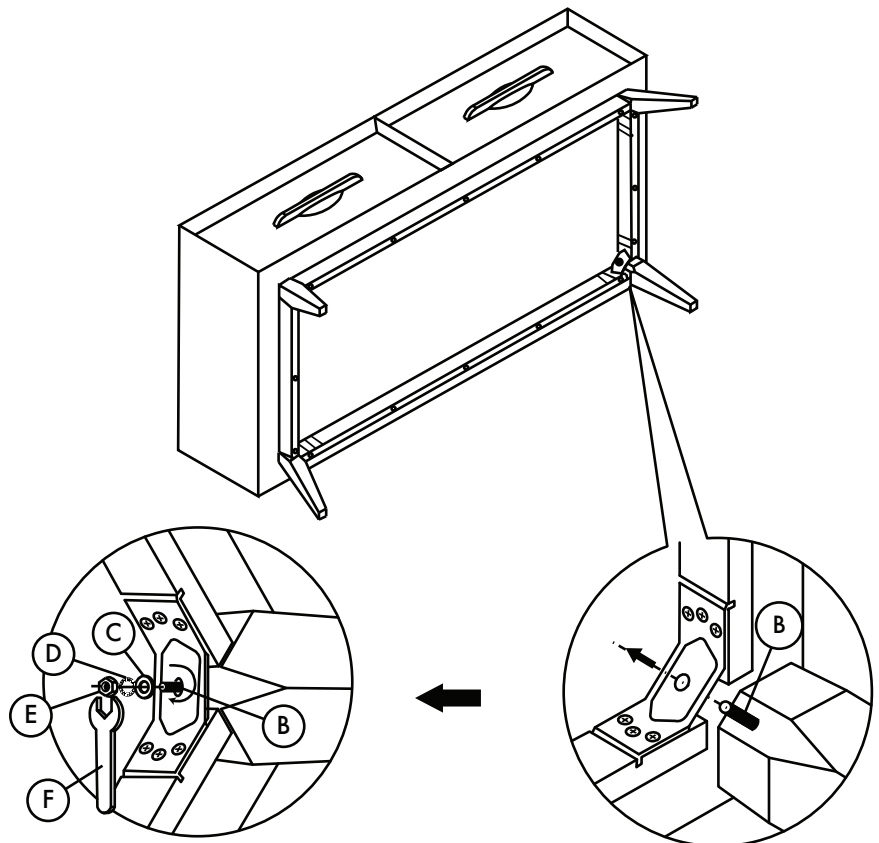
Screw the threaded bolt (B) into the corner hole. Repeat for all four legs.



Step 3

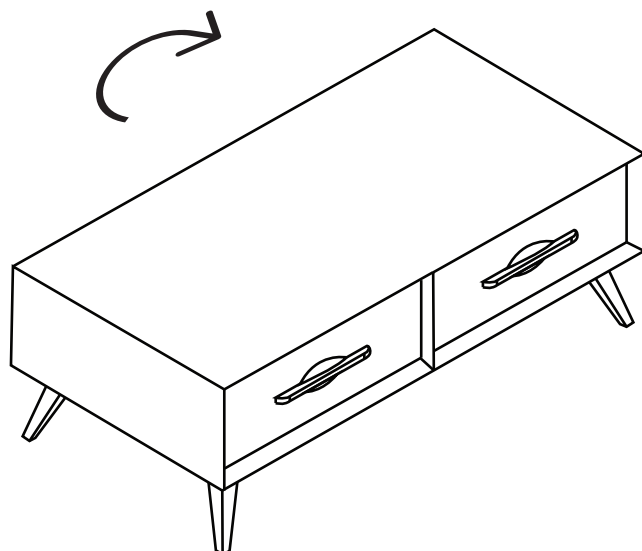
Place the table top on a flat surface with underside facing up. Insert a leg construction formed in previous steps into a corner opening. Fit a washer (C), a lock washer (D) then a hex nut (E) to the threaded bold and tighten with the spanner (F). Repeat for the remaining legs.

-  C x 4
-  D x 4
-  E x 4
-  F x 1



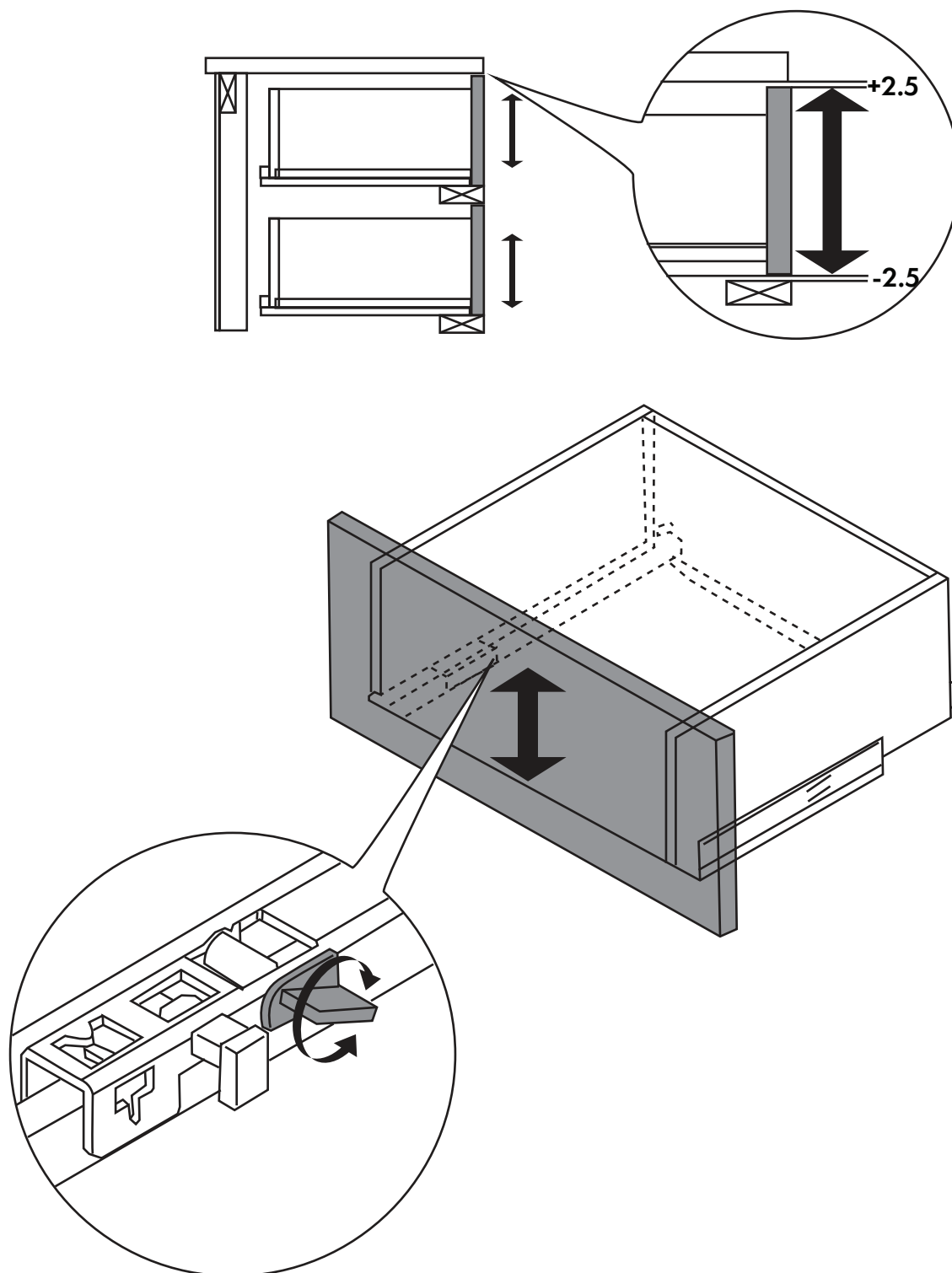
Step 4

Gently flip the table and place on a level surface.



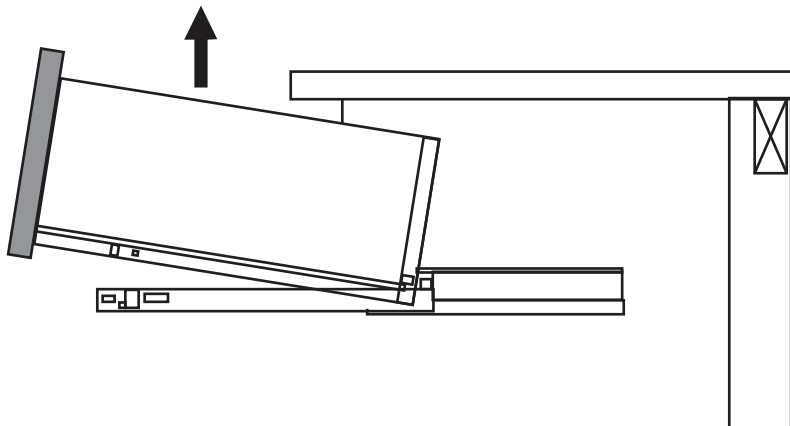
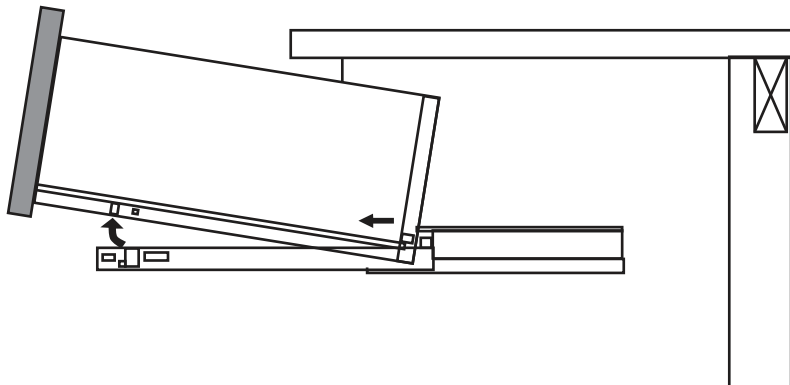
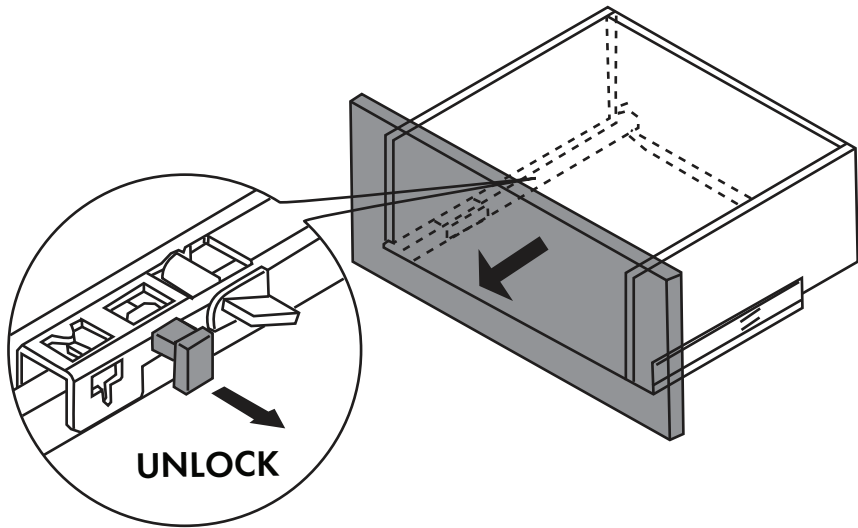
Step 5

Turn the twist inside of the drawer to adjust its vertical position, so that there are equal gaps above and below the front wall.



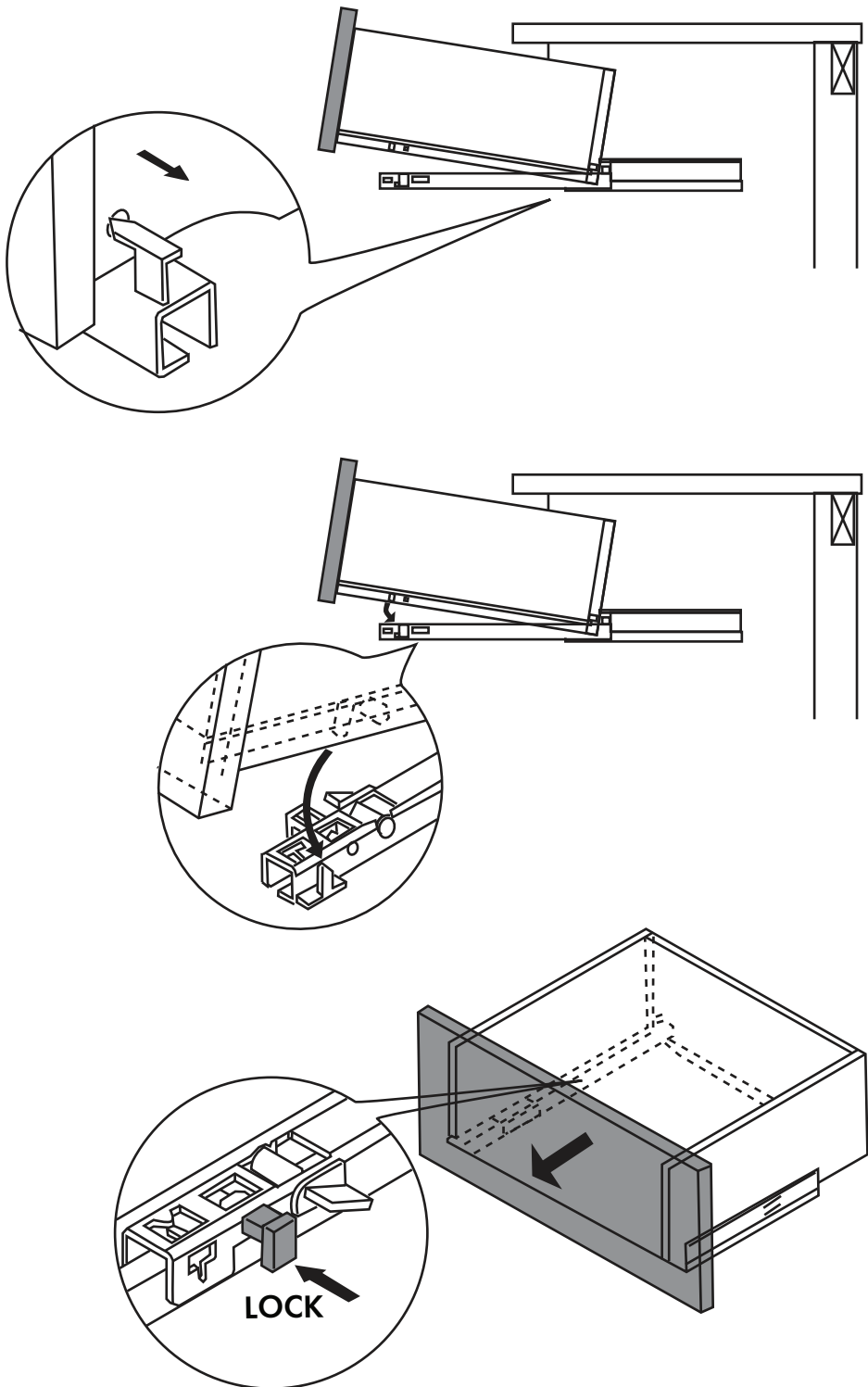
Step 6

To take the drawer out, open it, pull out the Lock button inside of the drawer. Gently lift the front part of of the drawer.



Step 7

To put the drawer back in, attach the connector in the back of the drawer. Gently put down the front part of the drawer so that the front connectors attach. Push back the Lock button inside of the drawer.



Step 8

Enjoy your new table!

