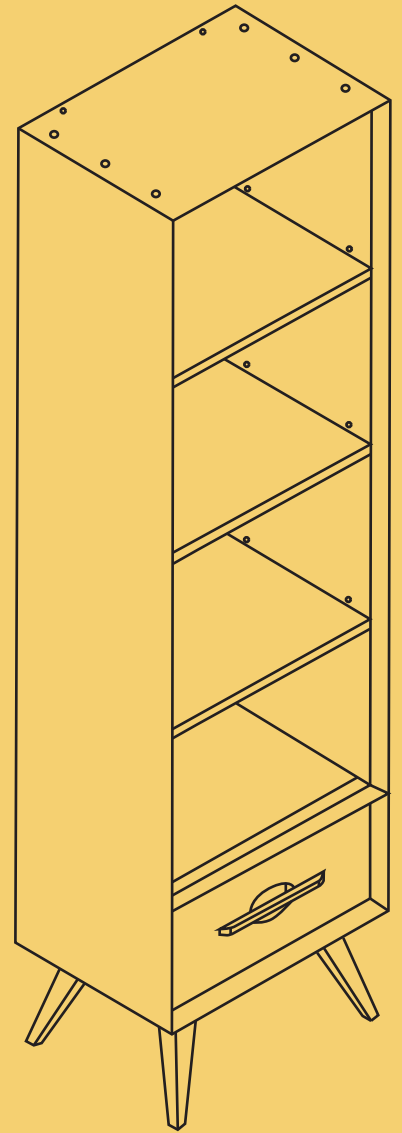


v1.0

BROSA

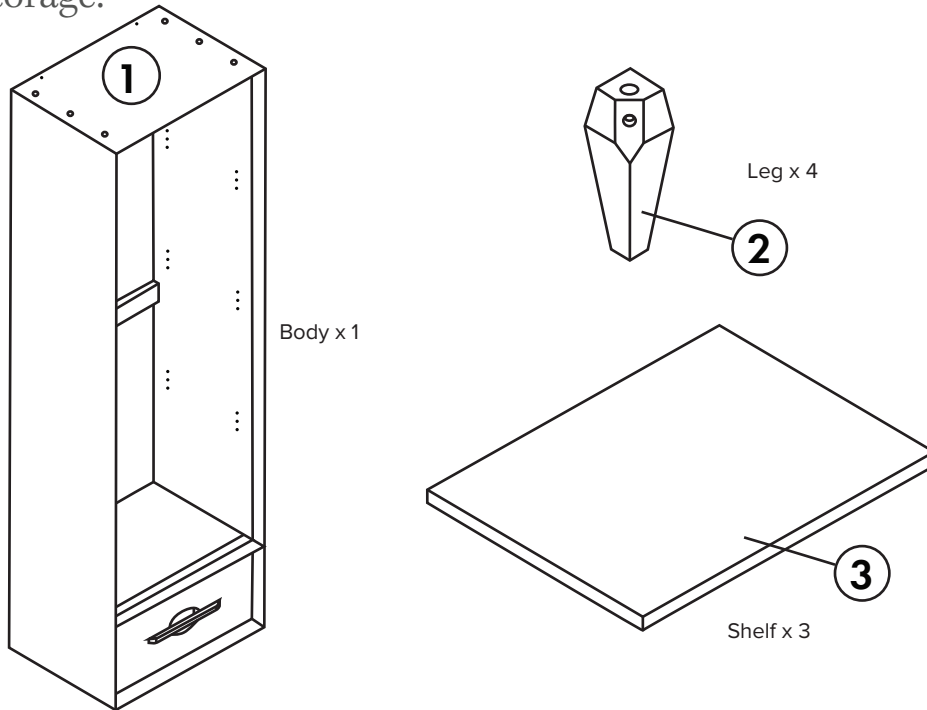


ASSEMBLY GUIDE

Hans Narrow Bookcase

Components

Upon unpacking your storage from it's delivery box, you should have the separate pieces shown below. Follow the steps on the next pages to assemble your new storage.



Hardware



A x 4
(Cross Dowel)



B x 4
(Threaded Bolt)



C x 4
(Washer)



D x 4
(Lock Washer)



E x 4
(Hex Nut)



F x 1
(Spanner)



G x 4
(Shelf Support)



aa x 2
(Mounting Plate)

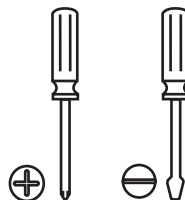
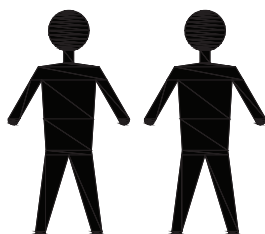


bb x 1
(Nylon Strap)



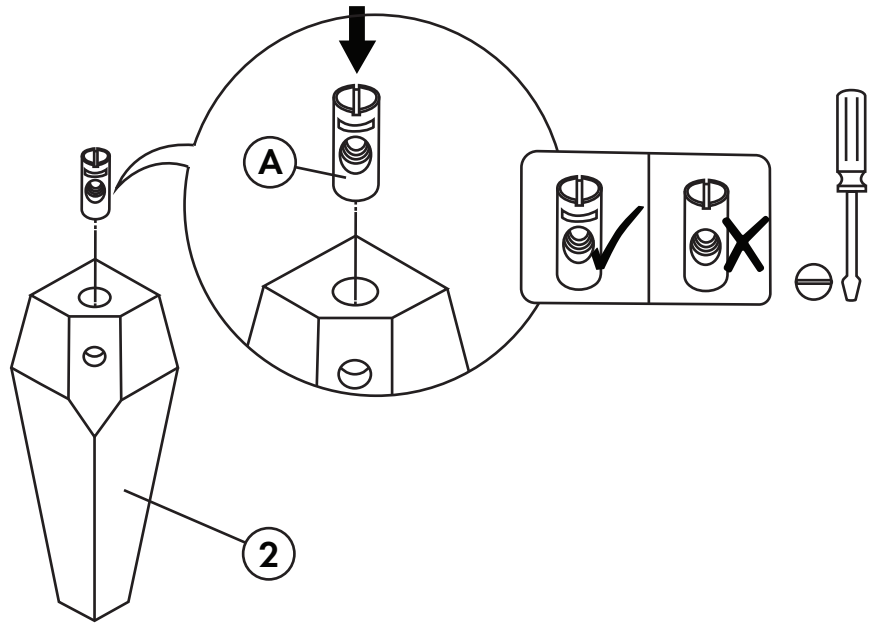
cc x 2
(Screw)

What you need



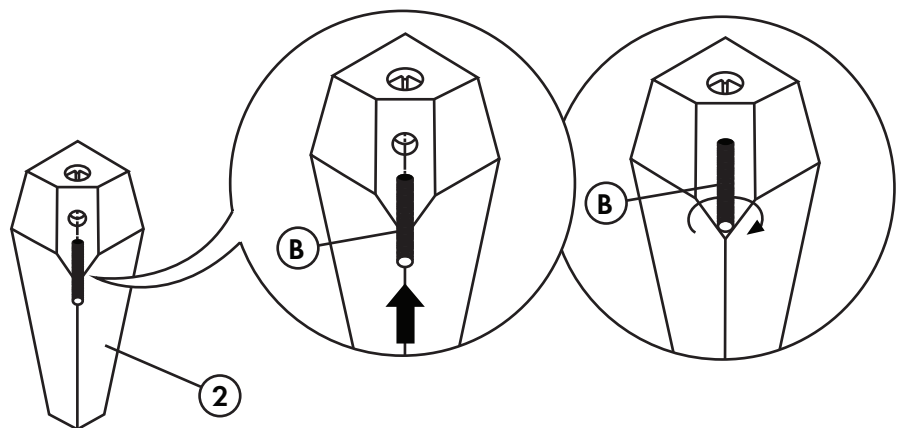
Step 1

Insert the cross dowel (A) into the top hole of the leg (2) so that the side marker faces the bolt hole. Repeat for all four legs.



Step 2

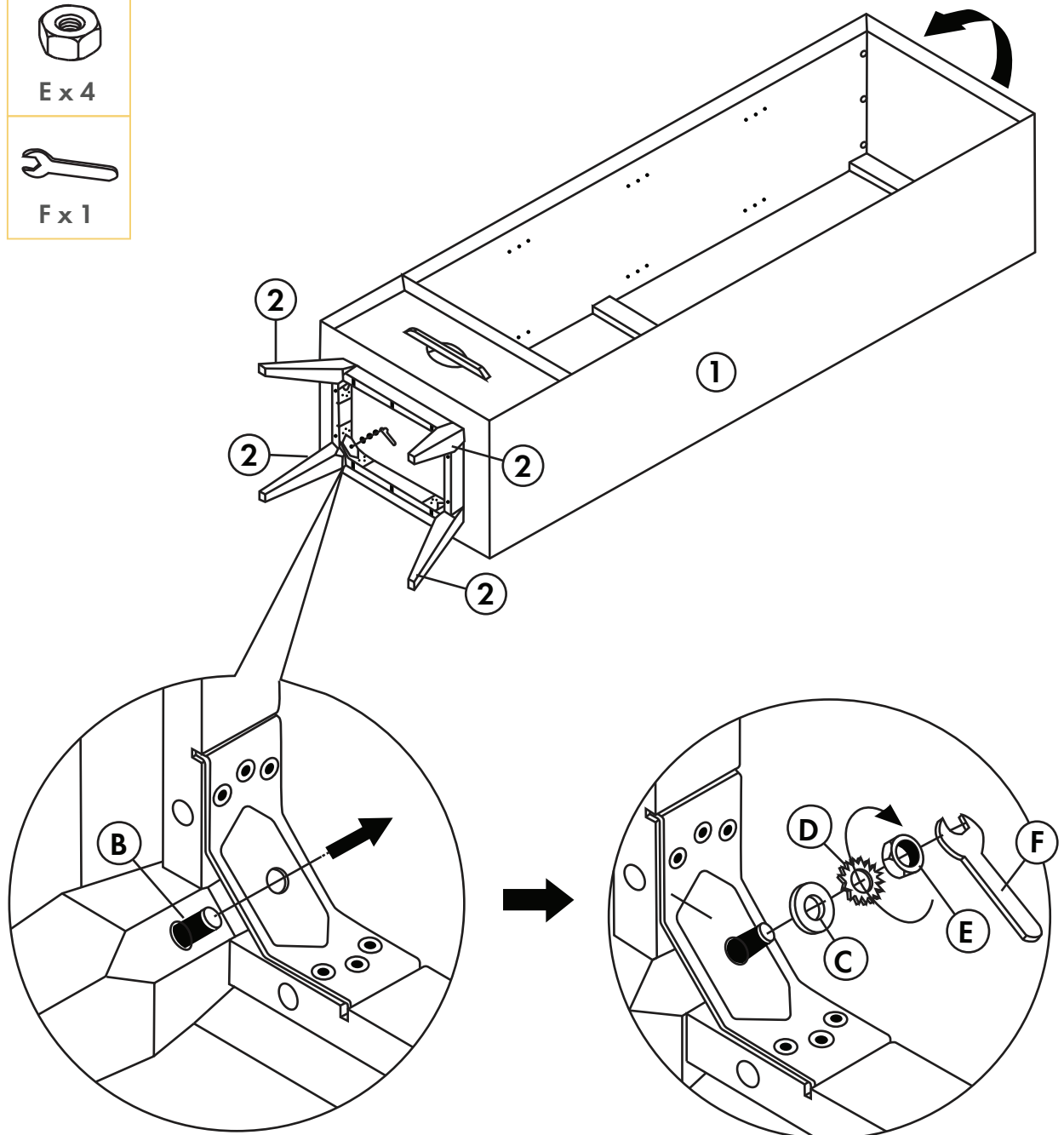
Screw the threaded bolt (B) into the corner hole. Repeat for all four legs.



Step 3

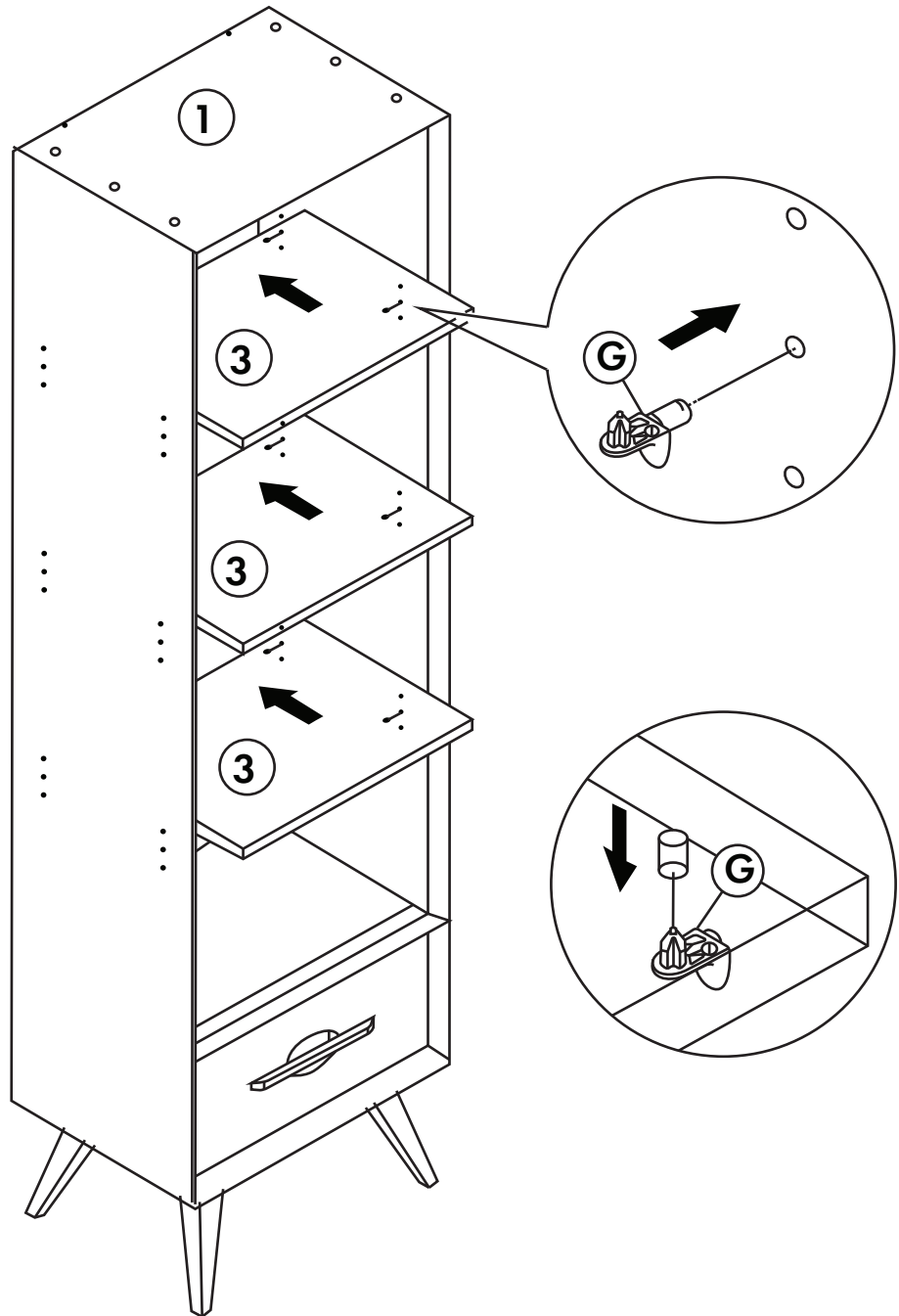
Place the storage body (1) on on it's back. Insert a leg construction formed in previous steps (2) into a corner opening. Fit a washer (C), a lock washer (D) then a hex nut (E) to the threaded bold and tighten with the spanner (F). Repeat for the remaining legs. With help of the assistant, carefully stand the unit uptight.

- 
C x 4
- 
D x 4
- 
E x 4
- 
F x 1



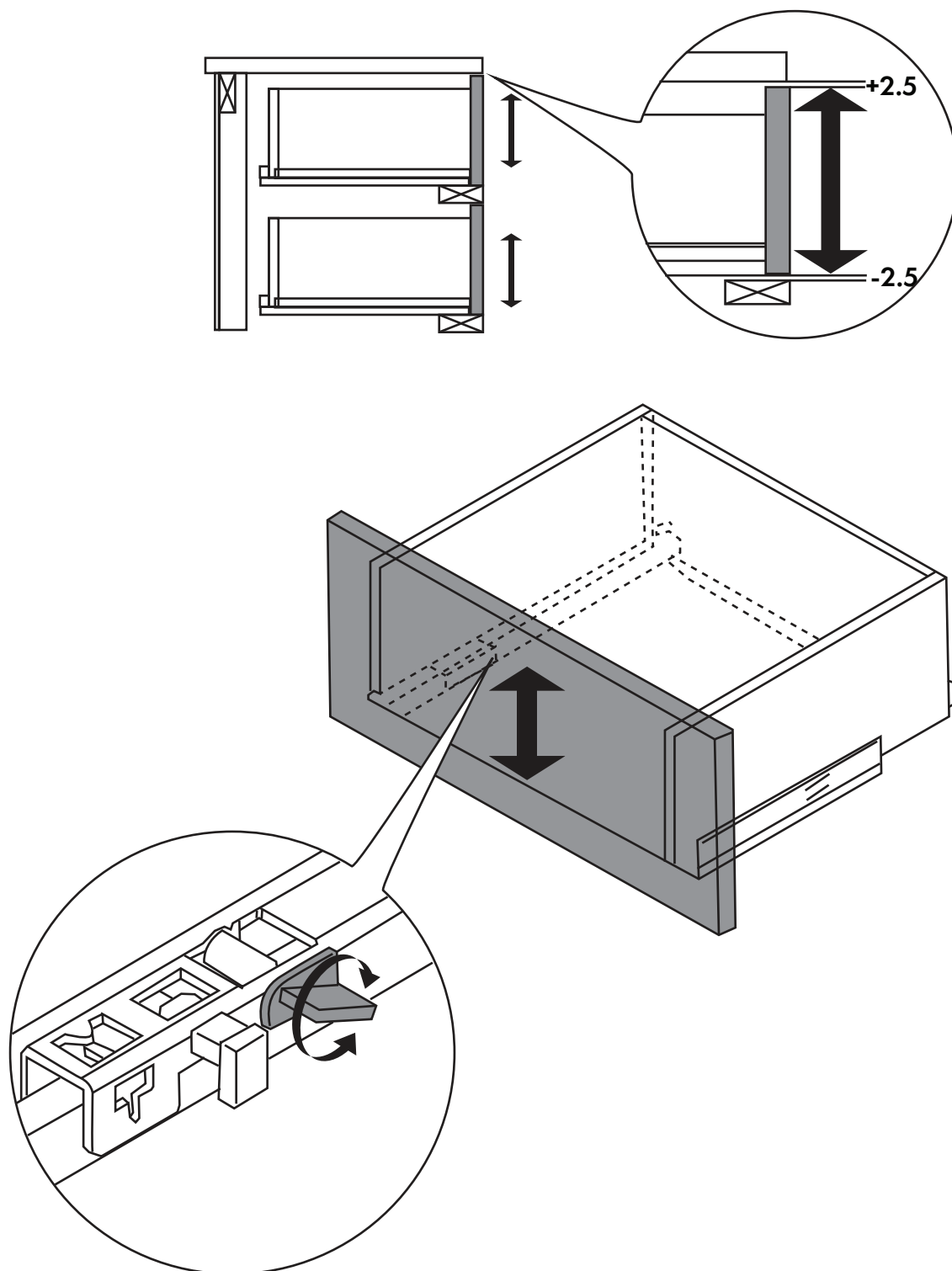
Step 4

Insert a pair of shelf supports (J) into the holes of the storage compartment. Make sure that all supports are on the same level. Insert the shelf (4) into the opening. Lower the shelf until it rests securely on all four supports. Repeat for remaining shelves.



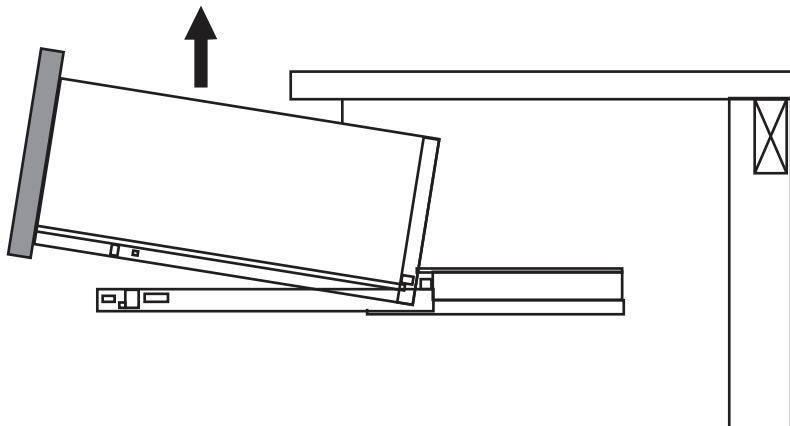
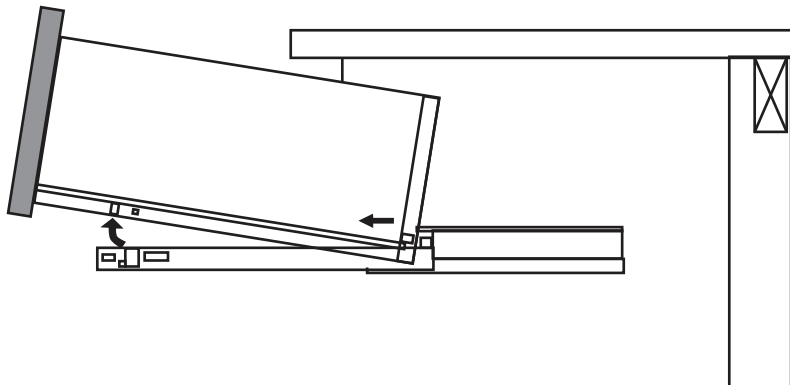
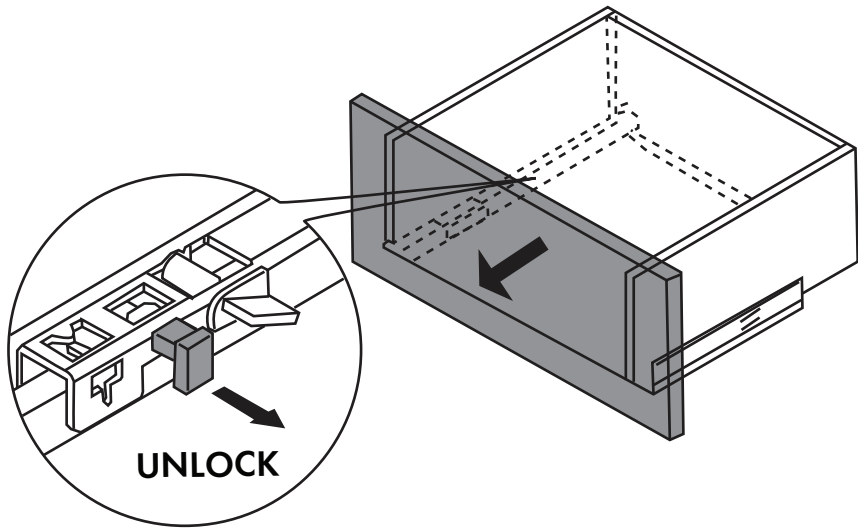
Step 5

Turn the twist inside of the drawer to adjust its vertical position, so that there are equal gaps above and below the front wall.



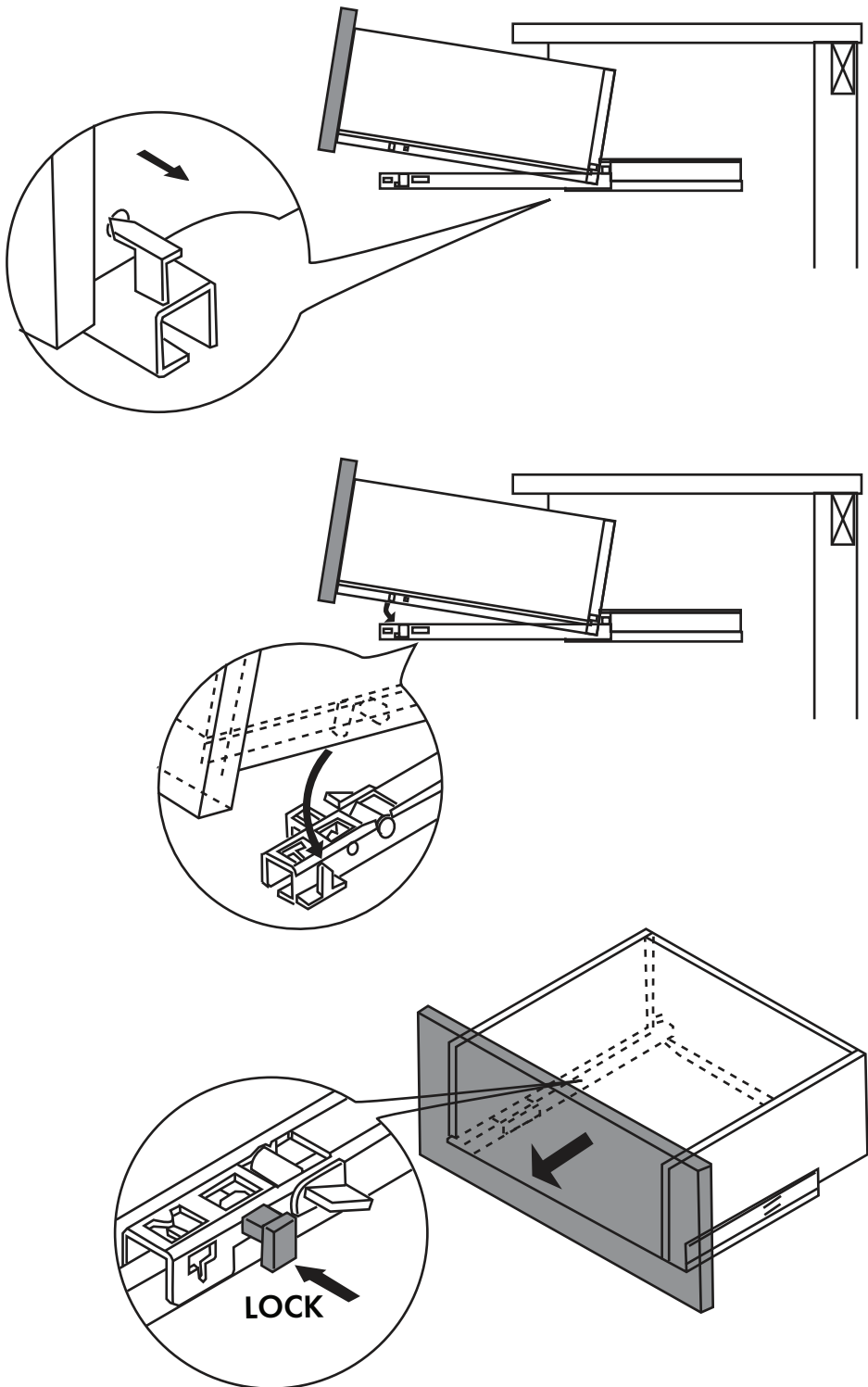
Step 6

To take the drawer out, open it, pull out the Lock button inside of the drawer. Gently lift the front part of of the drawer.



Step 7

To put the drawer back in, attach the connector in the back of the drawer. Gently put down the front part of the drawer so that the front connectors attach. Push back the Lock button inside of the drawer.



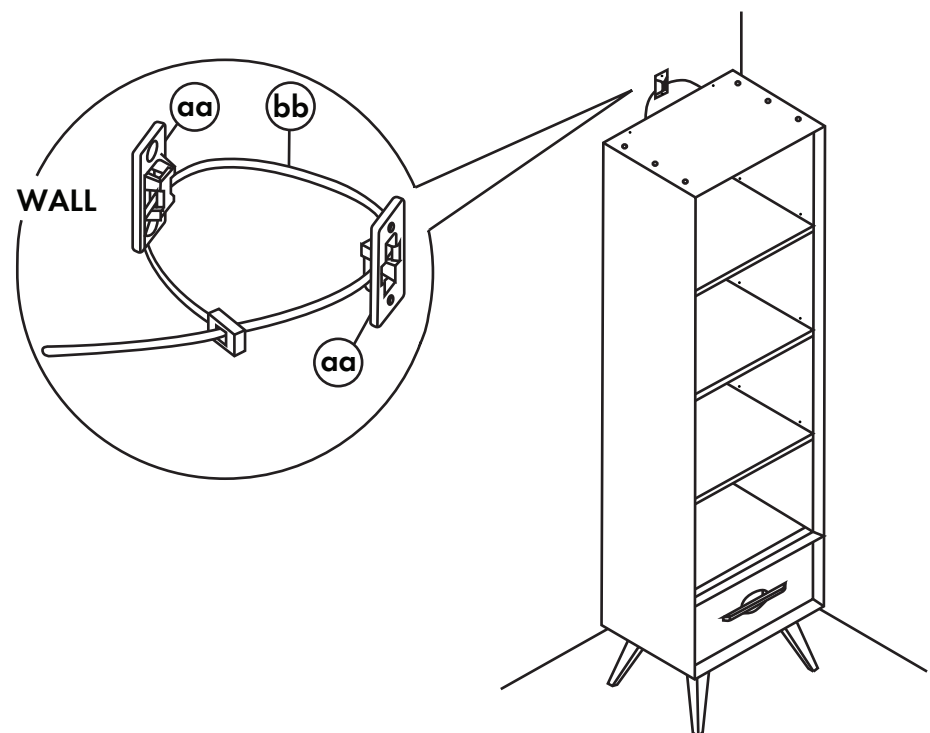
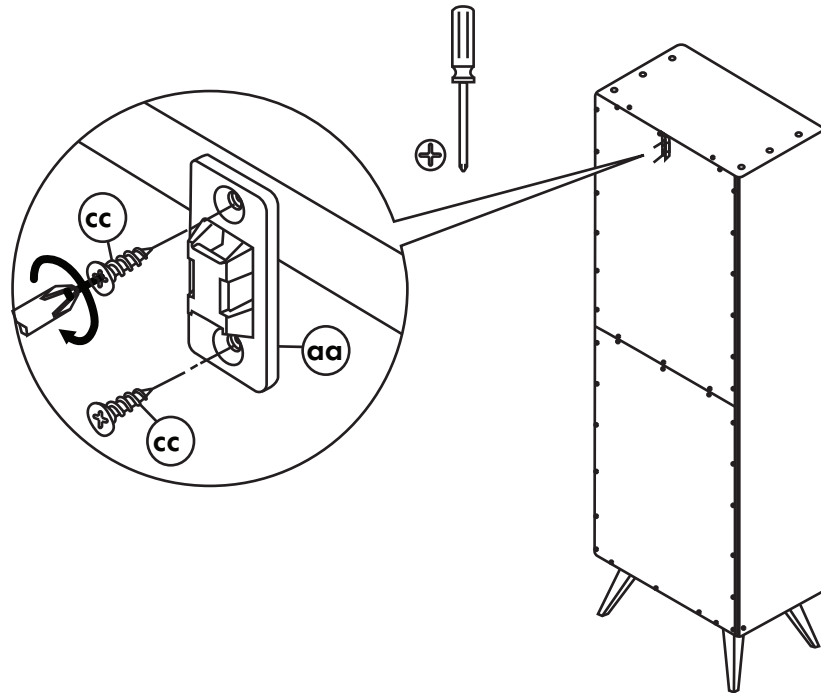
Step 8

Fix a mounting plate (aa) to the back of the storage using flat head screws (cc).

By using appropriate fastener based upon wall composition, fix another mounting plate (aa) to the wall.

Connect two plates with the nylon strap (bb).

Tighten the strap so that the table is fixed in the place.



Step 9

Enjoy your new storage!

