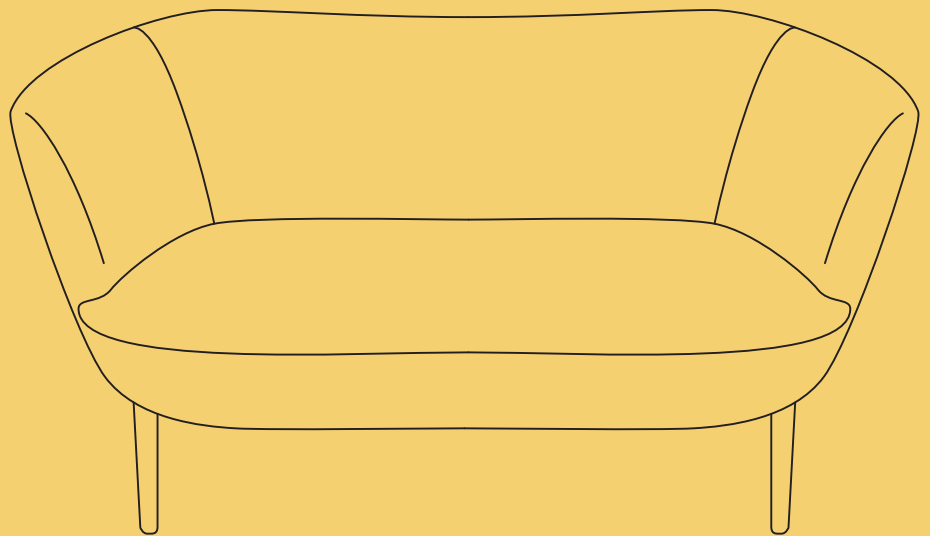


v1.0

BROSA

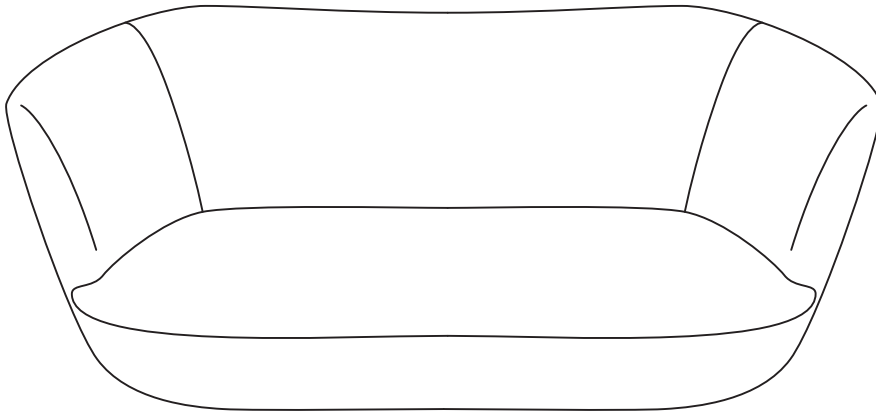


ASSEMBLY GUIDE

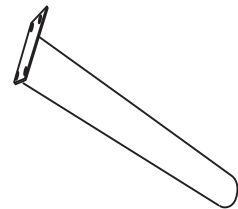
Nora Loveseat

Components

Upon unpacking your sofa from its delivery box, you should have the separate pieces shown below. Follow the steps on the next pages to assemble your new sofa.



Body x 1



A x 4 (Leg)

Hardware



B x 12
(Bolt)



C x 12
(Spring Washer)

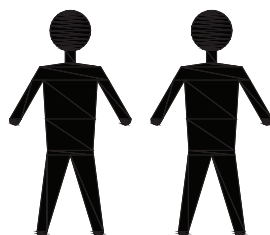


D x 12
(Washer)



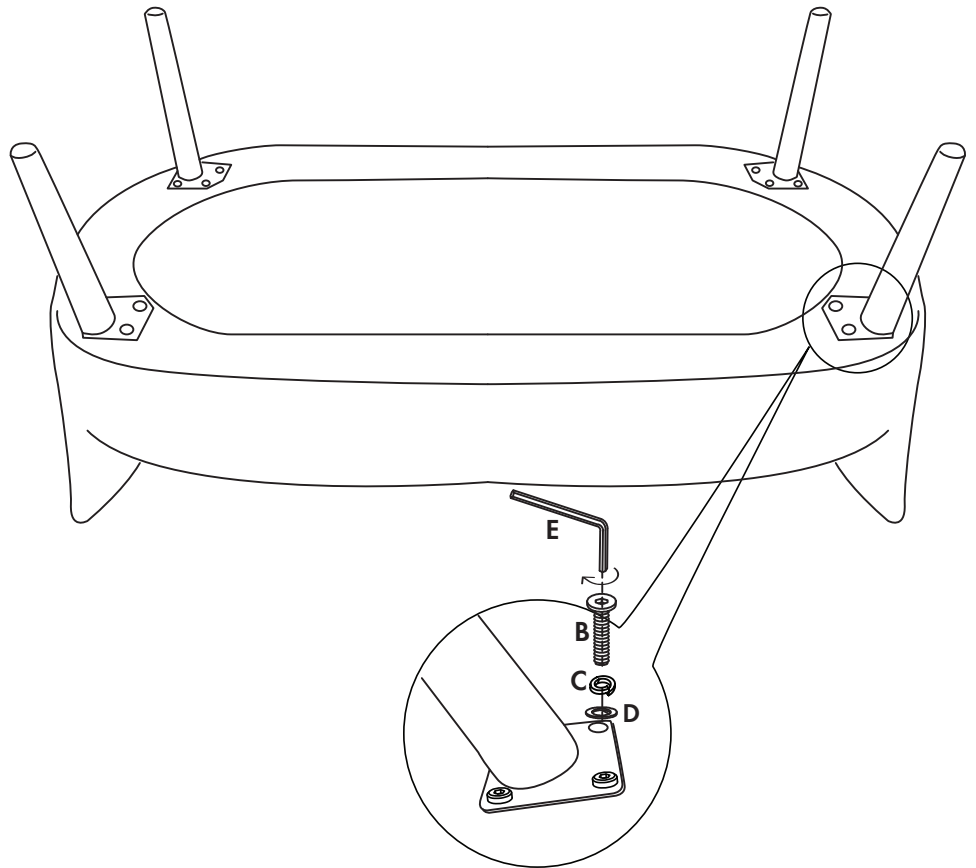
E x 1
(Allen Key)

What you need



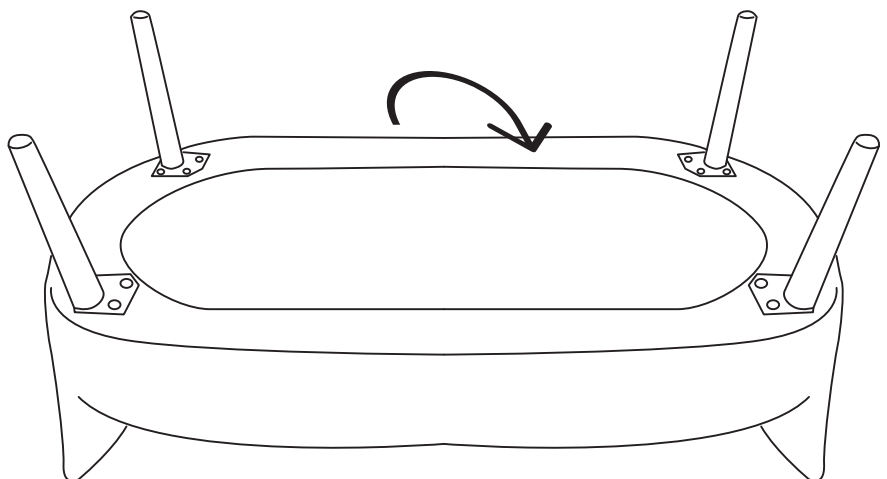
Step 1

Align a leg (A) to the underside of the body so that the bolt holes are overlapping. Fit a spring washer (C), then a flat washer (D) to a bolt (B) and screw into a hole using allen key (E). Repeat for the other bolts to secure the leg in place. Repeat for the remaining legs.



Step 2

With help of a partner lift the sofa off the ground and turn it upright placing it firmly down.



Step 3

Place the sofa on a flat surface and enjoy your new sofa!

