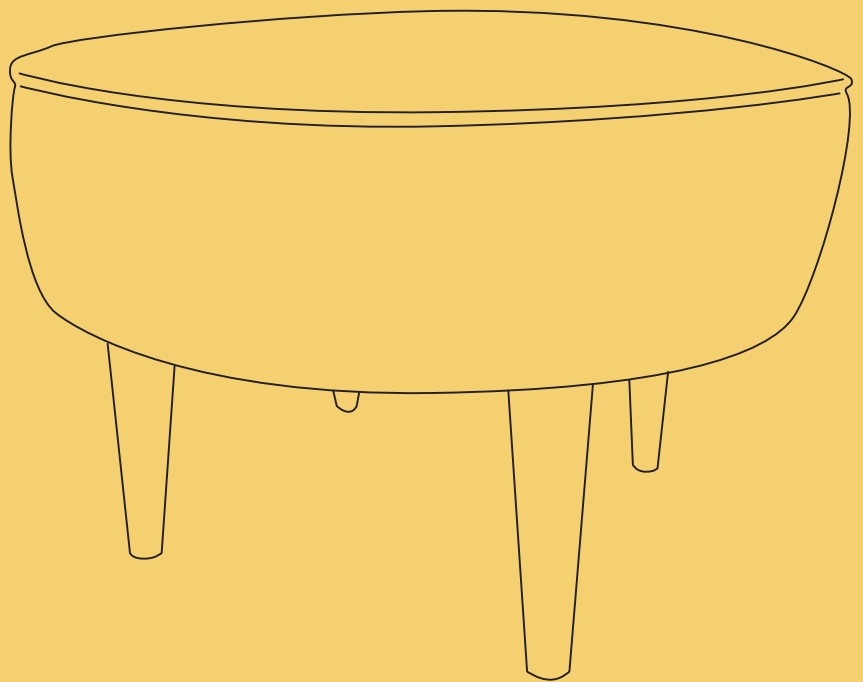


v1.0

# BROSA

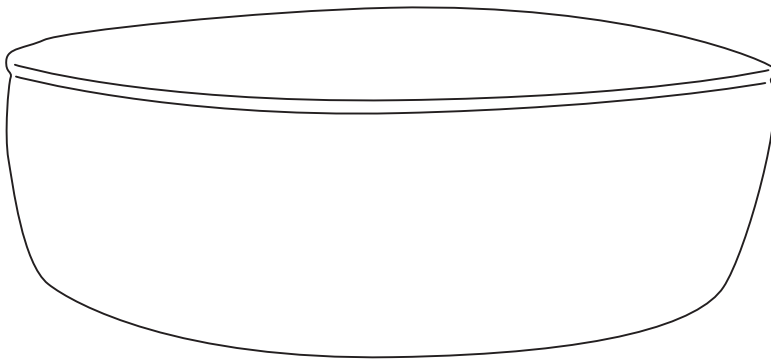


**ASSEMBLY GUIDE**

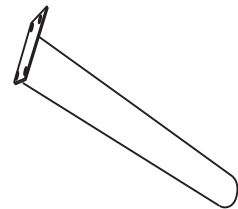
# Nora Ottoman

# Components

Upon unpacking your ottoman from its delivery box, you should have the separate pieces shown below. Follow the steps on the next pages to assemble your new ottoman.



Body x 1



A x 4 (Leg)

## Hardware



B x 12  
(Bolt)



C x 12  
(Spring Washer)

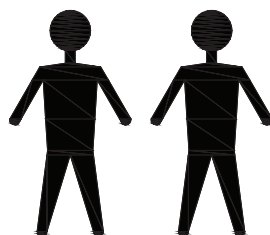


D x 12  
(Washer)



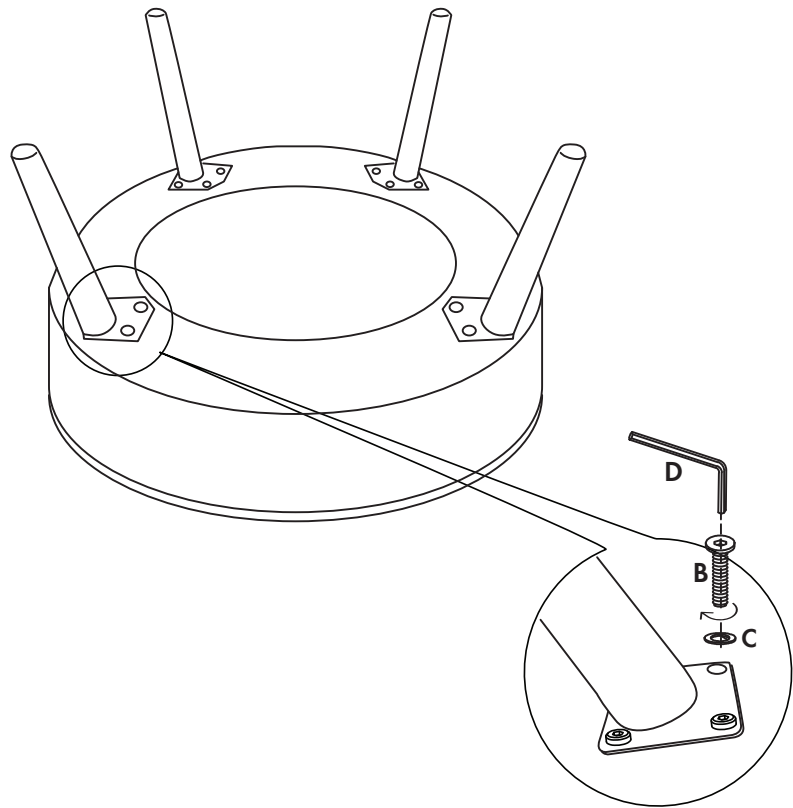
E x 1  
(Allen Key)

## What you need



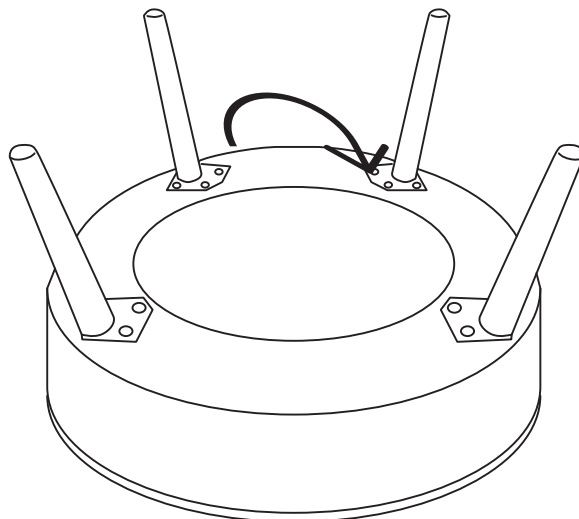
# Step 1

Align a leg (A) to the underside of the body so that the bolt holes are overlapping. Fit a spring washer (C), then a flat washer (D) to a bolt (B) and screw into a hole using allen key (E). Repeat for the other bolts to secure the leg in place. Repeat for the remaining legs.



# Step 2

Lift the ottoman off the ground and turn it upright placing it firmly down.



# Step 3

Place the ottoman on a flat surface and enjoy your new ottoman!

