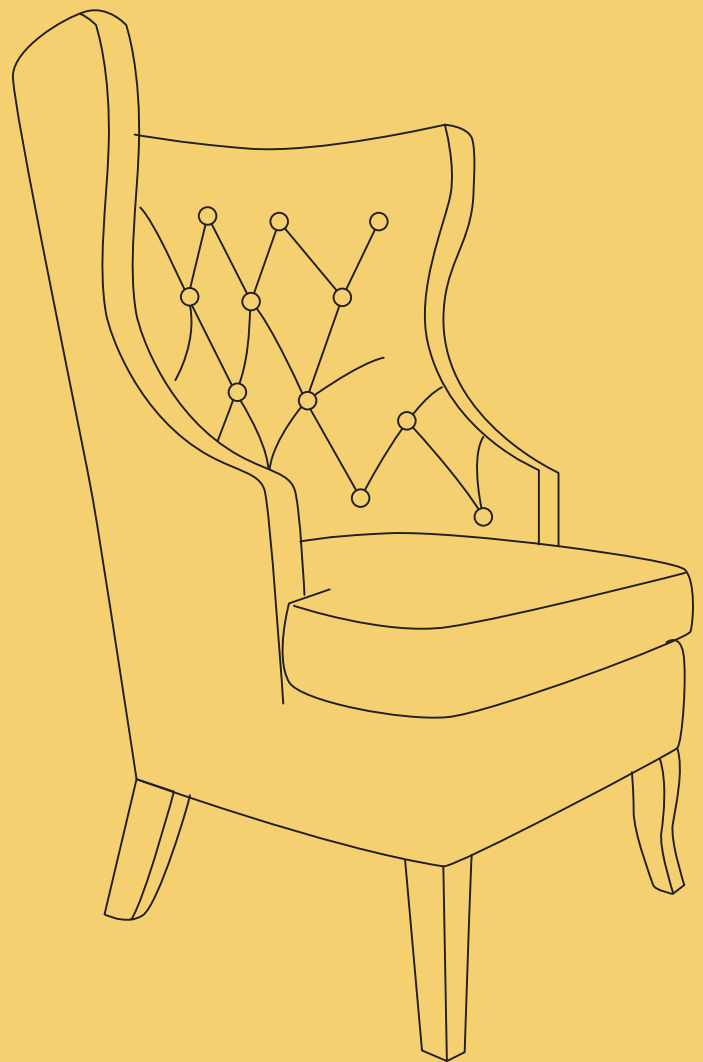


v1.0

# BROSA

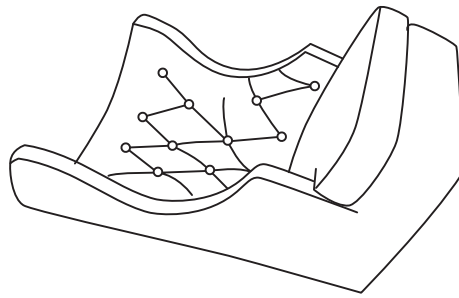


**ASSEMBLY GUIDE**

**Pau Armchair**

# Components

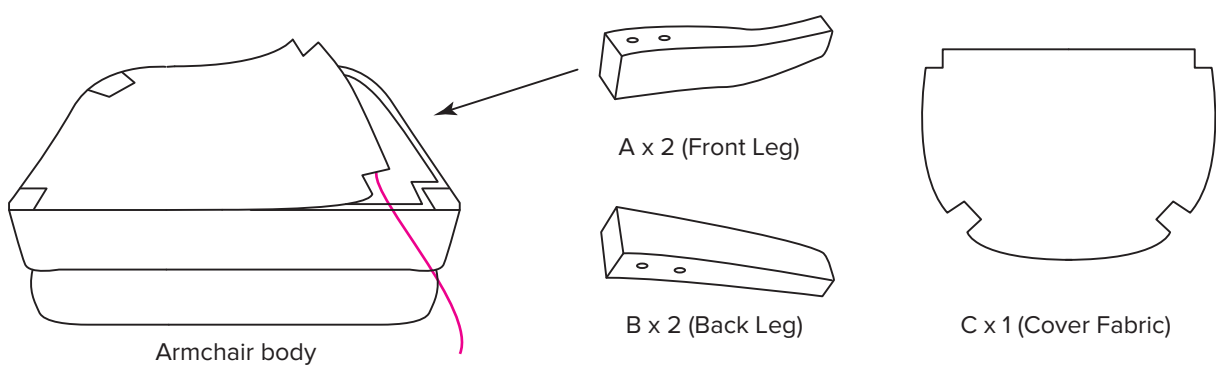
Upon unpacking your armchair from its delivery box, you should have the body of the armchair. Additional components are packed inside the body, you will learn how to access and utilise these components in the next steps.



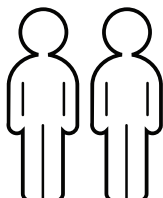
Armchair body

# Unpacking

Turn the armchair body so that the underside is facing you. Follow the coloured string to the component compartment. Open this and take out the additional components.



## What you need



## Hardware



D x 1



E x 8

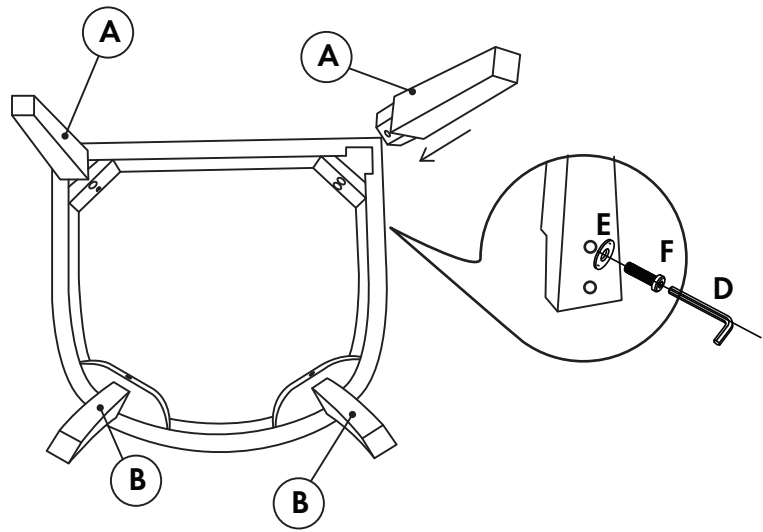


F x 8

# Step 1

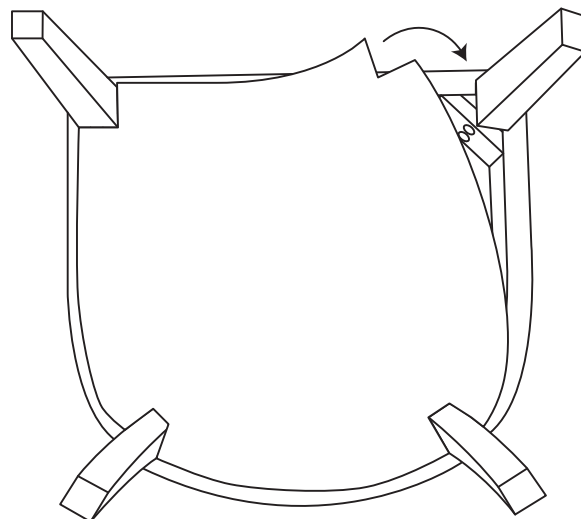


Place the armchair body on a level surface with the bottom side facing up. Place a back leg (B) into the back opening of the armchair, making sure the screw holes are aligned. Fit a washer (E) to a bolt (F) and screw into a hole using allen key (D). Repeat for the second bolt to secure the leg in its place. Repeat for the second back leg and then front legs (A).



# Step 2

Remove the protecting strip from the edge of the armchair and cover the bottom with the fabric (C).



# Step 3

Gently lift the armchair and place upright on a level surface. Enjoy your new armchair!

