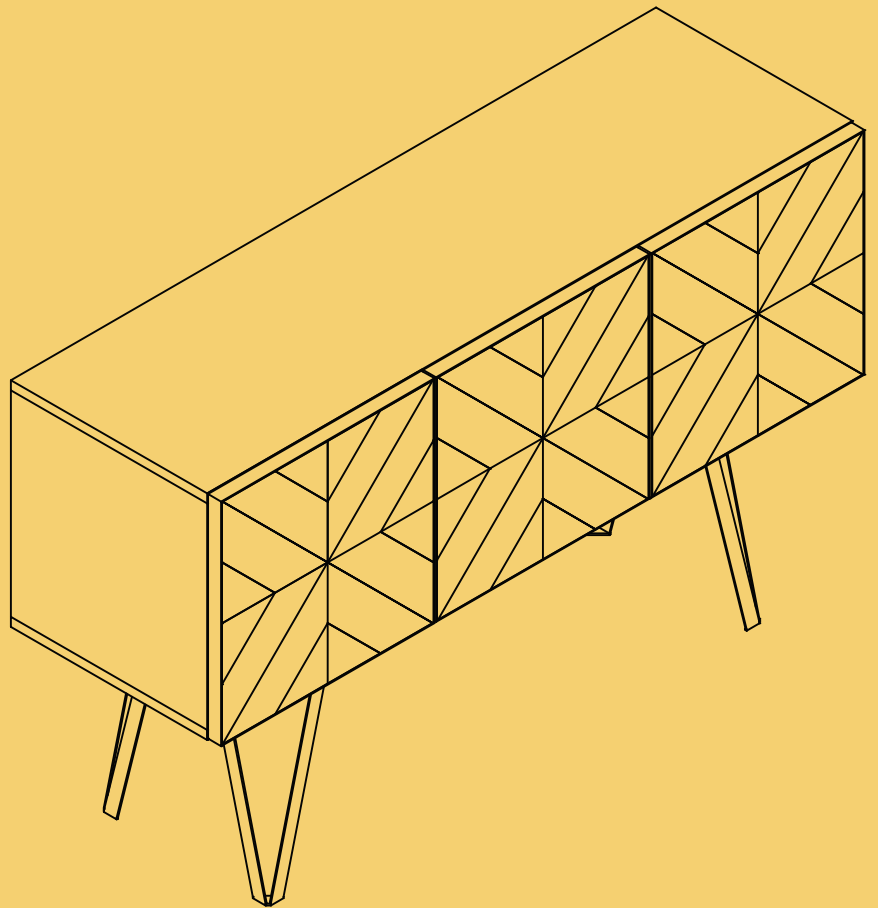


v2.0

BROSA



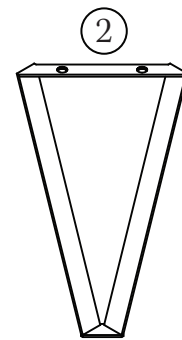
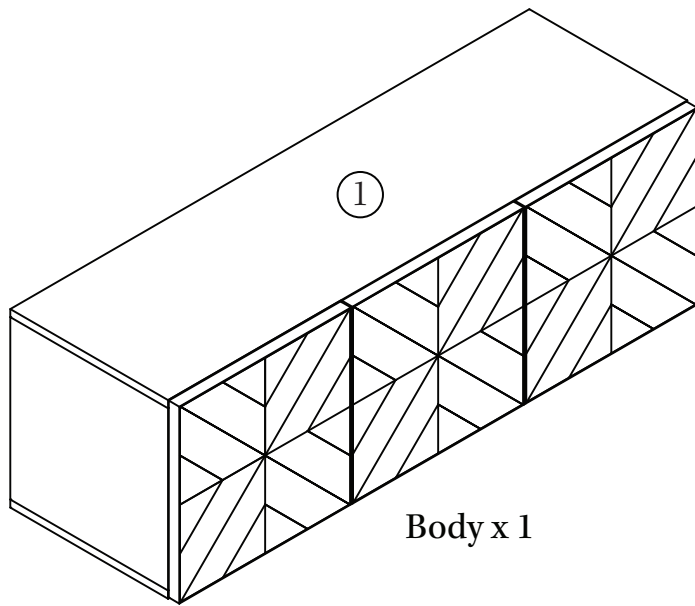
ASSEMBLY GUIDE

Conrad Large Sideboard

Components

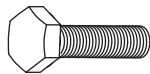
Before you get started, check you have all of the pieces below. If anything's missing, please visit

www.brosa.com.au/pages/product-return-and-parts-request and we'll sort it out right away.

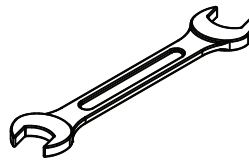


Leg x 4

Hardware

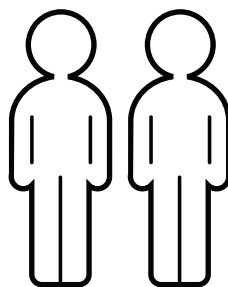


A x 8
(M12 x 20mm)



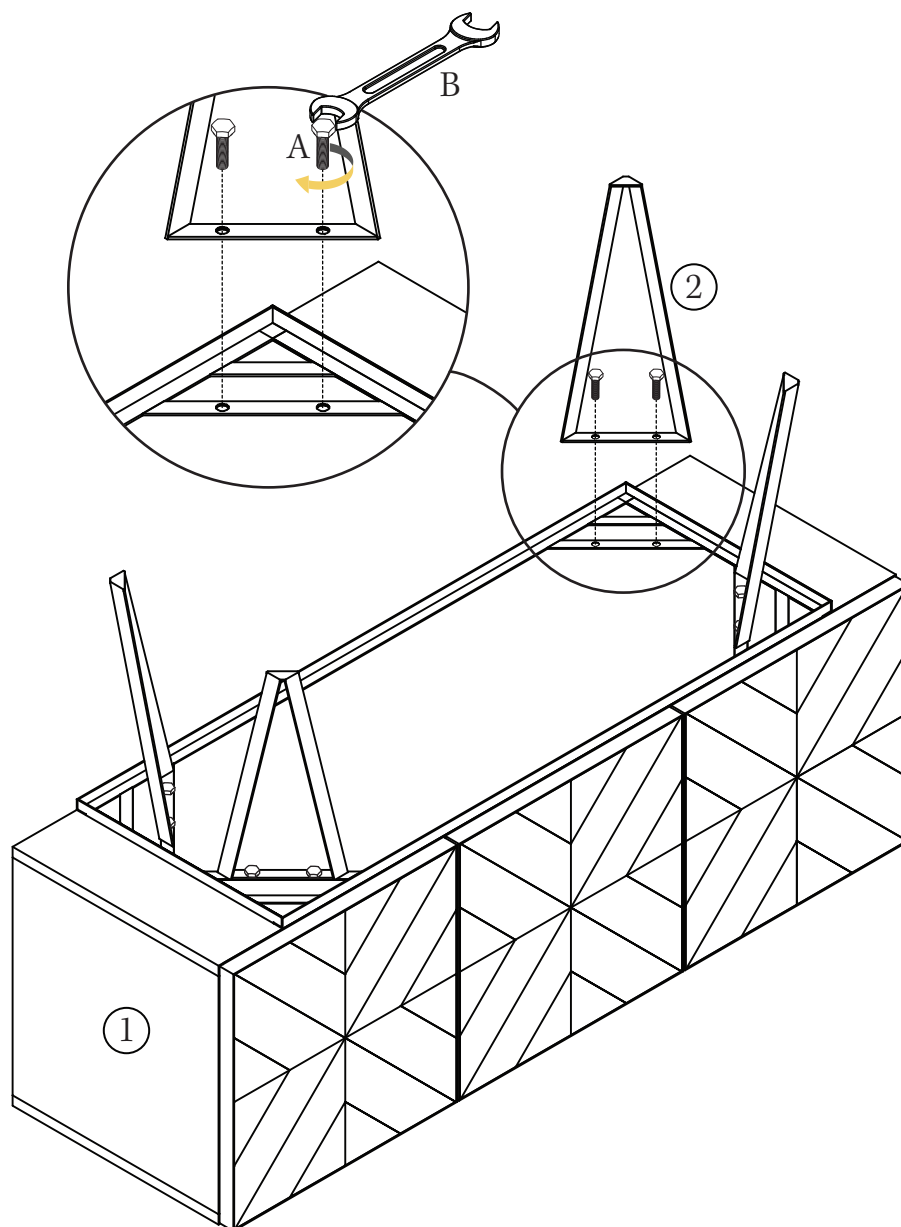
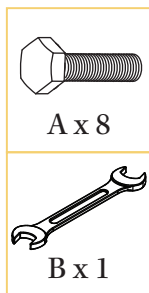
B x 1
(M12)

What you need



Step 1

Align a leg (2) with the underside of the body (1) so that the bolt holes overlap. Fit a bolt (A) into the hole and fix it with the spanner (B). Repeat the process for the remaining legs (2).



Step 2

Gently lift the sideboard and place upright on a level surface. Enjoy your new sideboard!

