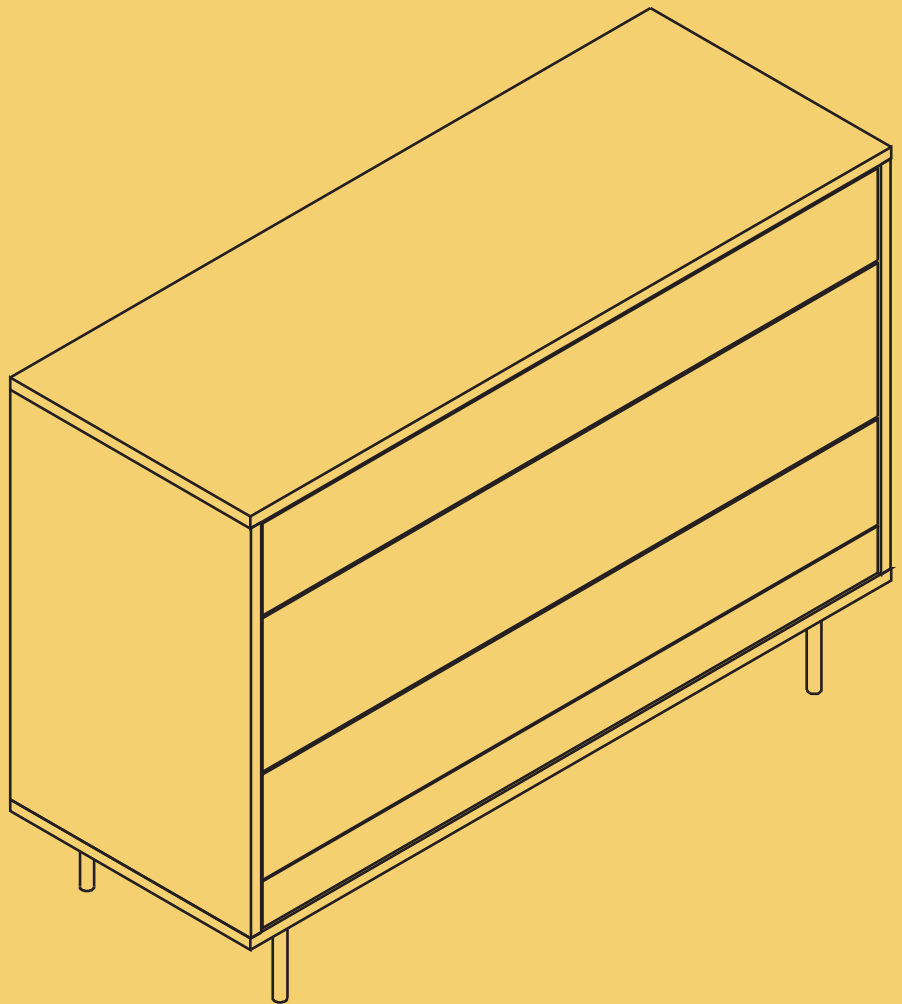


v1.0

# BROSA

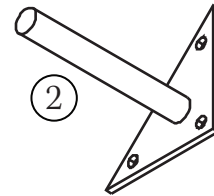
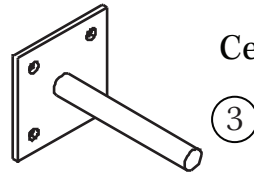
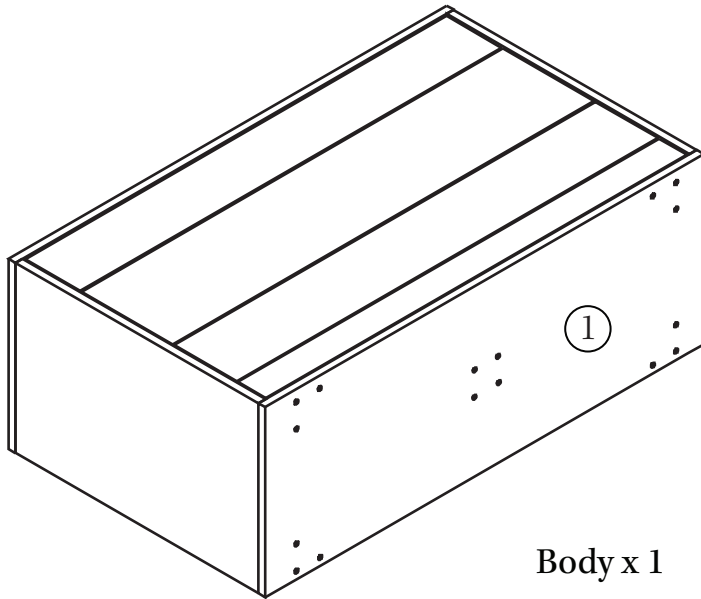


**ASSEMBLY GUIDE**

## Prato Chest of Drawers

# Components

Before you get started, check you have all of the pieces below. If anything's missing, please visit [www.brosa.com.au/pages/product-return-and-parts-request](http://www.brosa.com.au/pages/product-return-and-parts-request) and we'll sort it out right away.



## Hardware



A x 16  
(Spec: M6x15)



B x 16  
(Spec: 8x14)

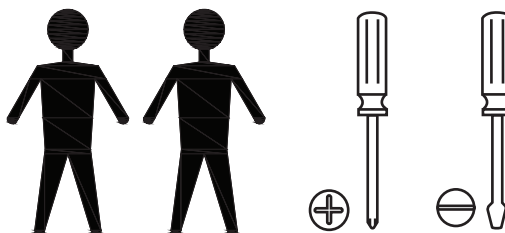


C x 5  
(Spec: 15)



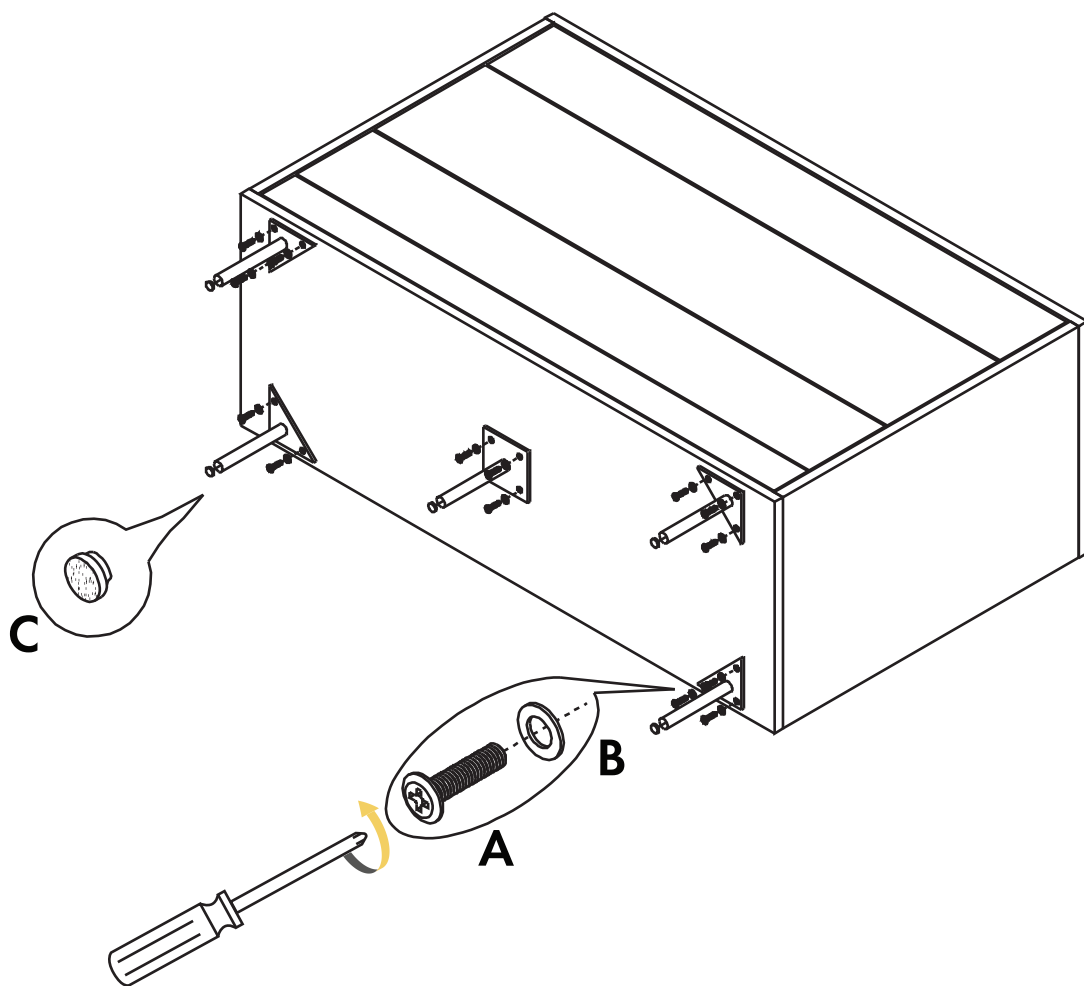
D x 30

## What you need



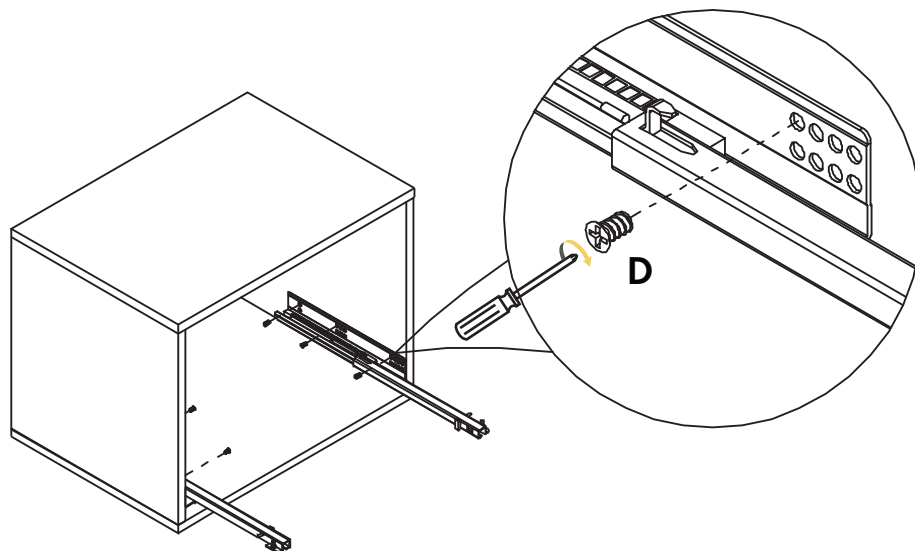
# Step 1

Align a leg to the underside of the body so that the screw holes are overlapping. Fit a washer (B) to a bolt (A) and screw into a hole using a screwdriver. Repeat for the other legs and the central leg. Peel off the sticker paper and cover end of the legs with the trim caps (C). With another person, lift the storage off the ground and place it upright on a level surface.



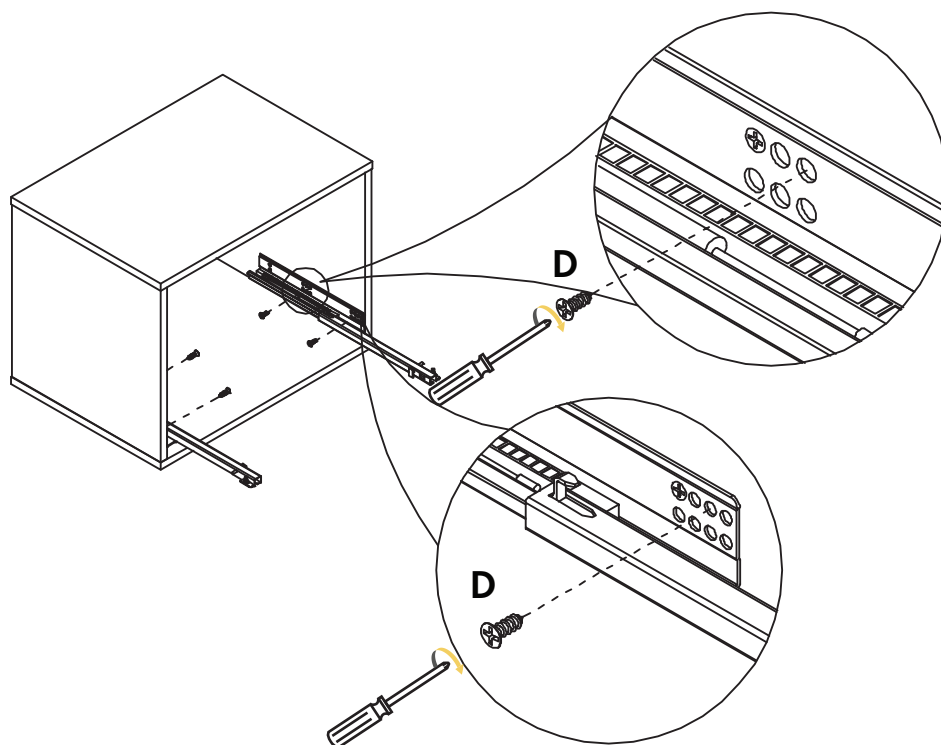
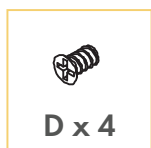
# Step 2

Align the drawer slides to the corresponding holes on the side walls. Secure into place using small screws (H).



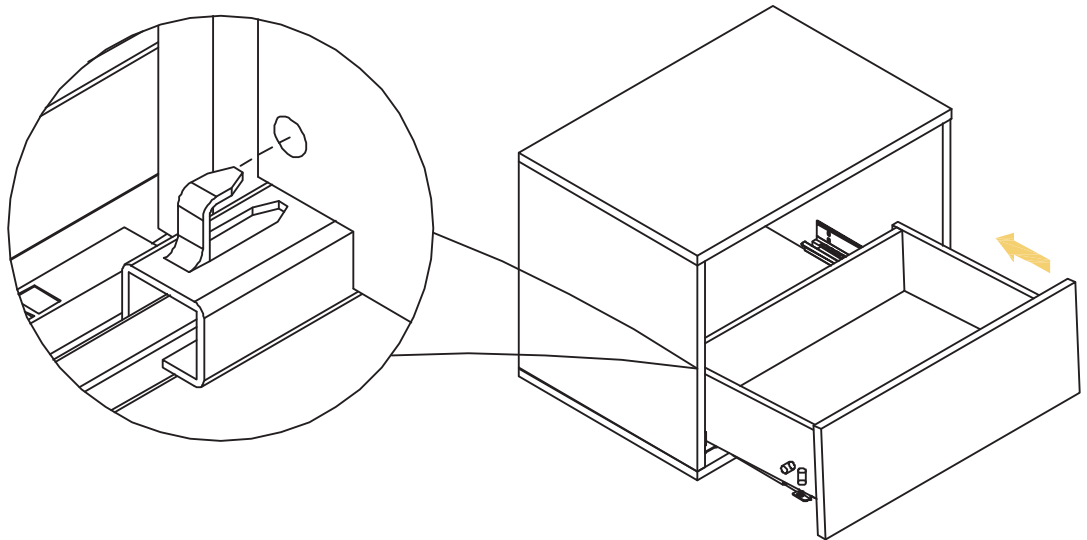
# Step 3

Continue using the screws to secure the slides.



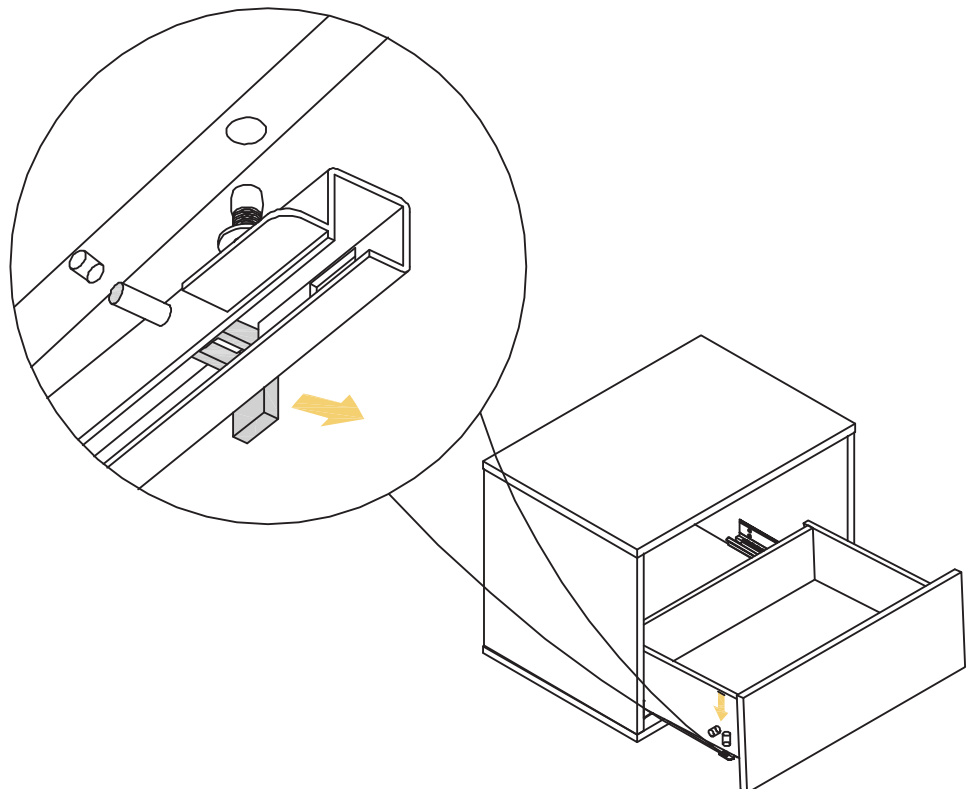
# Step 4

Align the end hole on the drawer with the hook on the slide and insert the drawer halfway into the cabinet.



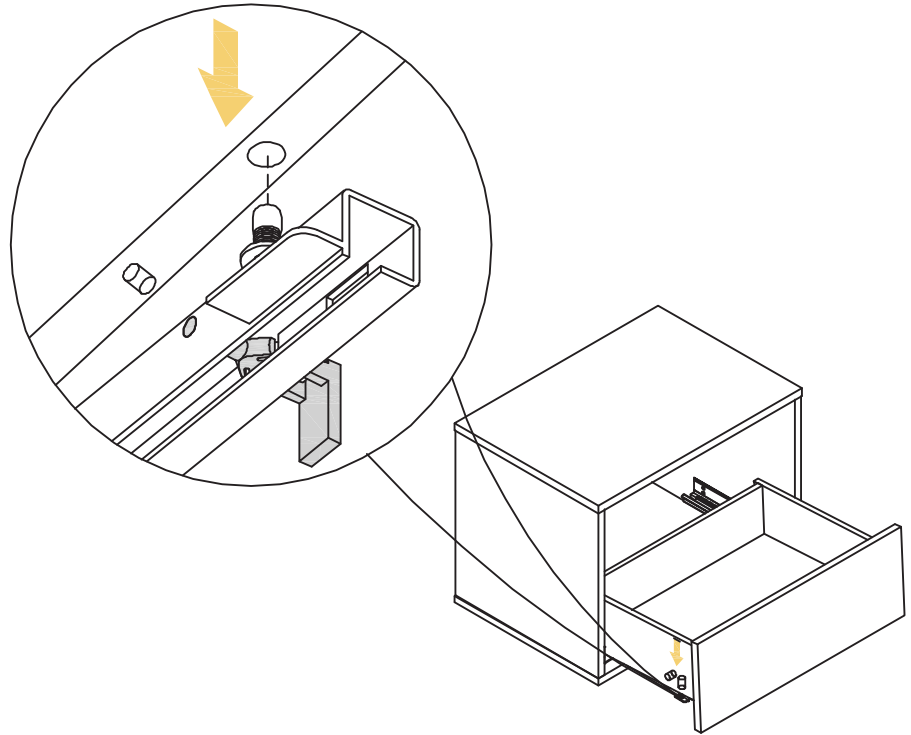
# Step 5

Pull the side lock out.



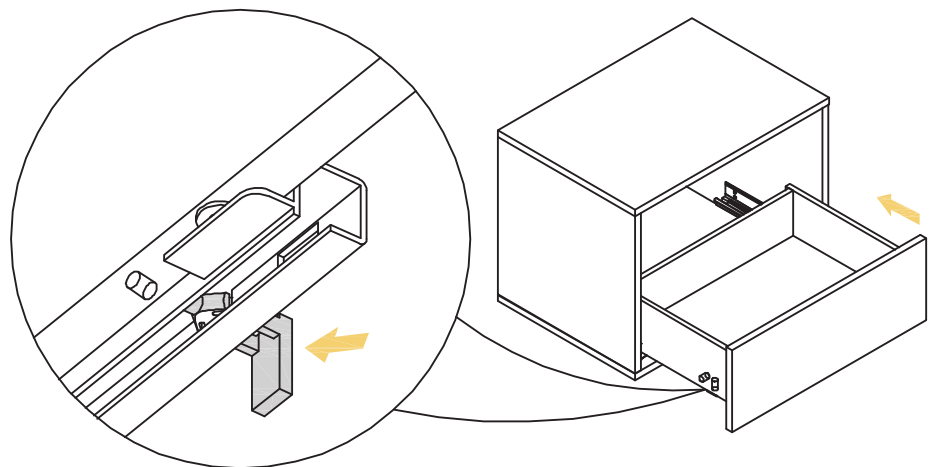
# Step 6

Align the vertical knob on the slide with the hole on the drawer and lift the drawer down.



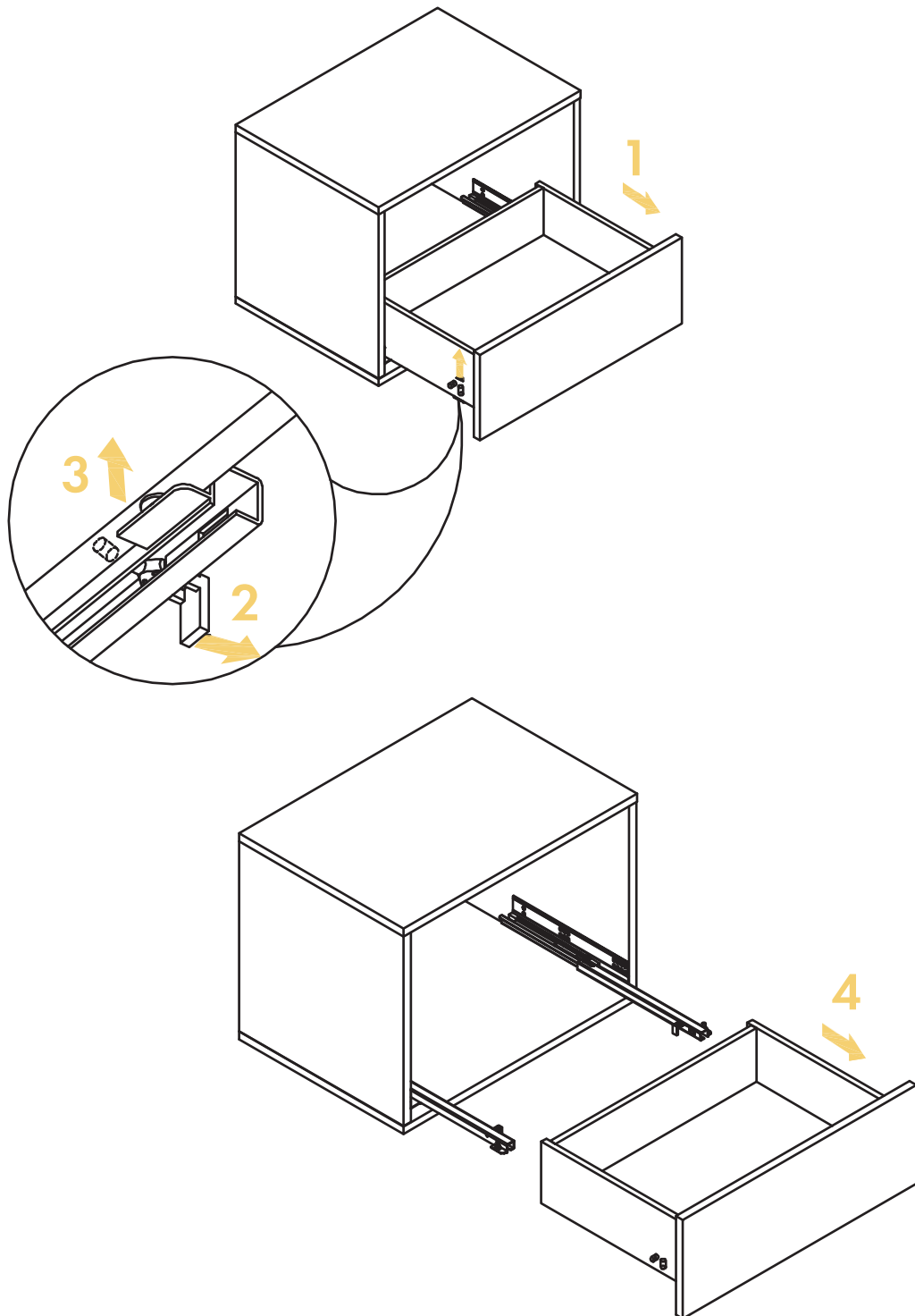
# Step 7

Pull back the side lock to fix the drawer on the slide and close the drawer.



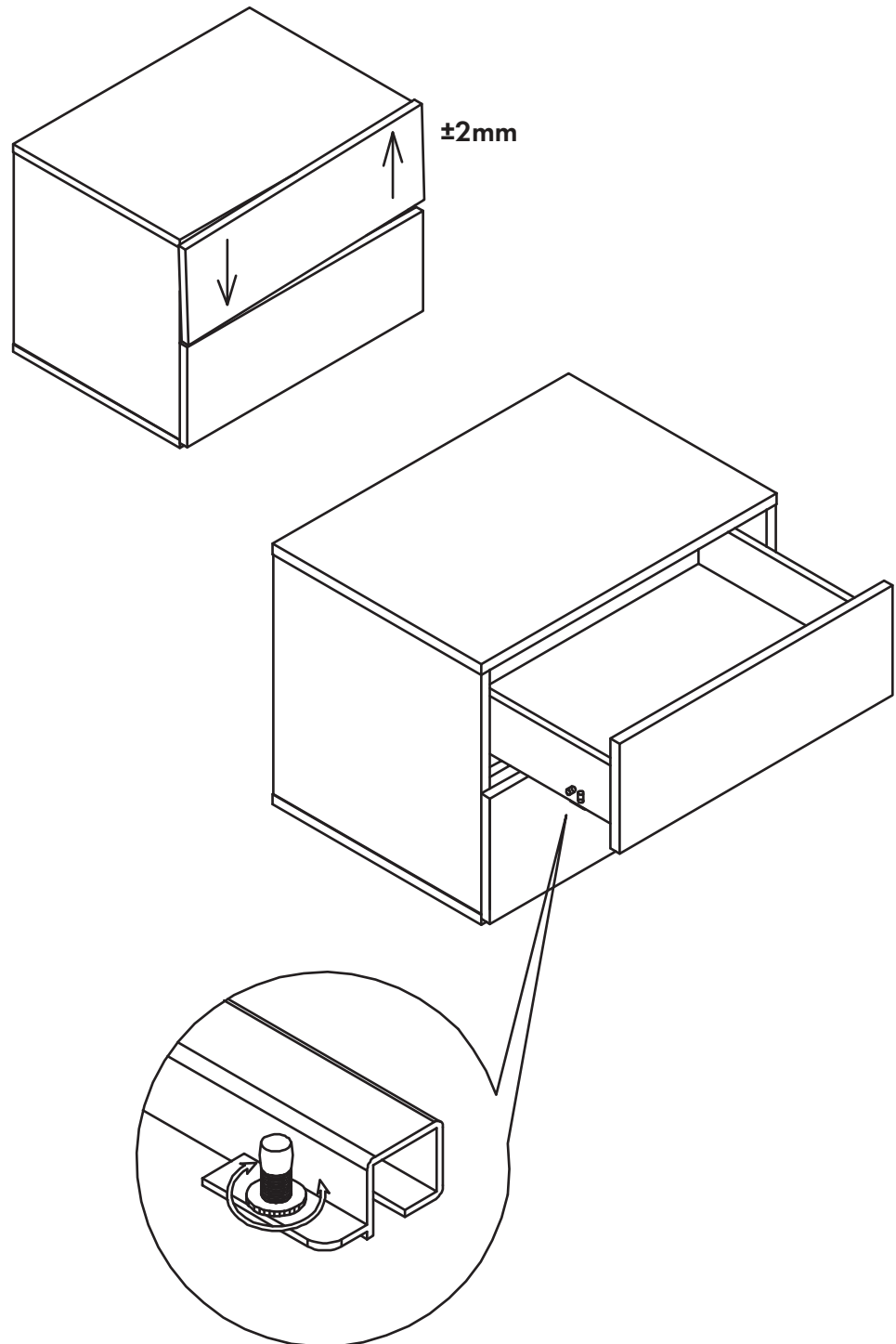
# Step 8

Follow those steps to remove the drawer from the storage. Open the drawer, open the lock (2) to the side, pull the second lock (3) up and take out the drawer (4). Repeat the steps in reverse order to put the drawer back in it's place.



# Step 9

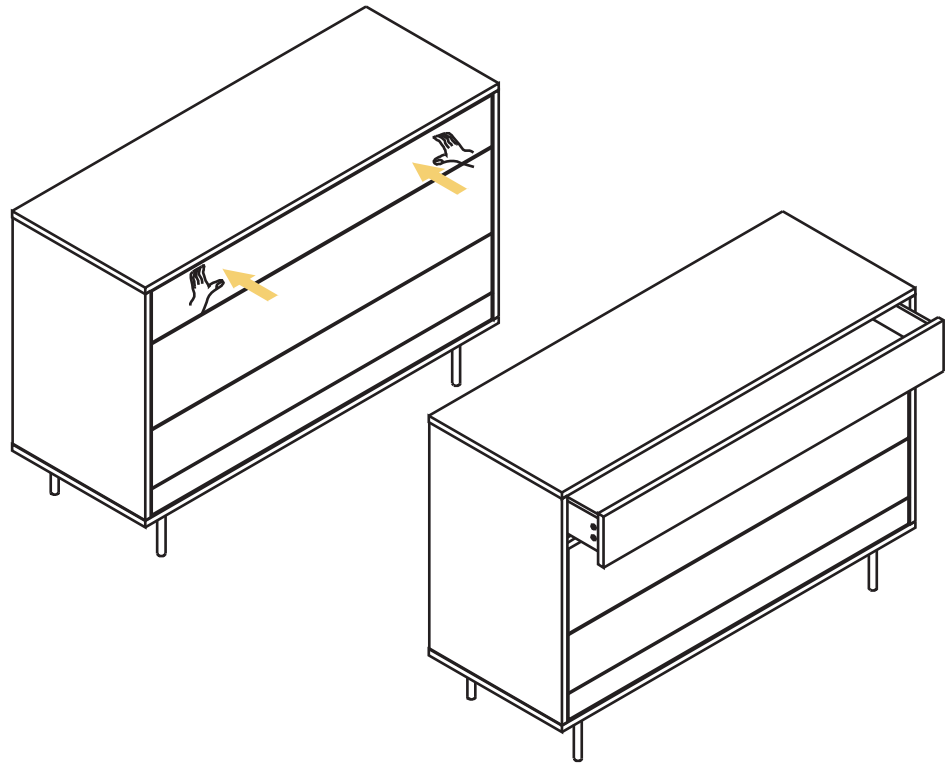
Rotate the knob on the side of the drawer to adjust the correct angle.





# Step 10

Use both hands to open and close the drawers.



# Step 11

Enjoy your new storage!

