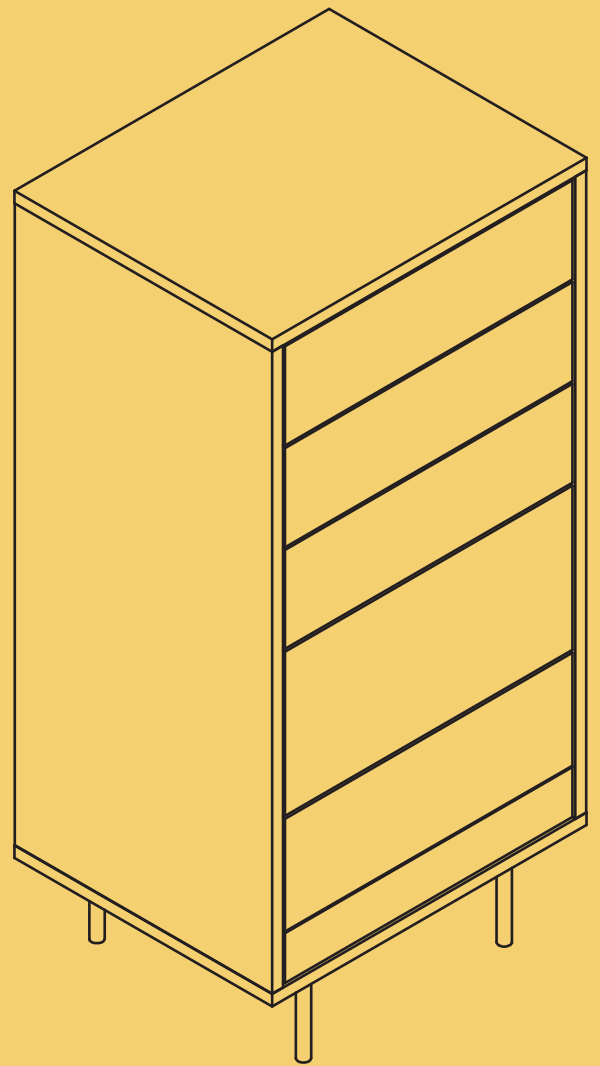


v1.0

BROSA

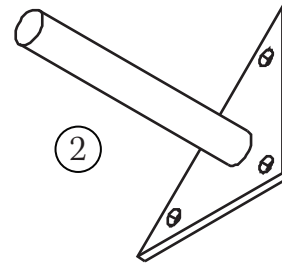
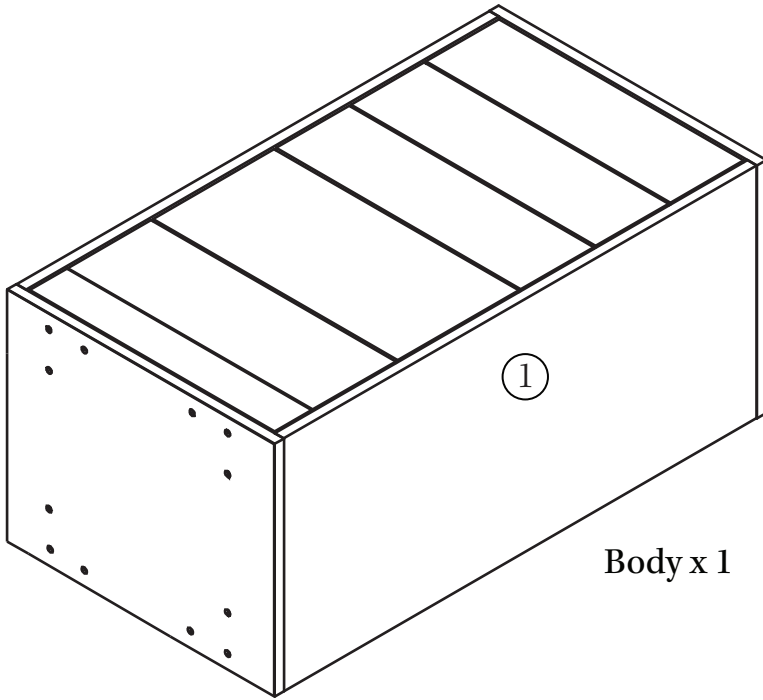


ASSEMBLY GUIDE

Prato Tall Boy

Components

Before you get started, check you have all of the pieces below. If anything's missing, please visit www.brosa.com.au/pages/product-return-and-parts-request and we'll sort it out right away.



Hardware



A x 12
(Spec: M6x15)

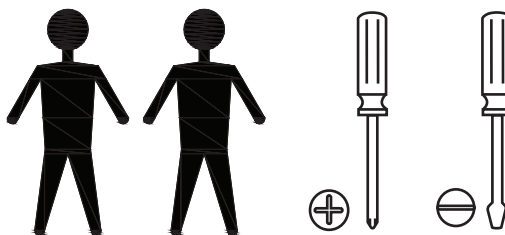


B x 12
(Spec: 8x14)



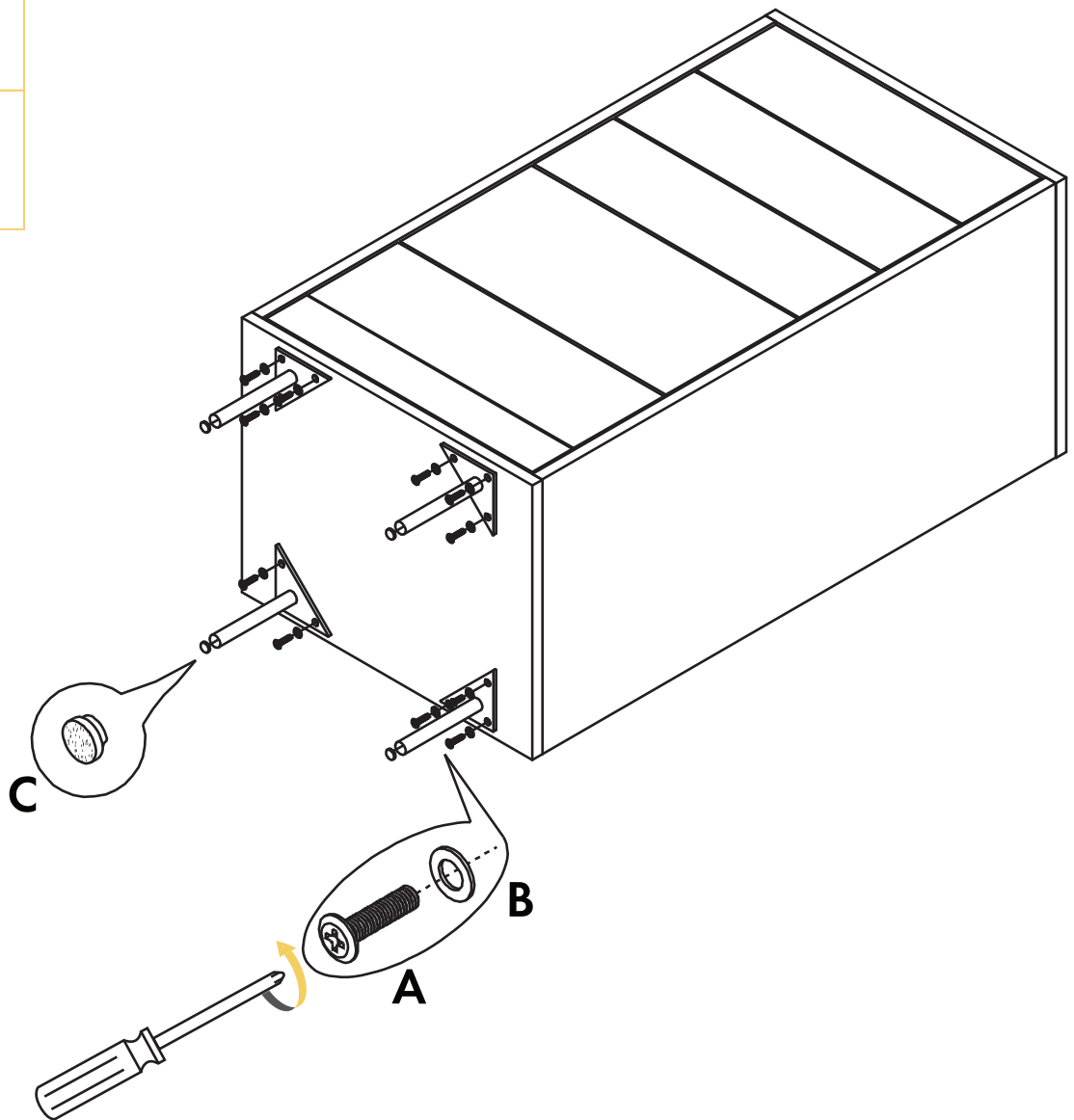
C x 4
(Spec: 15)

What you need



Step 1

Align a leg to the underside of the body so that the screw holes are overlapping. Fit a washer (B) to a bolt (A) and screw into a hole using a screwdriver. Repeat for the other legs. Peel off the sticker paper and cover end of the legs with the trim caps (C).



Step 2

With another person, lift the storage off the ground and place it upright on a level surface.
Enjoy your new storage!

