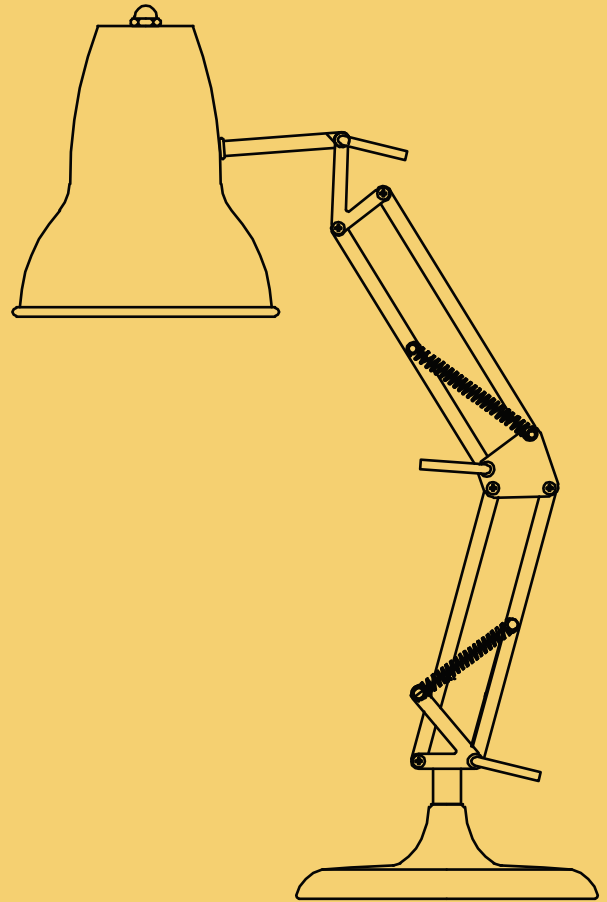


v1.0

BROSA

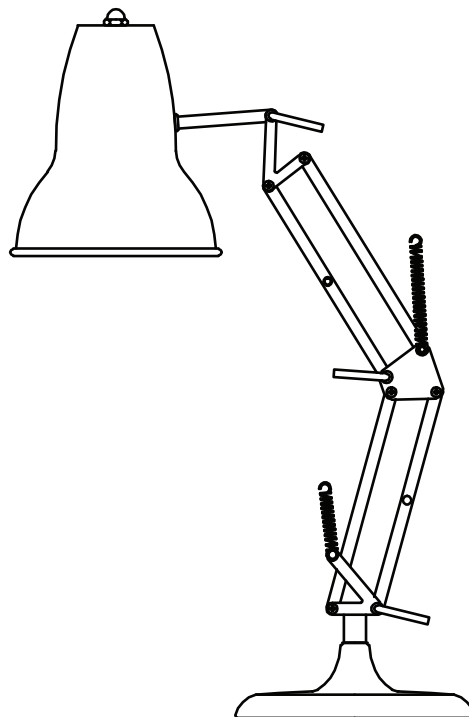


ASSEMBLY GUIDE

Vela Table Lamp

Components

Before you get started, check you have all of the pieces below. If anything's missing, please visit www.brosa.com.au/pages/product-return-and-parts-request and we'll sort it out right away.



Light Stand x 1

What you need



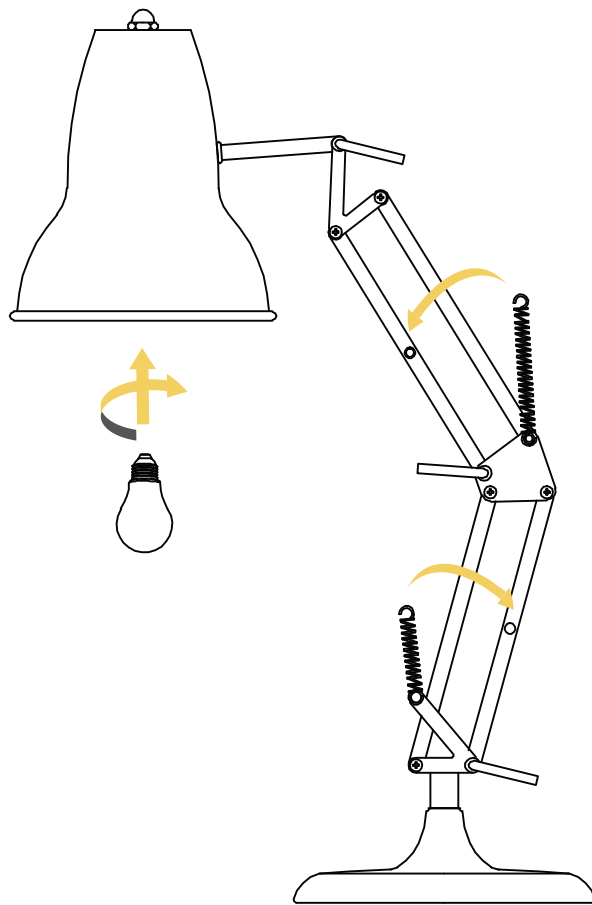
Safety

MAX 25W E14
220-240v ~ 50Hz

1. For indoor use only
2. Follow instructions carefully. Any deviations may be hazardous, or void your warranty.
3. Damaged power cords must be replaced by a professional.
4. Never use a bulb of a greater wattage than recommended.
5. To replace the bulb, unplug the lamp from its power source and allow it to cool first. Then change the bulb, plug it in and switch it on.
6. Periodically check and re-tighten all screws and fasteners.
7. Switch off and wipe down your lamp with a clean cloth as needed.
8. Firmly secure all pieces. Small parts may present a choking hazard.
9. Bulb is not included.

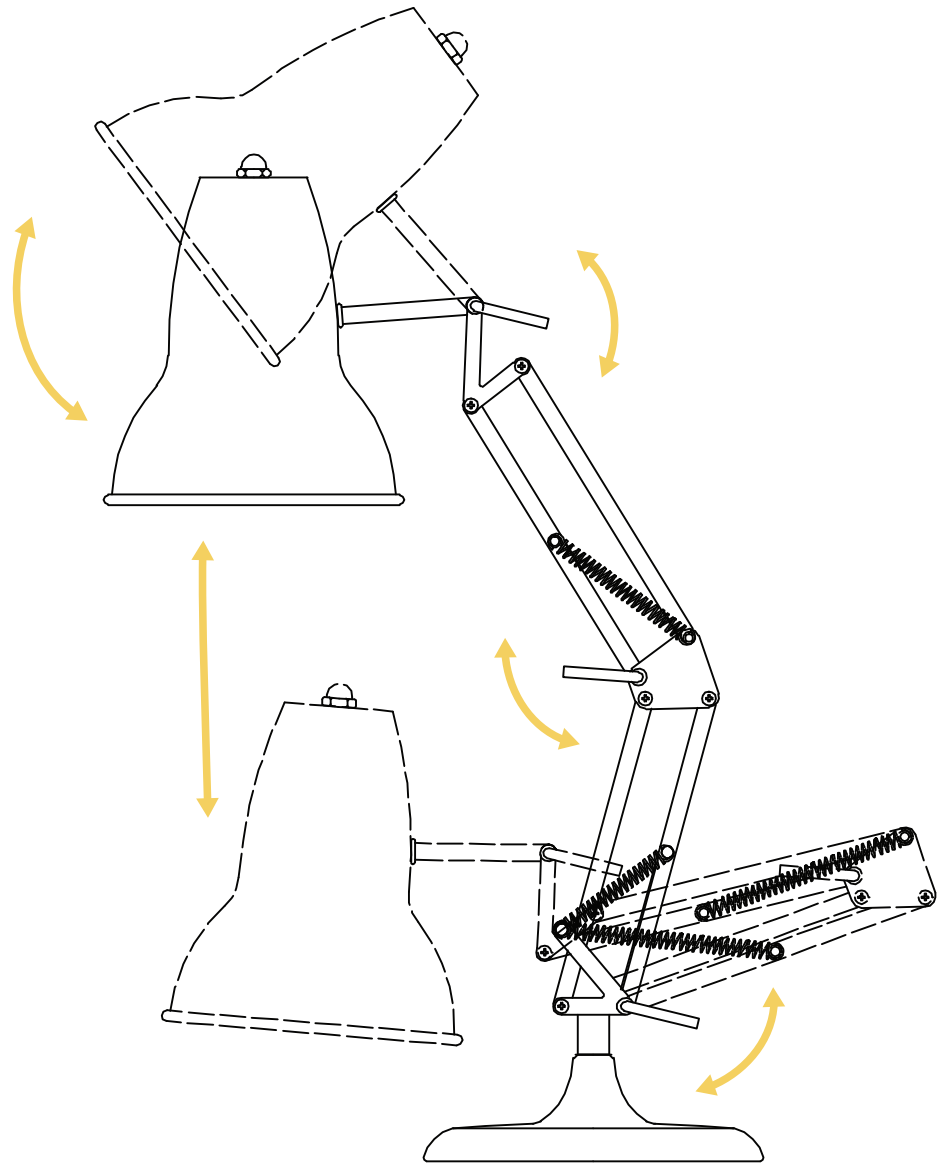
Step 1

Pull the springs and attach to the poles. Gently screw the correct bulb (not included) into the bulb socket.



Step 2

Gently turn the handles to change the light direction and pole angles.



Step 3

Check if all parts are secure.
Enjoy! We hope your new lamp lights up your life.

