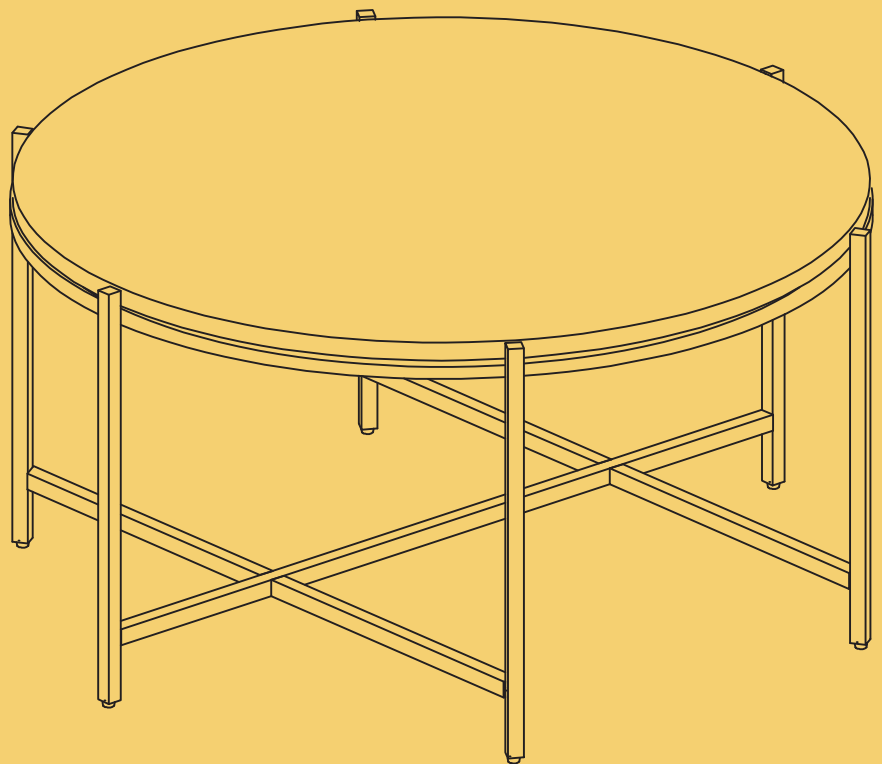


v1.0

BROSA



ASSEMBLY GUIDE

Baron Round Coffee Table

Components

Upon unpacking your table from its delivery box, you should have the separate pieces shown below. Follow the steps on the next pages to assemble your new table.

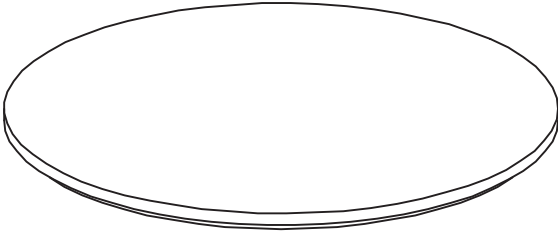
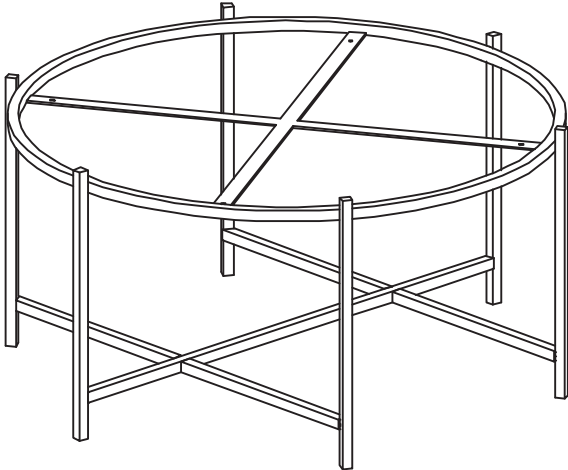


Table top x 1



Leg frame x 1

Hardware



A x 4
(Screw)
(Spec: M5 x 16)

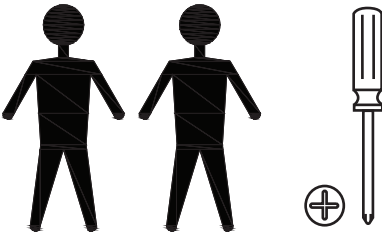


B x 4
(Washer)
(Spec: M5)



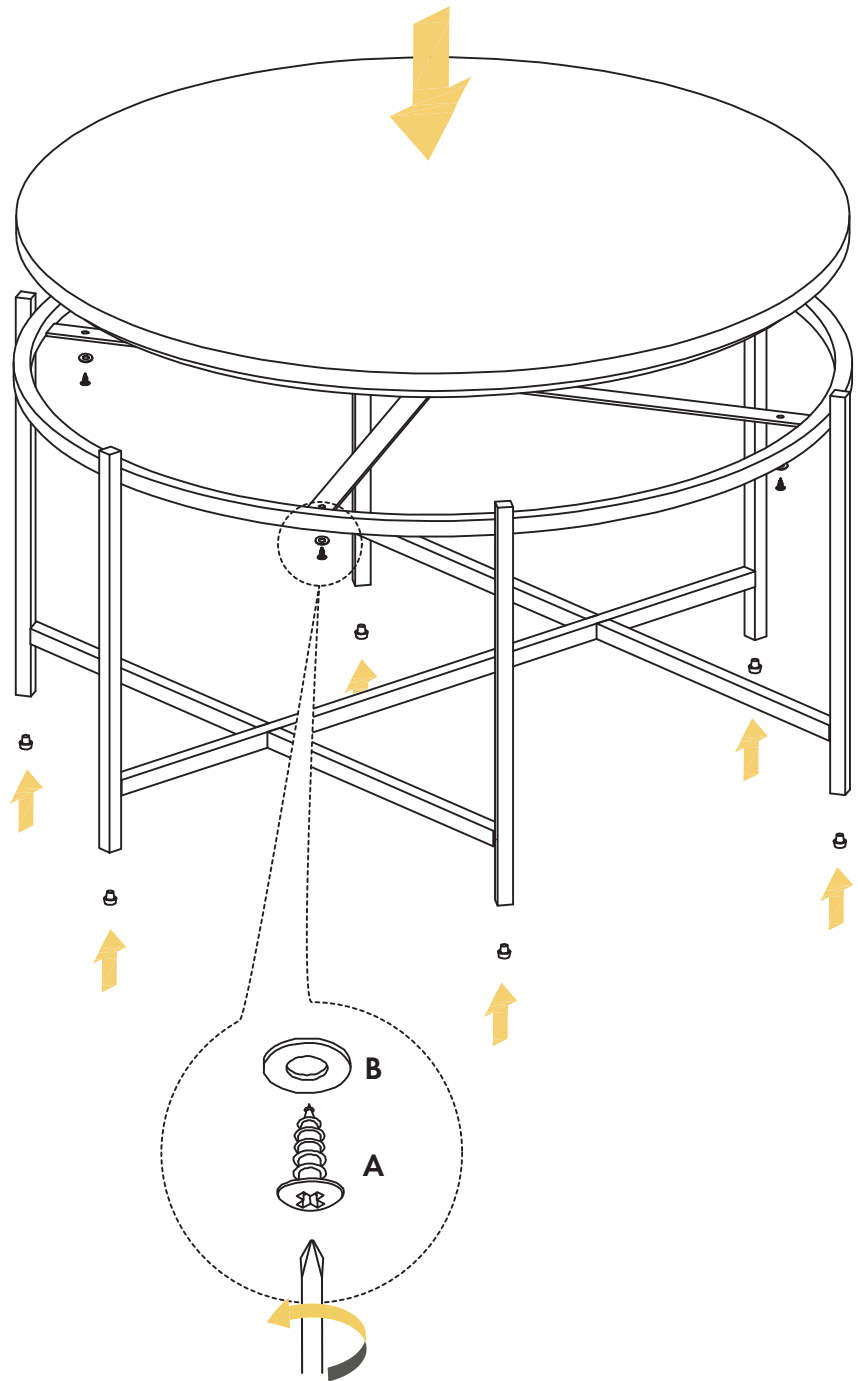
C x 6
(Foot Cap)

What you need



Step 1

Insert foot caps (C) into the holes under the leg frame. With the help of another person align the table top with the leg frame so that the screw holes overlap. Fit a washer (B) to a screw (A) and tighten it with a screwdriver.



Step 2

Enjoy your new coffee table!

