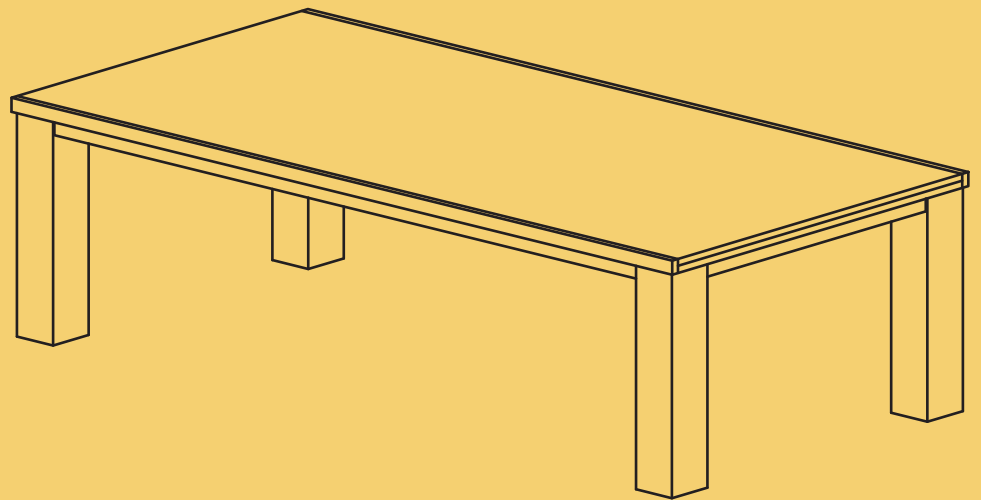


v1.0

BROSA



ASSEMBLY GUIDE

Vega Dining Table

Components

Before you get started, check you have all of the pieces below. If anything's missing, please visit www.brosa.com.au/pages/product-return-and-parts-request and we'll sort it out right away.

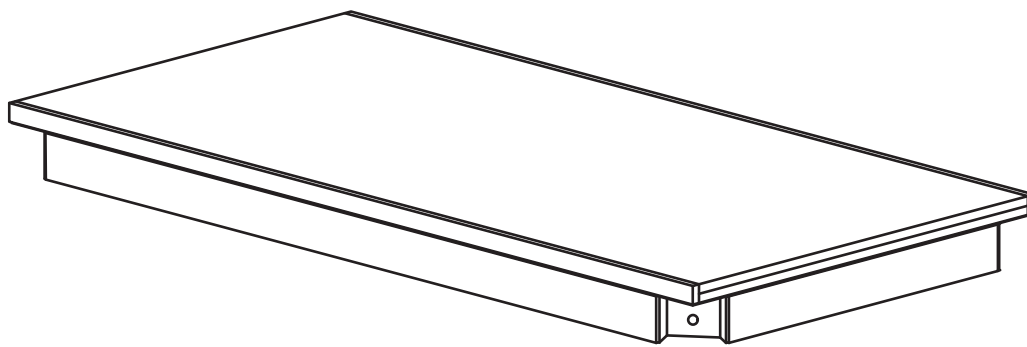


Table top x 1



Leg x 4

Hardware



H1 x 4 (Hex Nut)



H2 x 4 (Flat Washer)

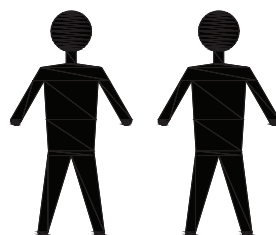


H3 x 4 (Spring Washer)



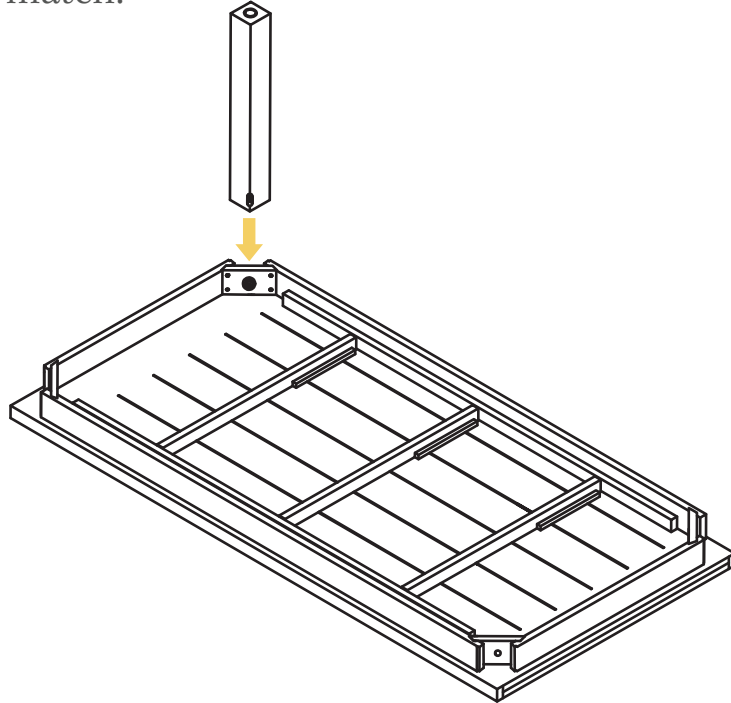
T1 x 1 (Spanner)

What you need







Step 1

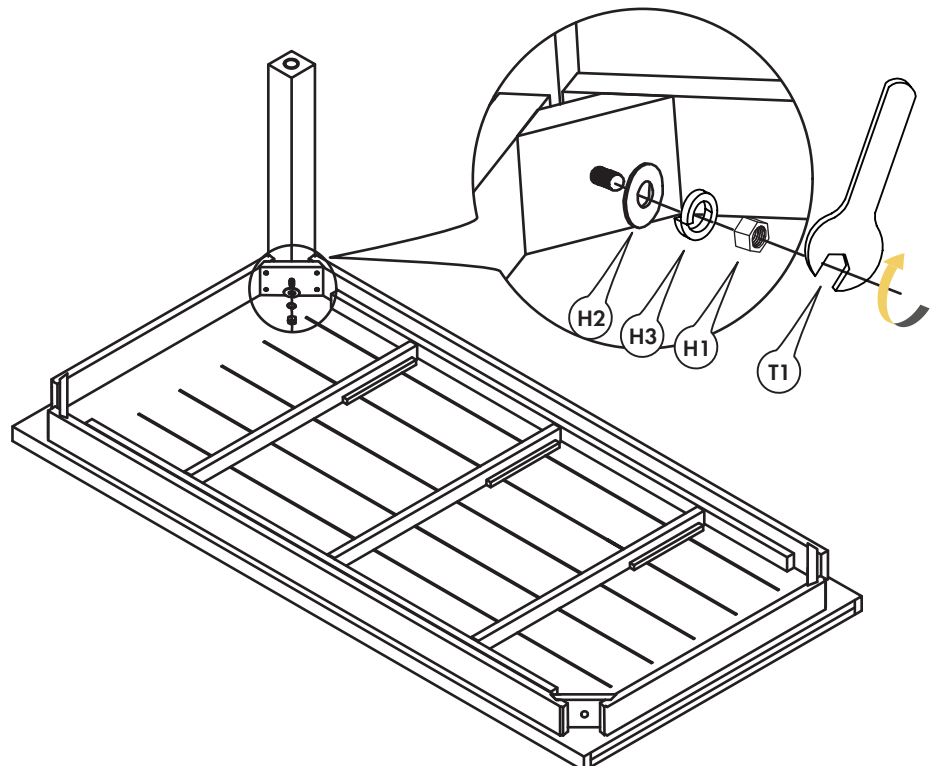
Align a leg to the underside of the table top and make sure the rod penetrates through the hole. Note that the legs and holes are numbered and the numbers should match.



Step 2

Fit a flat washer (H2) then a spring washer (H3) then a hex nut (H1) to the rod on the leg and tighten it using the spanner (T1). Repeat the steps for all four legs.

- 
H1 x 4
- 
H2 x 4
- 
H3 x 4
- 
T1 x 1



Step 3

Gently lift the table and place it upright on a level surface. Enjoy your new dining table!

