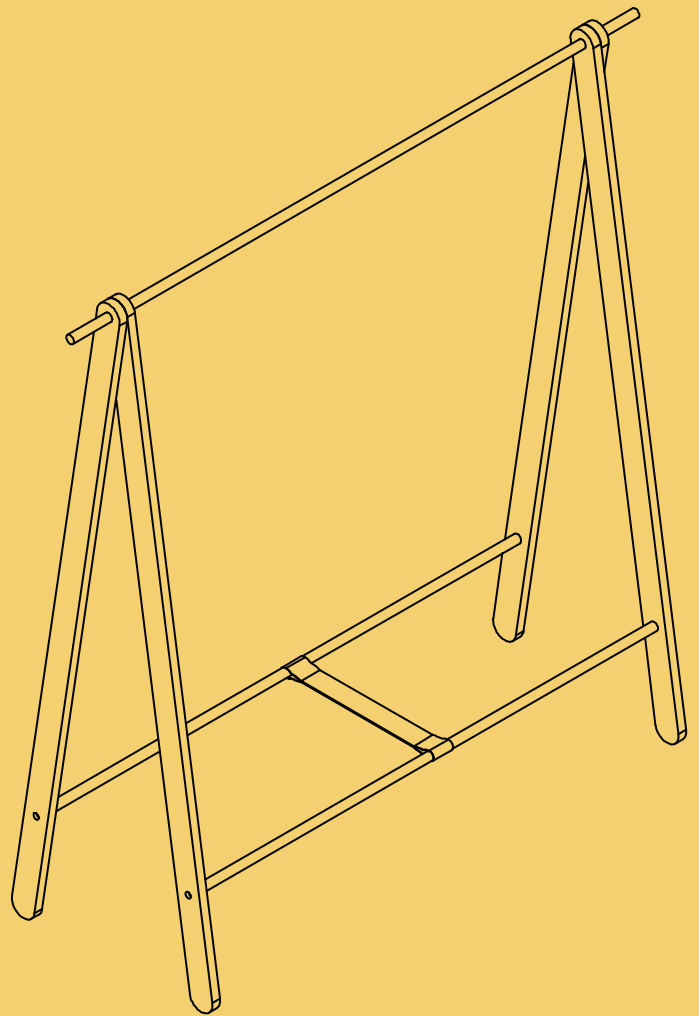


v2.0

# BROSA

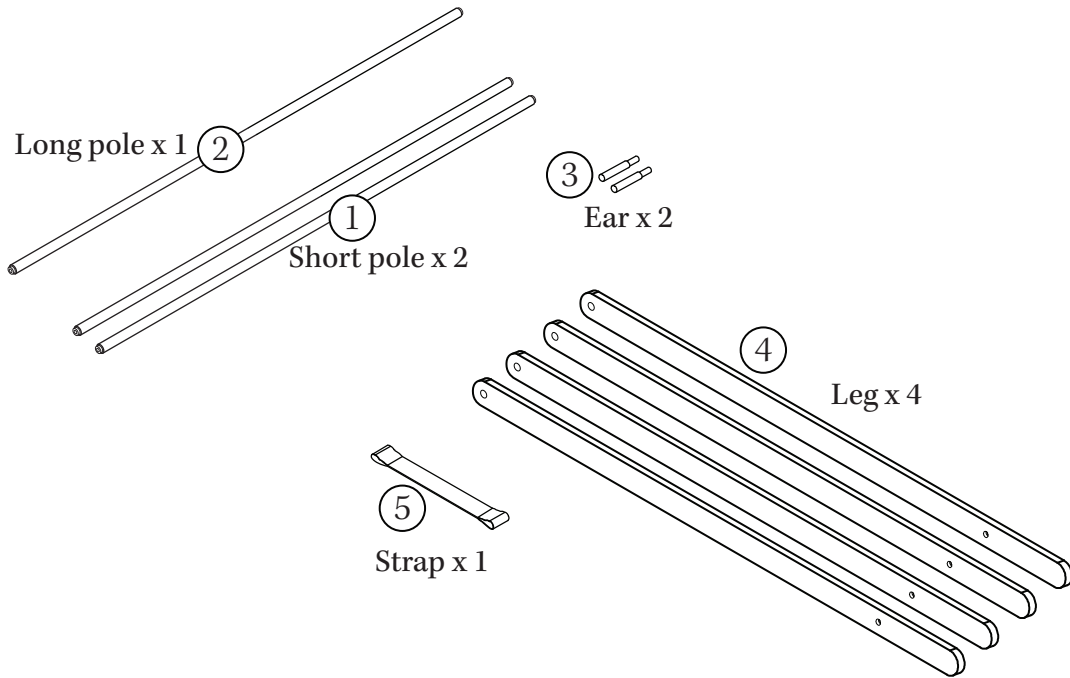


**ASSEMBLY GUIDE**

Peggy Clothes Rack

# Components

Upon unpacking your clothes rack from its delivery box, you should have the separate pieces shown below. Follow the steps on the next pages to assemble your new clothes rack.



## Hardware

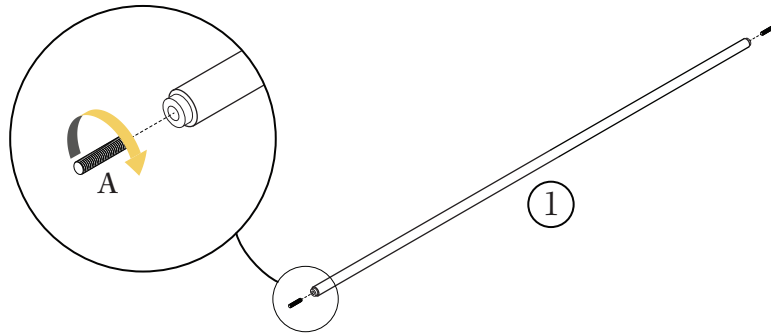
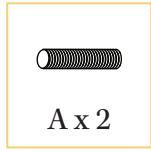


## What you need



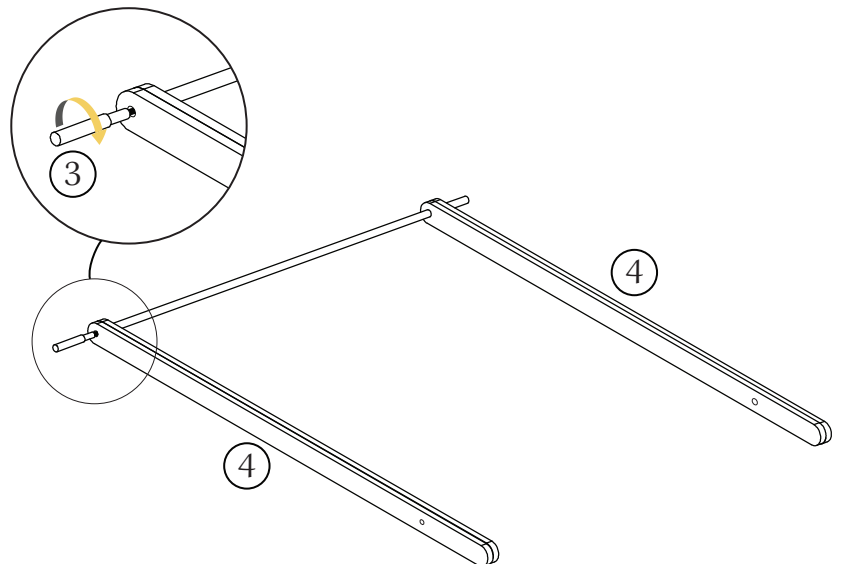
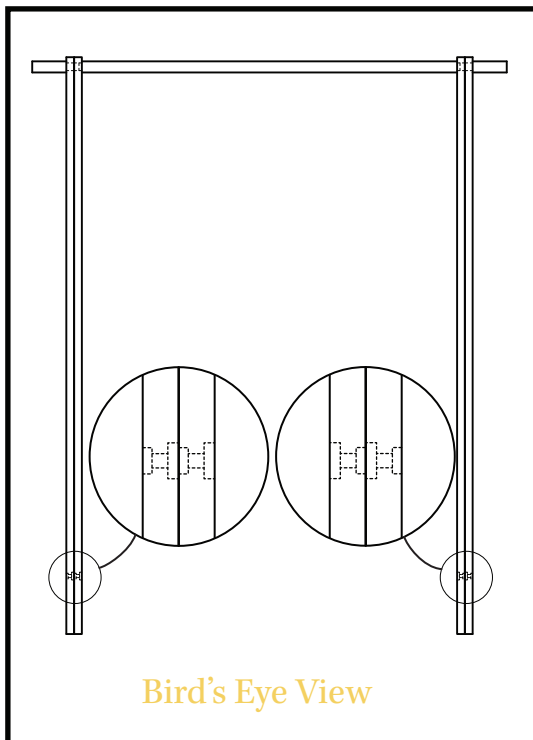
# Step 1

Grab a short pole and screw the rods into the holes on both ends of the pole.



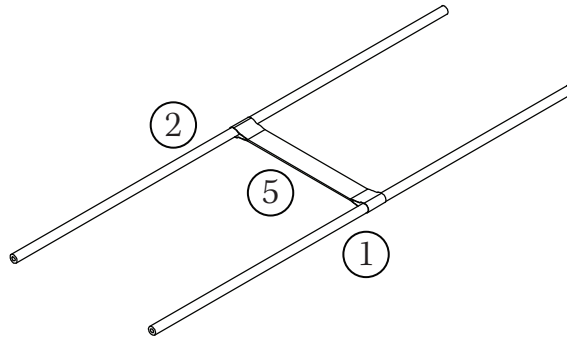
# Step 2

Align the legs (4) with the structure formed in Step 1. Fit the legs into the rods, making sure the holes on lower ends are facing the correct direction as the Bird's Eye View indicates. Align the ears (3) with the rods on each side and then screw them till tight.



# Step 3

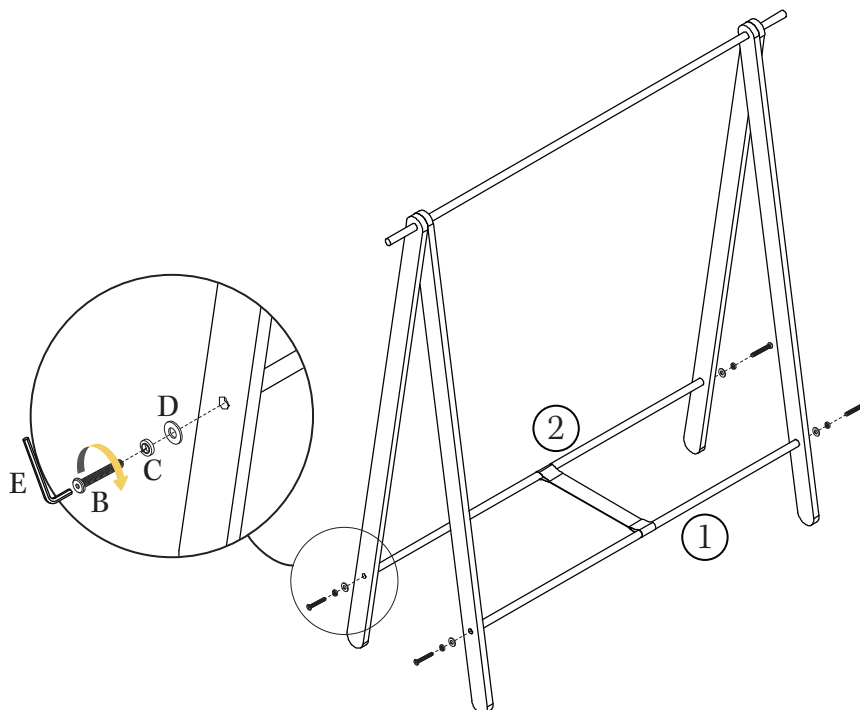
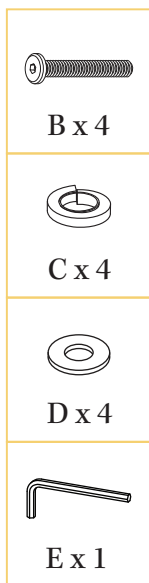
Use the strap (5) to combine the other two poles (2) (1).



# Step 4

Align the structure formed in Step 3 with the structure formed in Step 2, making sure the long pole (2) is aligned with the outer legs and the short pole (1) aligned with the inner legs.

Fit a spring washer (C) to a bolt (B) followed by a flat washer (D) and insert it into a hole on the leg. Tighten the bolt using the allen key (E). Repeat for the remaining holes.



# Step 5

Place the formed structure on a level surface and then enjoy your new clothes rack!

