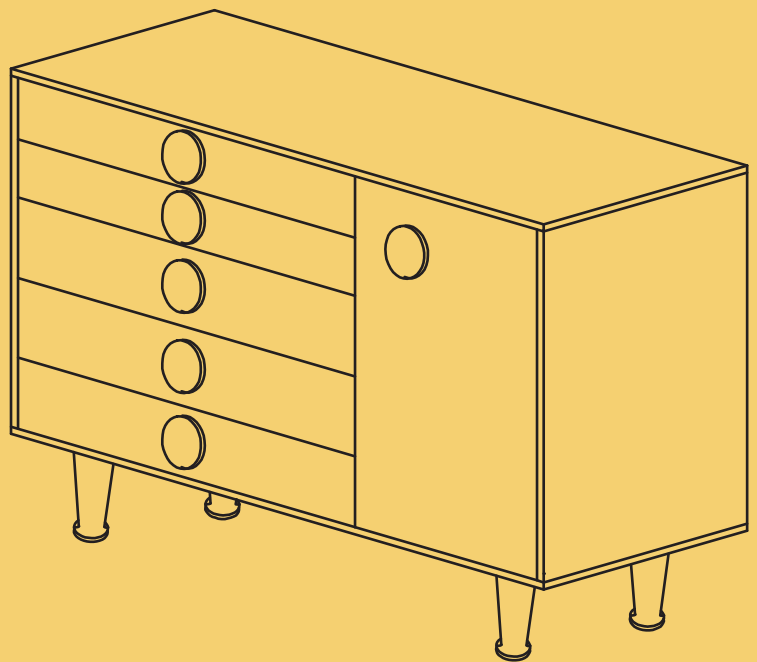


v1.0

BROSA

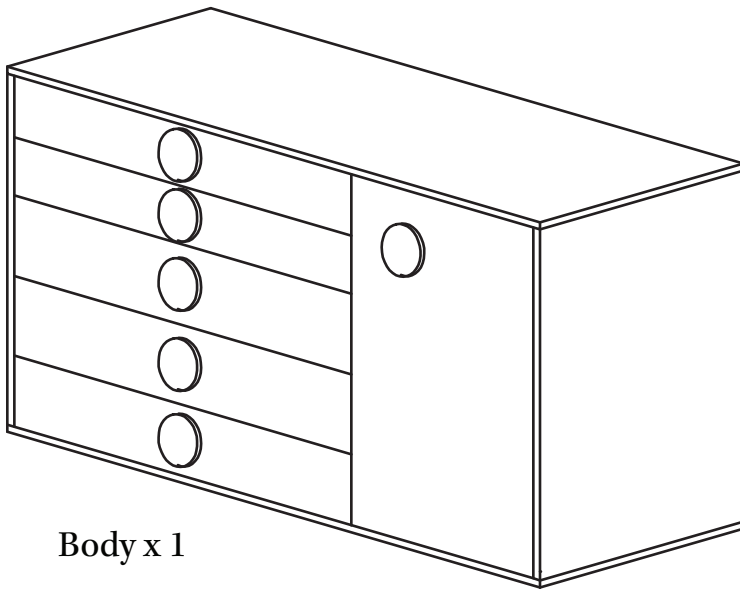


ASSEMBLY GUIDE

Cromwell Sideboard

Components

Before you get started, check you have all of the pieces below. If anything's missing, please visit www.brosa.com.au/pages/product-return-and-parts-request and we'll sort it out right away.

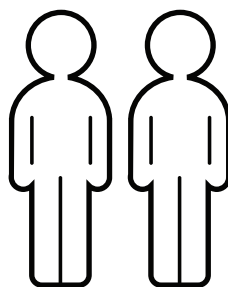


Body x 1



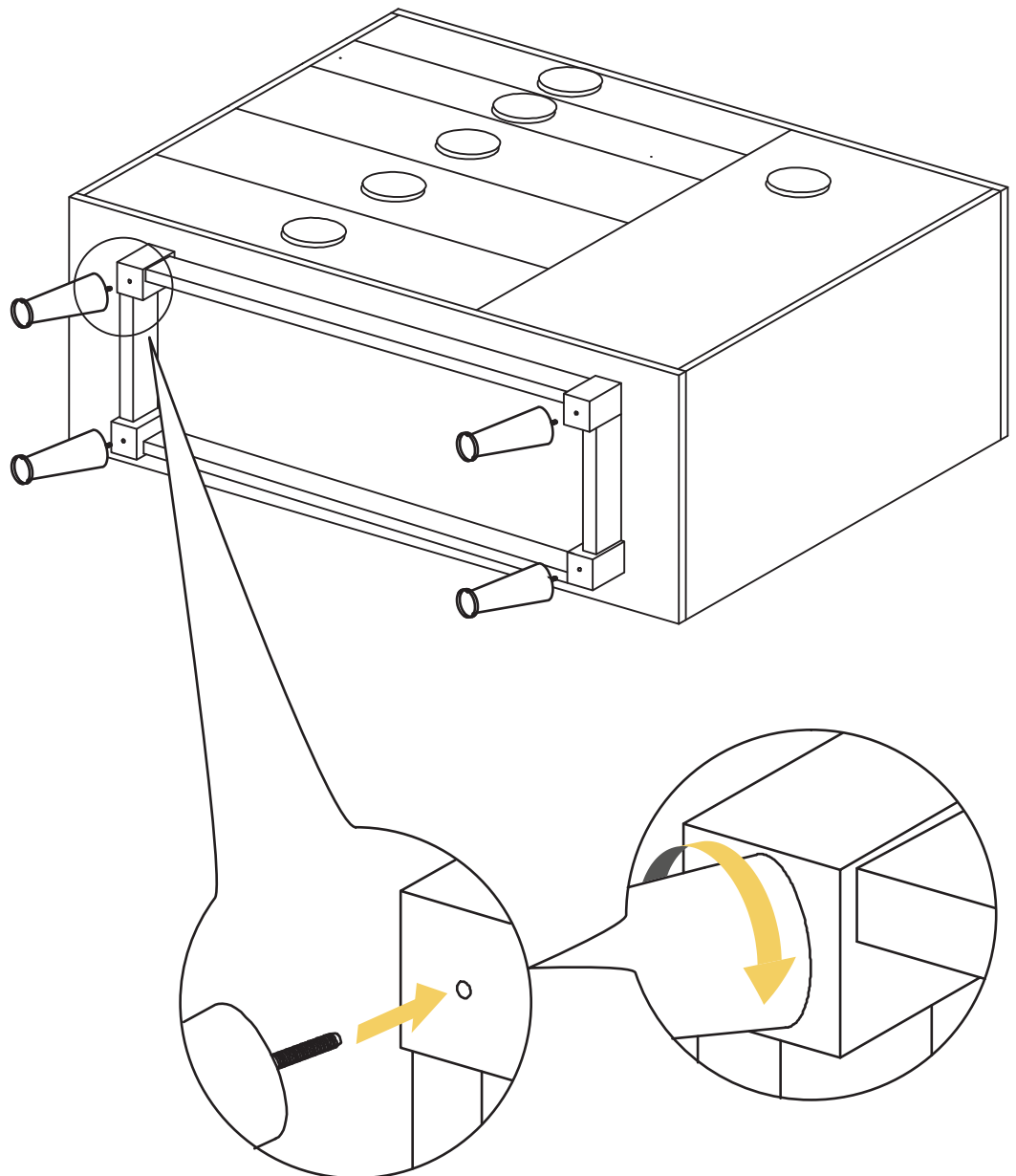
Leg x 4

What you need



Step 1

Align a leg to a hole under the body and twist the leg until tight and secure. Repeat for all four legs.



Step 2

Gently lift the storage and place upright on a level surface. Enjoy your new storage!

