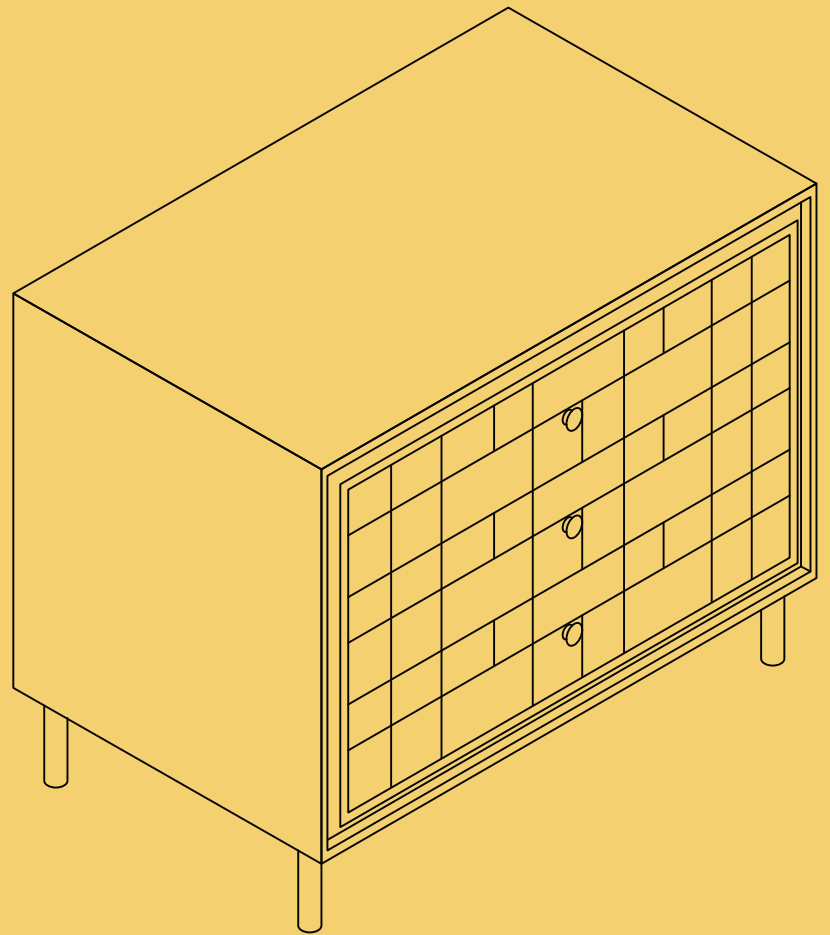


v1.0

# BROSA

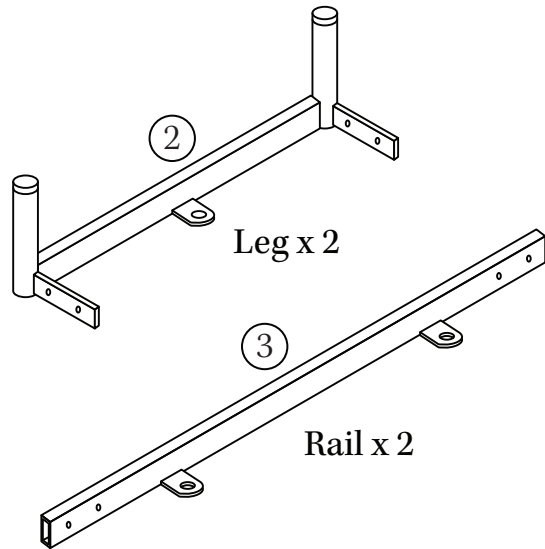
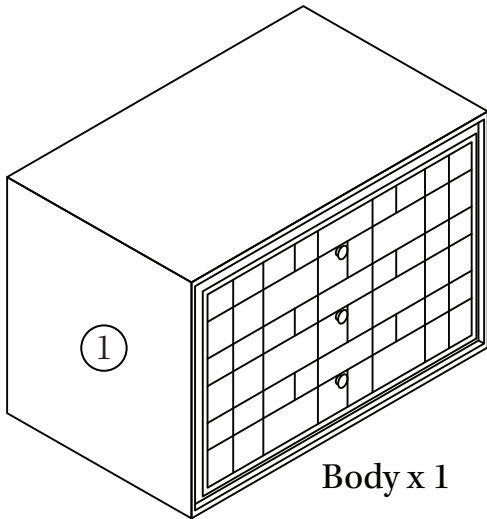


**ASSEMBLY GUIDE**

## Meggs Chest of Drawers

# Components

Before you get started, check you have all of the pieces below. If anything's missing, please visit [www.brosa.com.au/pages/product-return-and-parts-request](http://www.brosa.com.au/pages/product-return-and-parts-request) and we'll sort it out right away.



## Hardware



A x 6



B x 6

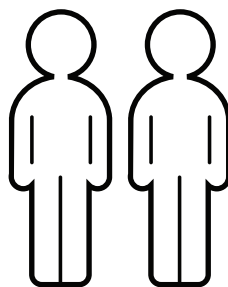


C x 16



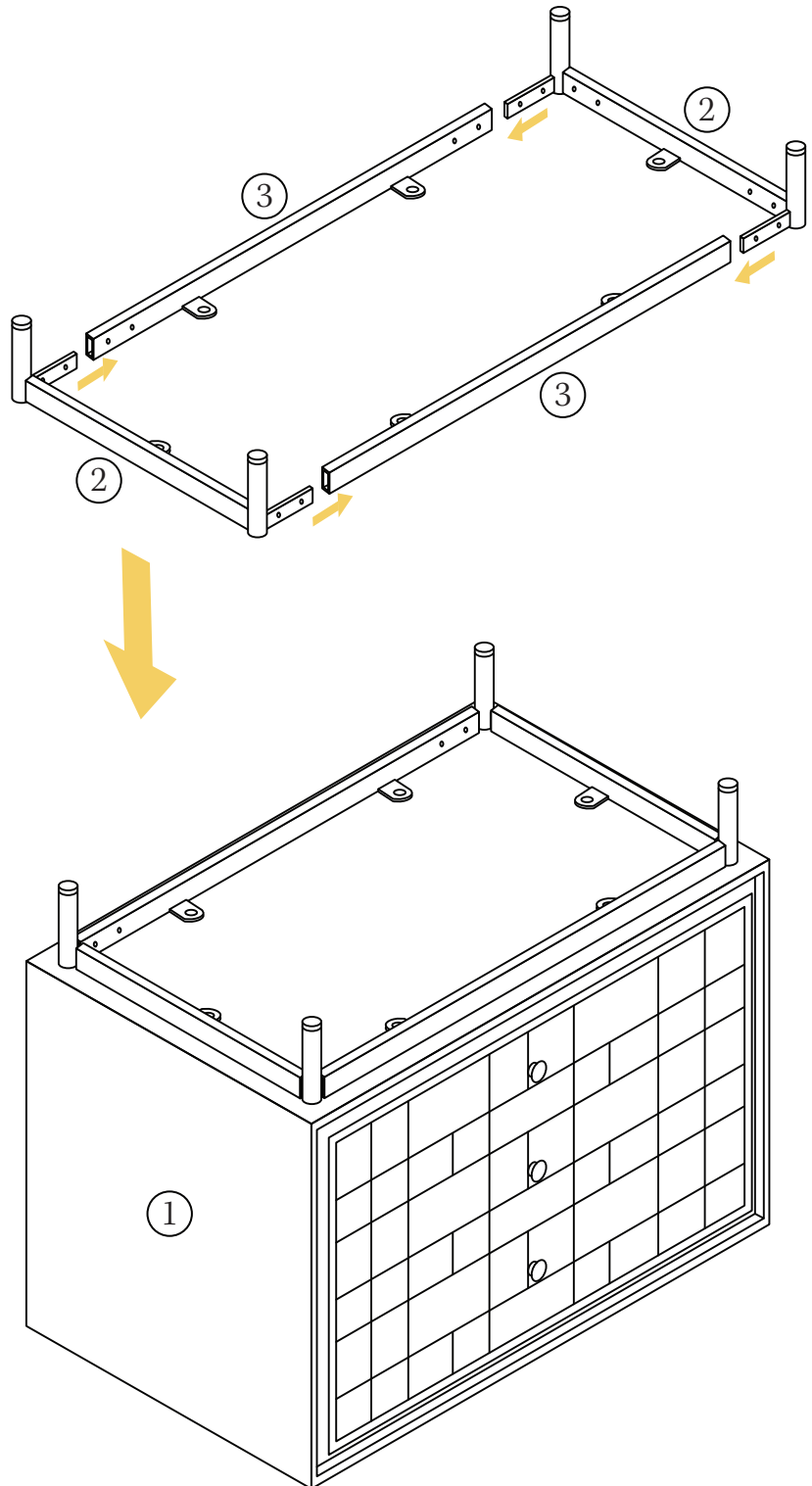
D x 1

## What you need



# Step 1

Insert the legs (2) into the rails (3) and align the formed leg structure with the underside of the body (1) so that the bolt holes overlap.



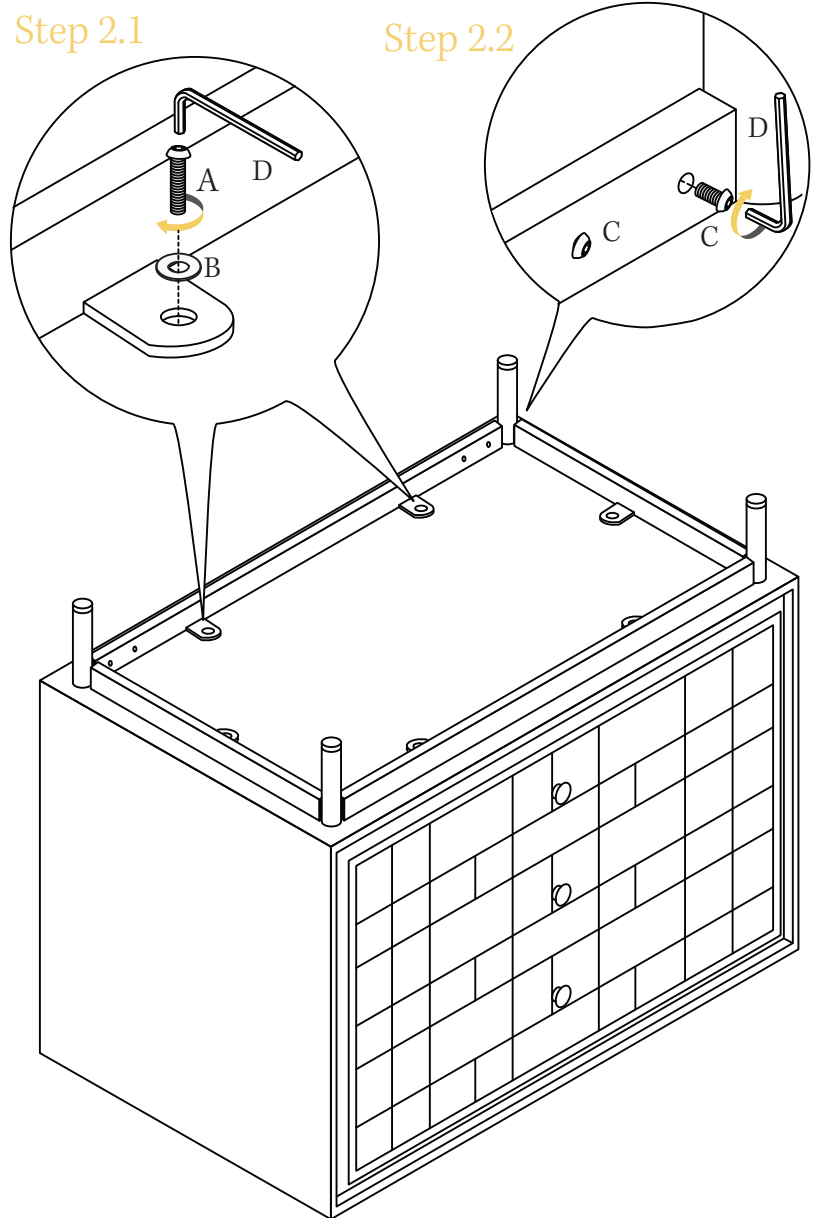
# Step 2



**Step 2.1** Fit a washer (B) to a long bolt (A) and screw into a hole connected with the body using the Allen key (D). Do not tighten the bolt yet. Repeat for the remaining holes.

**Step 2.2** Insert a short bolt (C) into a side hole and screw into the leg structure using the Allen key. Do not tighten the bolt yet. Repeat for the remaining holes.

**Step 2.3** Once all bolts are in their places and the structure is fitted together, tighten all bolts.



# Step 3

With another person, lift the unit off the ground and place it upright on a level surface.  
Enjoy your new chest of drawers!

