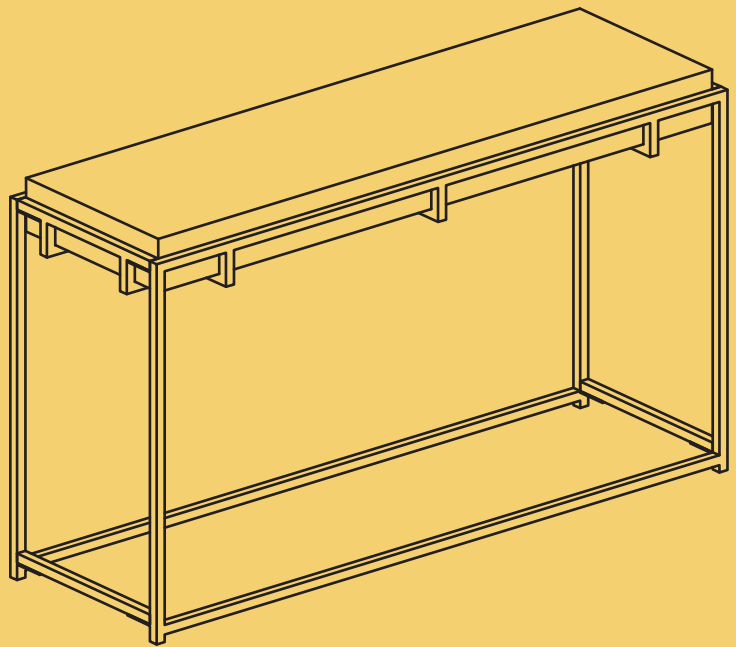


v1.0

# BROSA

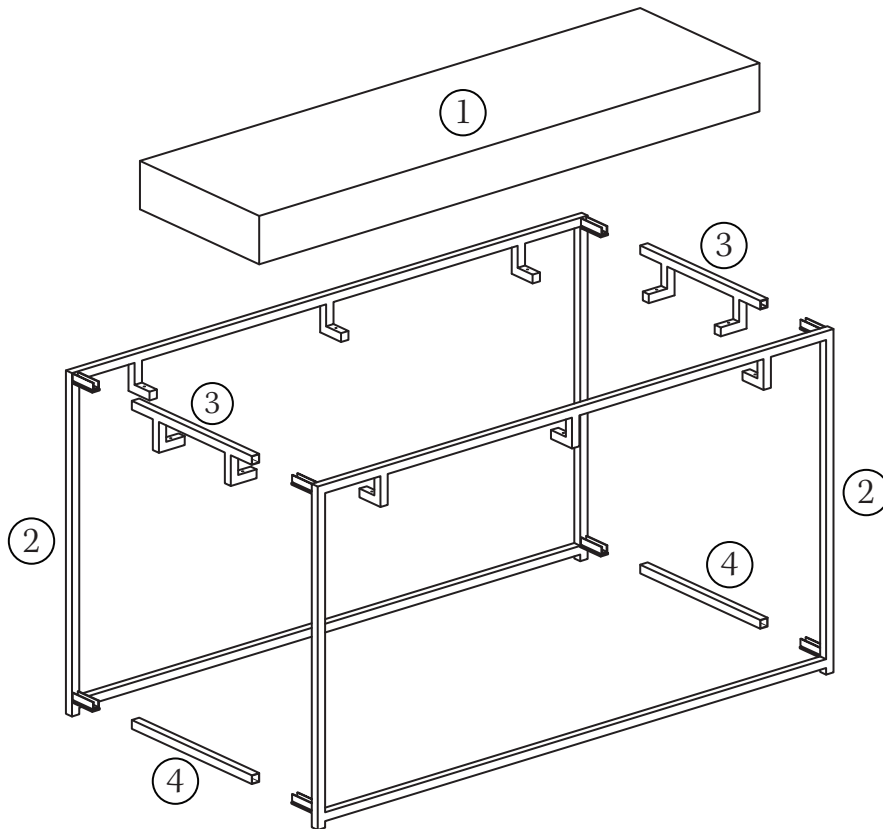


## ASSEMBLY GUIDE

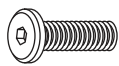
### Watkins Console Table with Slim Legs

# Components

Before you get started, check you have all of the pieces below. If anything's missing, please visit [www.brosa.com.au/pages/product-return-and-parts-request](http://www.brosa.com.au/pages/product-return-and-parts-request) and we'll sort it out right away.



## Hardware



A x 16  
(M6 x 18)



B x 16  
(Ø6 x Ø16 x 1.2)

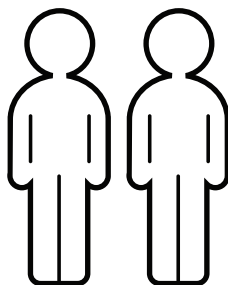


C x 10  
(M4 x 38)



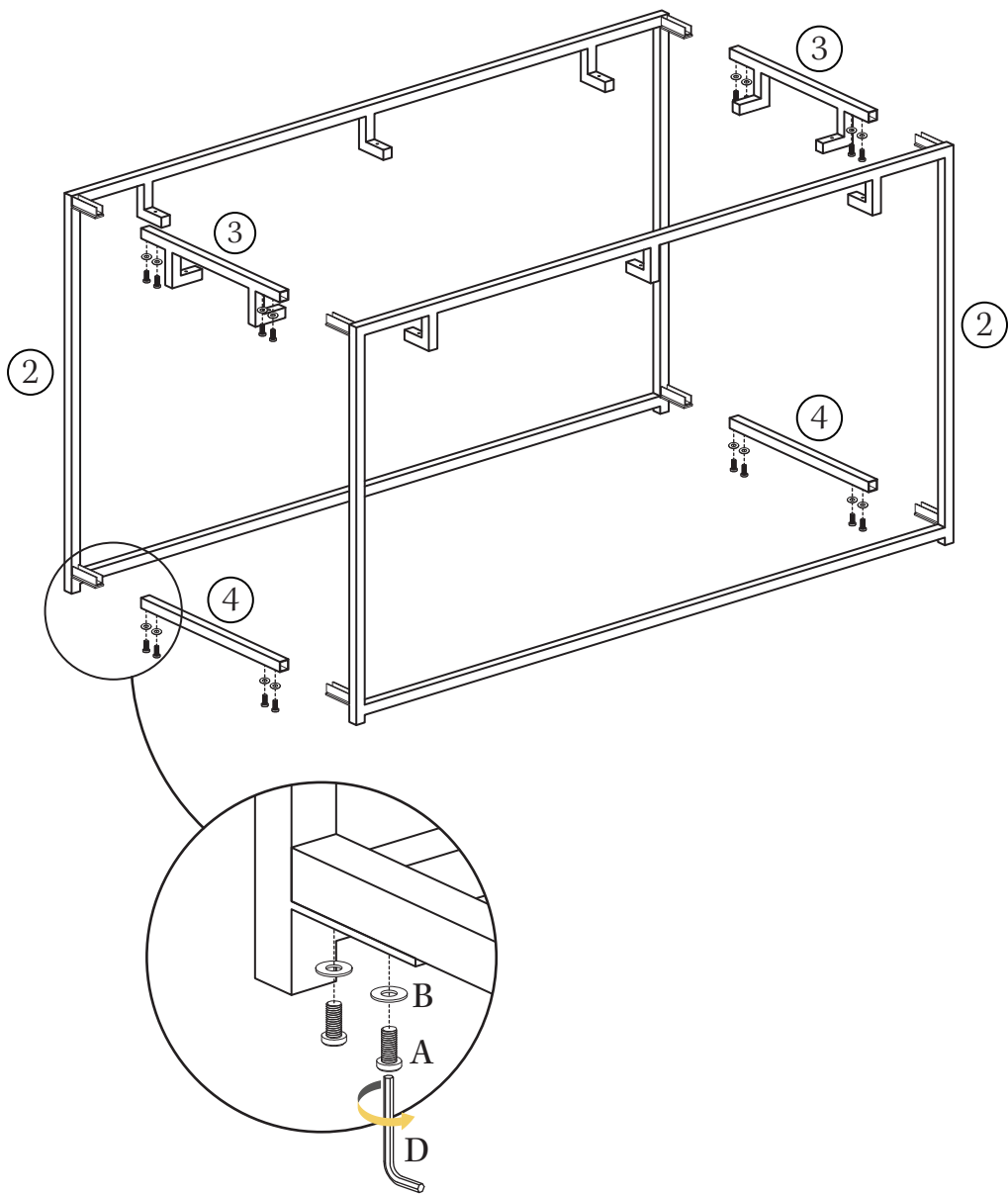
D x 1  
(M4 x 57)

## What you need



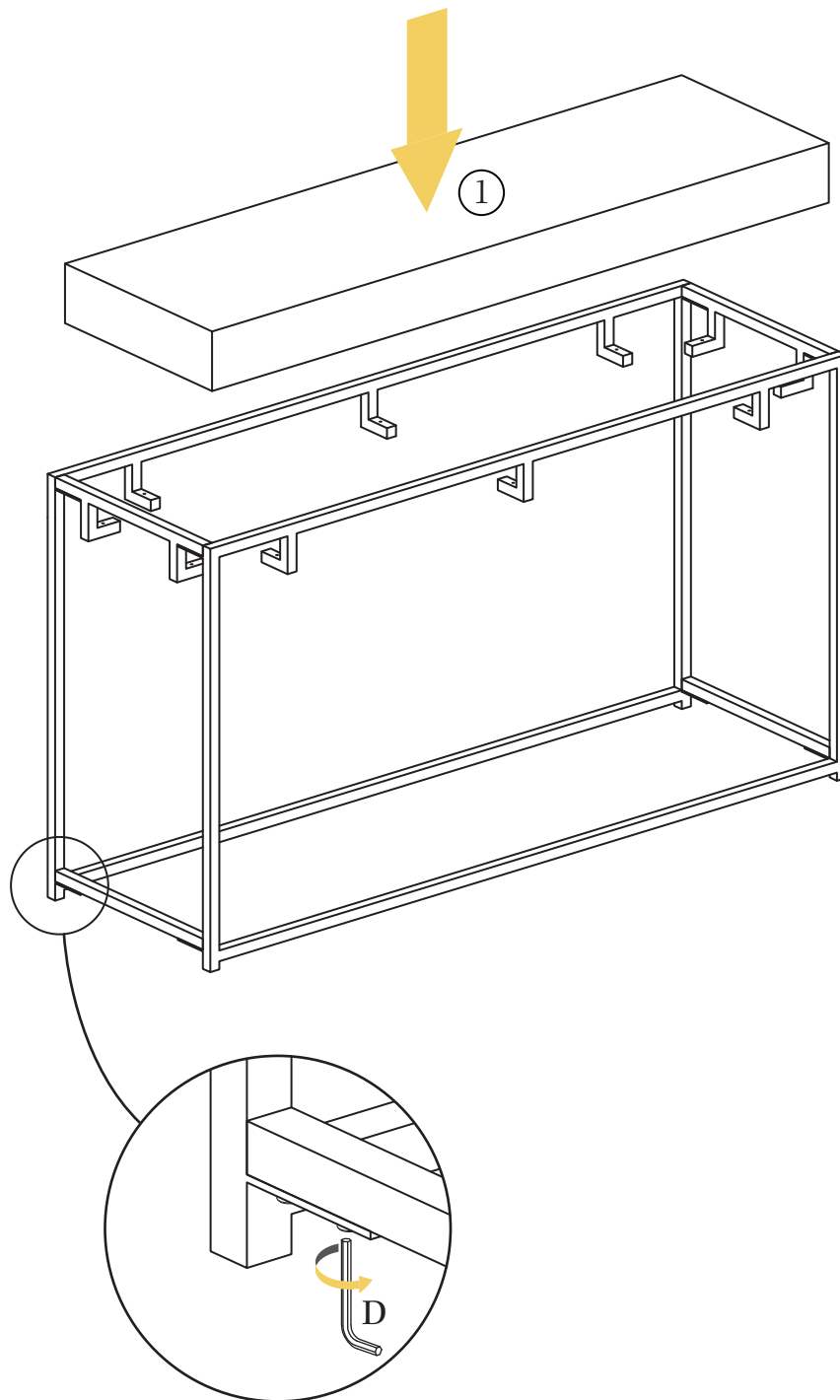
# Step 1

Attach the leg frames (2) to the upper and lower rails (3) (4). Make sure the holes on the lower rails face downward. Fit a washer (B) to a bolt (A) and then insert the bolt into a hole. Tighten the bolt with the Allen key (D) but do not tighten it yet. Repeat this for the remaining holes.



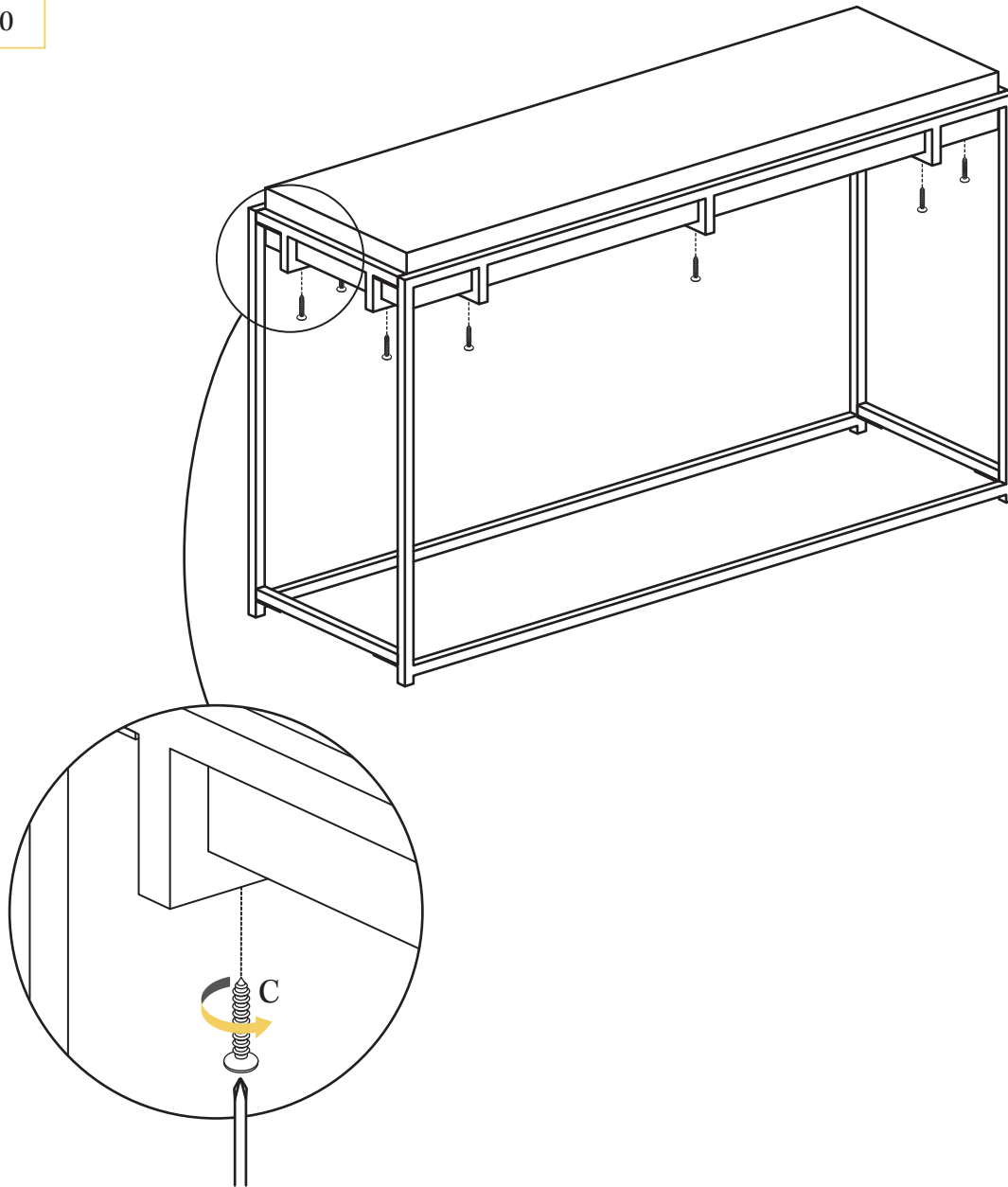
# Step 2

Place the table top (1) upon the frame formed in Step 1 and then tighten all bolts using the Allen key (D).



# Step 3

Insert a screw (C) into a hole from underside and fix it with a Phillips screwdriver.



# Step 4

Enjoy your new console table!

