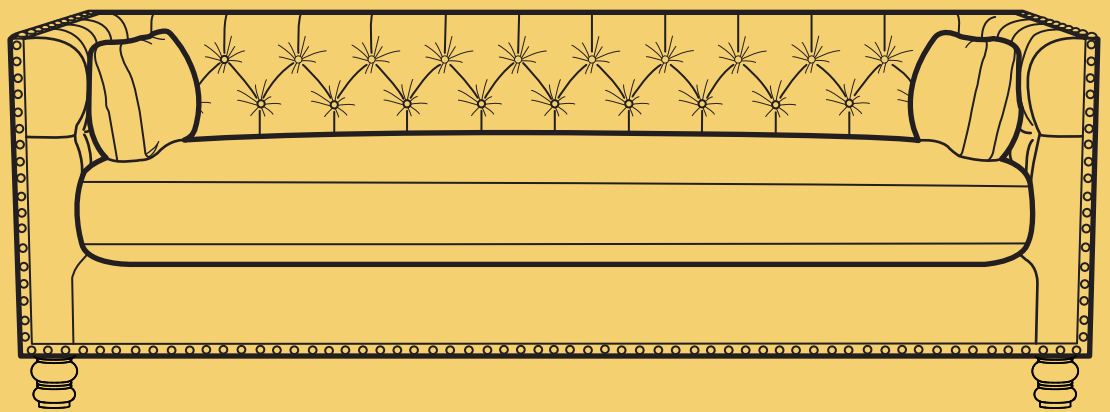


v2.0

BROSA

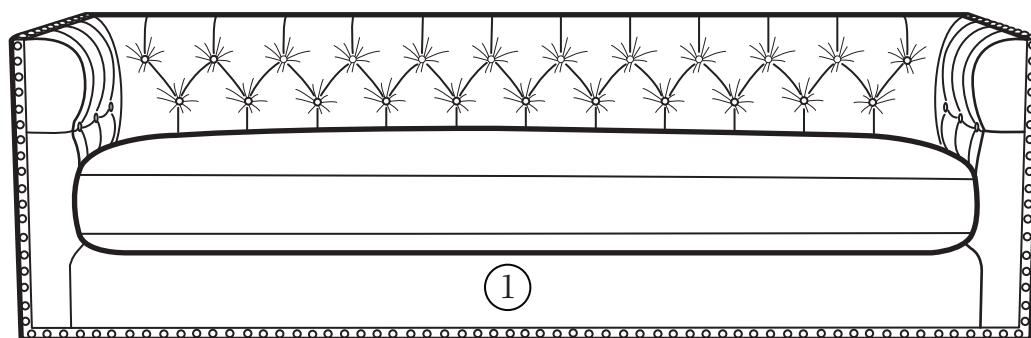


ASSEMBLY GUIDE

Madeline Chesterfield 3 Seater Sofa

Components

Upon unpacking your sofa from its delivery box, you should have components as listed below. Additional components are packed inside the body, you will learn how to access and utilise these components in the next steps.



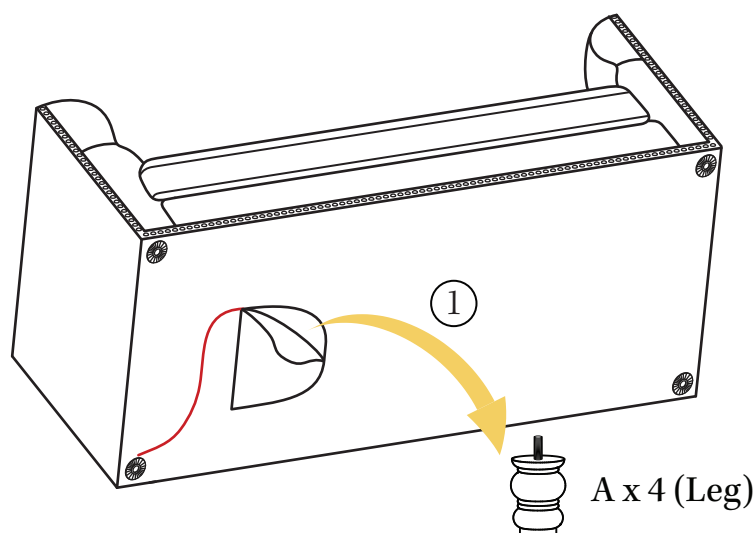
Sofa Body x 1



Cushion x 2

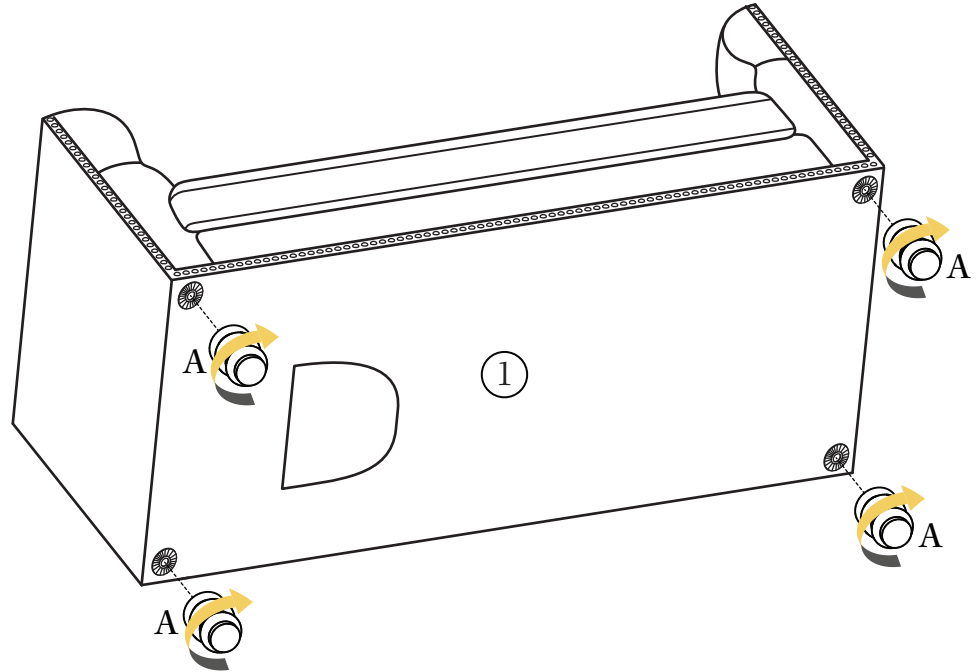
Unpacking

Turn the sofa body (1) so that the underside is facing you. Follow the coloured string to the component compartment. Unzip this and take out the additional components, then zip it back up.



Step 1

Insert a leg (A) into a hole and twist the leg until tight and secure. Repeat this for the remaining legs.



Step 2

Lift the sofa off the ground and turn it right side up, placing it on a level surface. Place the cushions (2) on the sofa and then enjoy your new 3 seater sofa!

