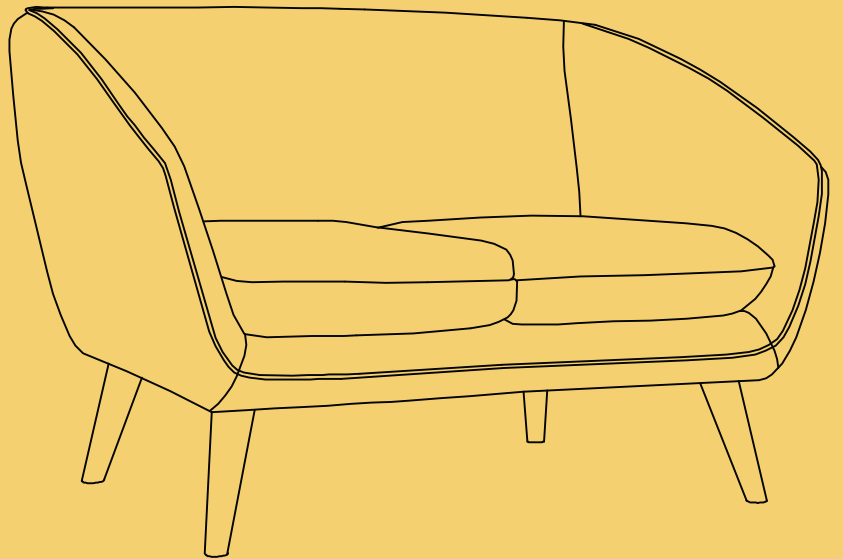


v1.0

# BROSA

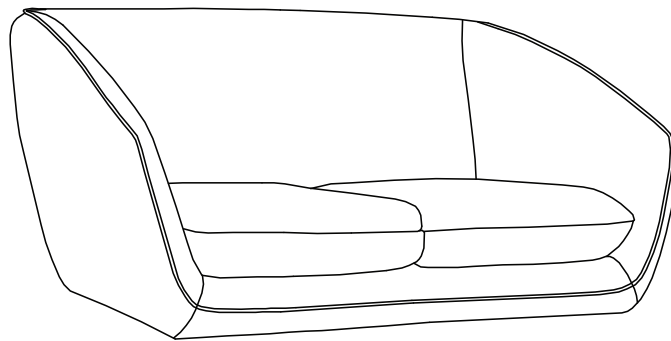


**ASSEMBLY GUIDE**

## Hugo 2-Seater Sofa

# Components

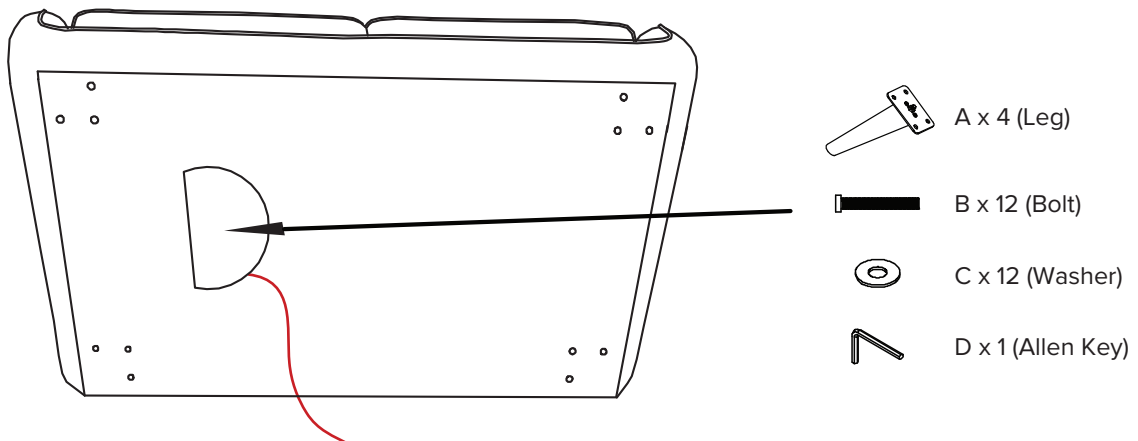
Upon unpacking your sofa from its delivery box, you should have one single component (the body of the sofa). Additional components are packed inside the body, you will learn how to access and utilise these components in the next steps.



**Sofa body x 1**

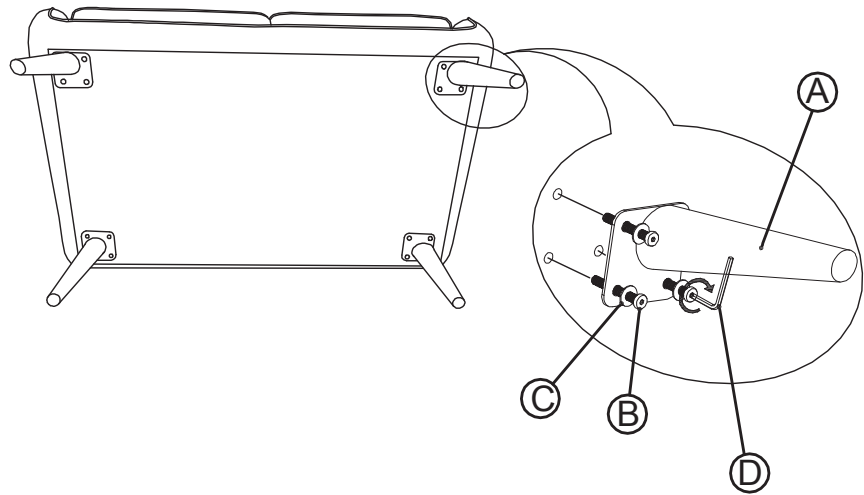
# Unpacking

Turn the sofa body so that the underside is facing you. Follow the coloured string to the component compartment. Unzip this and take out the additional components, then zip it back up.



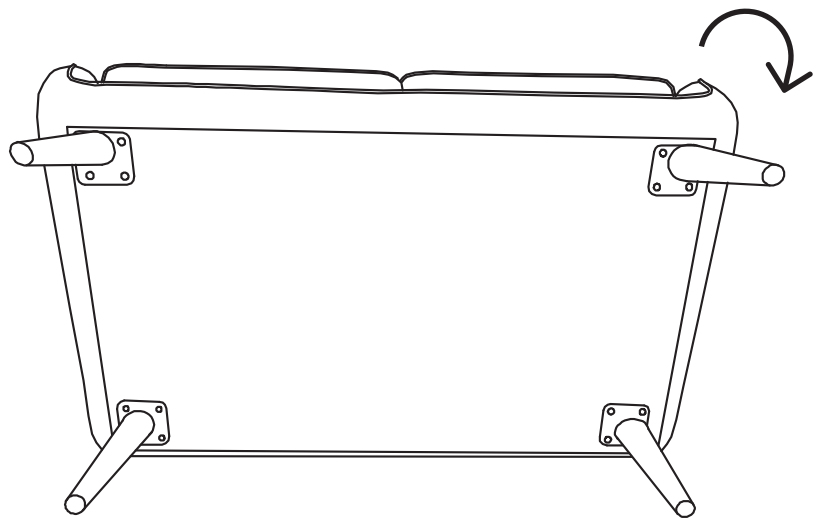
# Step 1

Align a leg (A) so that the screw slots are facing inward. Fit three washers (C) to three bolts (B) and use them to fit a leg onto the body of the chair. Turn the bolts with the allen key (D) until it is secure but do not tighten yet. Repeat for all four legs.



# Step 2

Lift the sofa off the ground and turn it right side up while being careful not to put any pressure on the legs while you turn the sofa.



# Step 3

Place the sofa on a flat surface, then sit on the sofa and shift your weight around until the legs are level and the sofa does not rock. Then use the allen key (D) to tighten all the bolts. Enjoy your new sofa!

