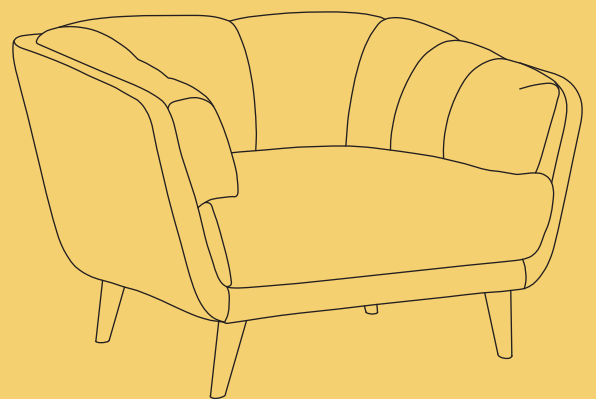


v1.0

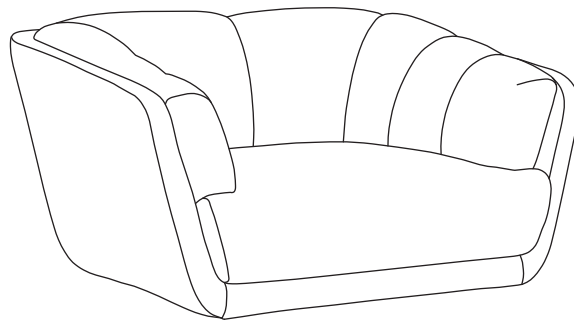
BROSA



ASSEMBLY GUIDE
Cornwell Armchair

Components

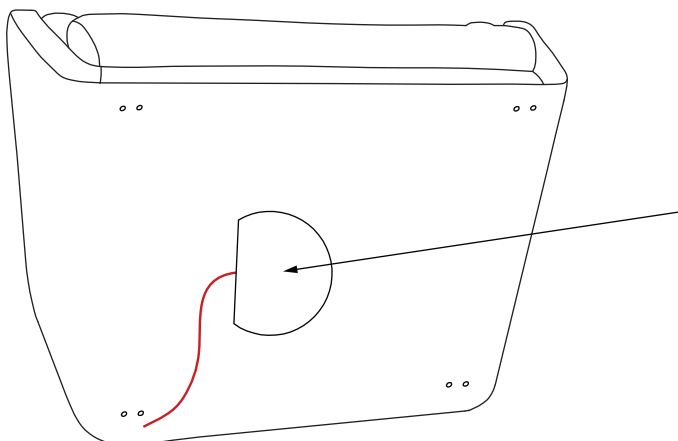
Upon unpacking your chair from its delivery box, you should have one single component (the body of the chair). Additional components are packed inside the body, you will learn how to access and utilise these components in the next steps.



Chair body x 1

Unpacking

Turn the chair body so that the underside is facing you. Follow the coloured string to the component compartment. Unzip this and take out the additional components, then zip it back up.



A x 4 (Leg)



B x 4 (Bolt)



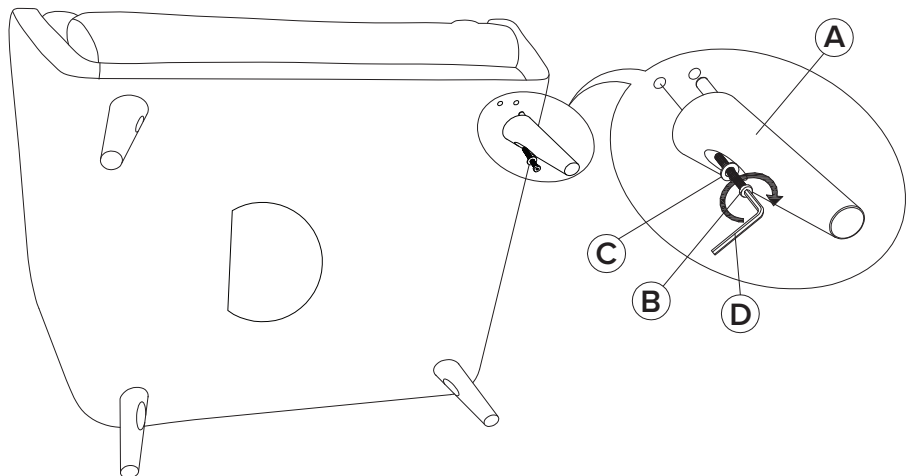
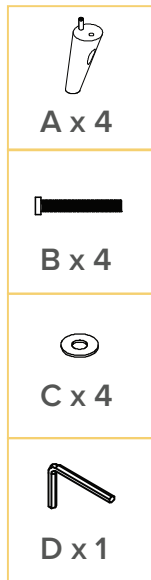
C x 4 (Washer)



D x 1 (Allen Key)

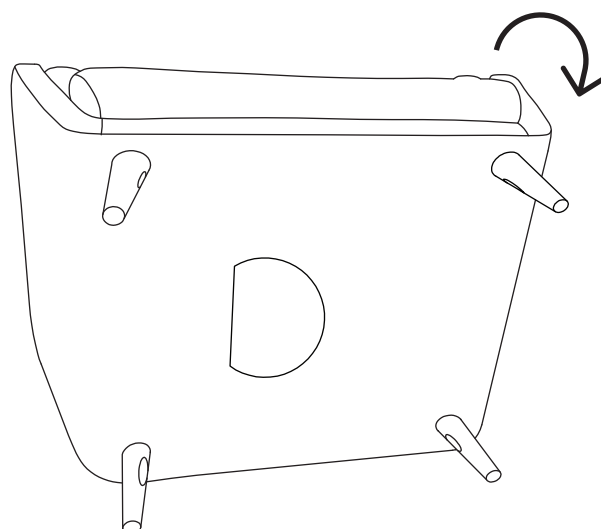
Step 1

Align a leg (A) so that the screw slot is facing inward. Fit a washer (C) to a bolt (B) and use them to fit the leg onto the body of the chair. Turn the bolt with the allen key (D) until it is secure but do not tighten yet. Repeat for all four legs.



Step 2

Lift the chair off the ground and turn it right side up while being careful not to put any pressure on the legs while you turn the chair.



Step 3

Place the chair on a flat surface, then sit on the chair and shift your weight around until the legs are level and the chair does not rock. Then use the allen key (D) to tighten all the bolts. Enjoy your new armchair!

