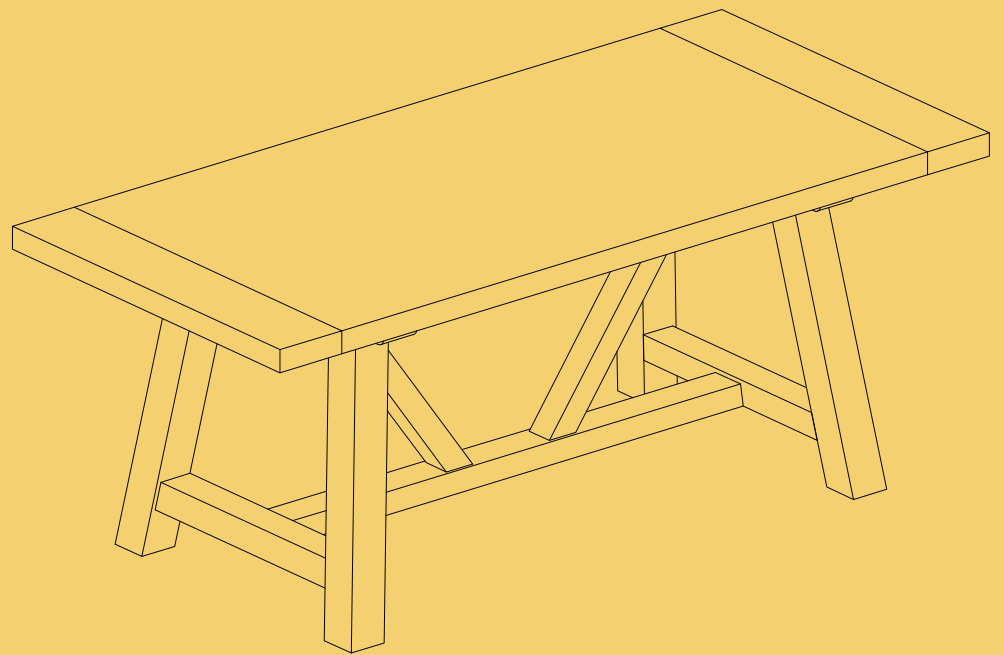


BROSA

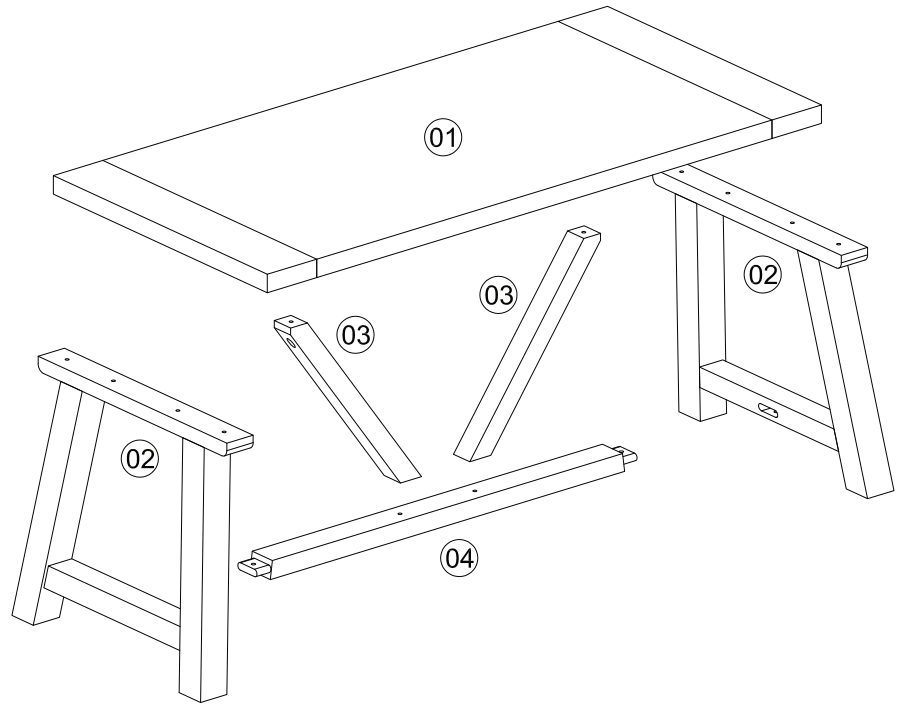
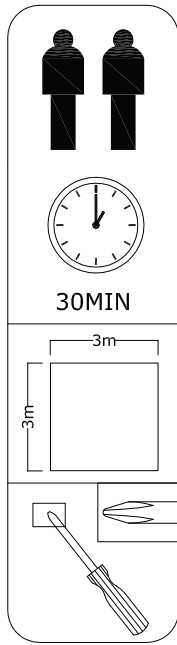


v1.0

ASSEMBLY GUIDE

Chelsea Small Dining Table

You should have:

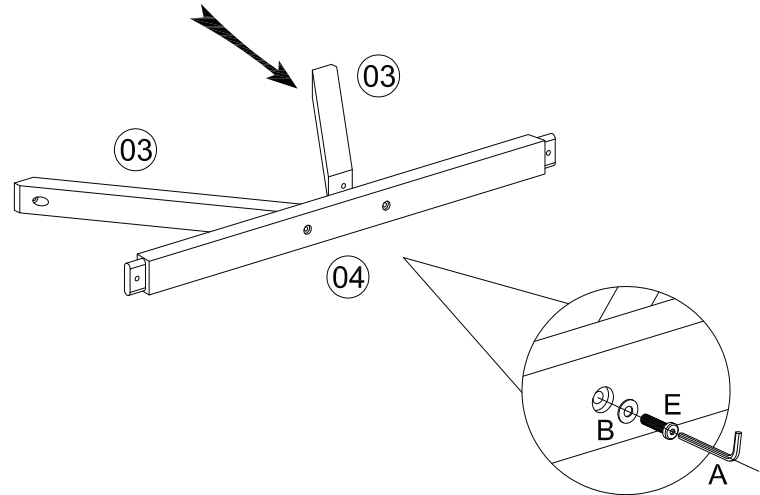
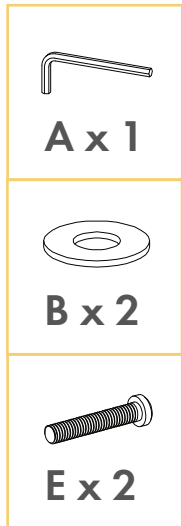


A			M5mmX67mm	1
B			Ø8mmX19mmX1.2mm	14
C			Ø8mmX51mm	2

D			Ø8mmX38mm	2
E			Ø8mmX63mm	10

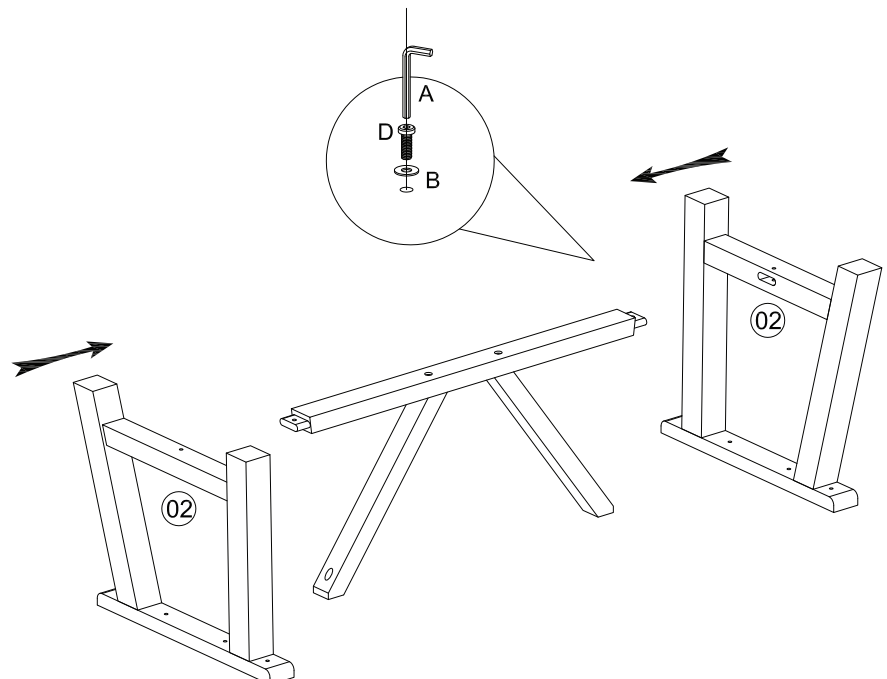
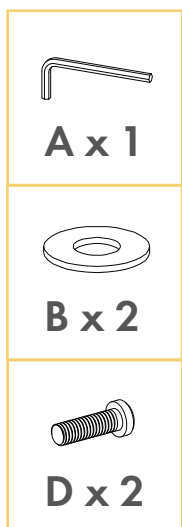
Step 1

Attach the two Supporting Beams (03) to the Bottom Beam (04) with the screws (E), washers (B) and allen key (A).







Step 2

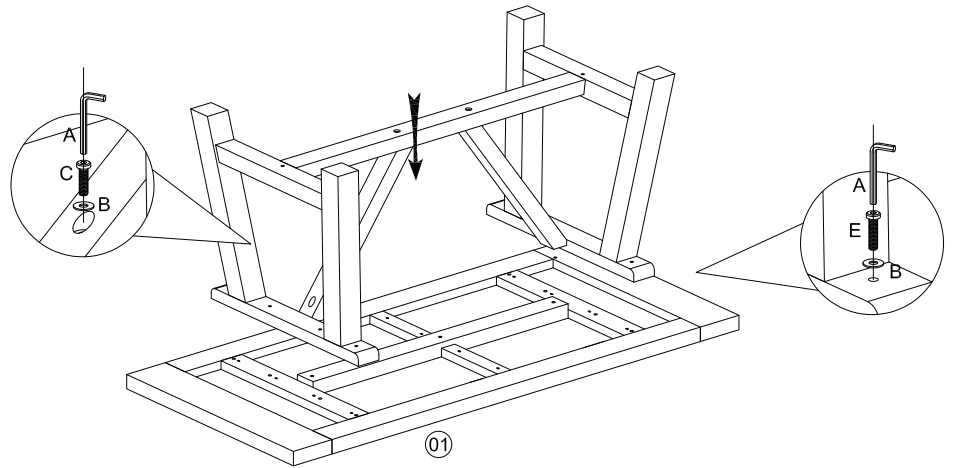
Further attach the side frames (02).



Step 3

Now attach this to the table top (01).

- 
A x 1
- 
B x 10
- 
C x 2
- 
E x 8



Step 4

Enjoy your new table!

