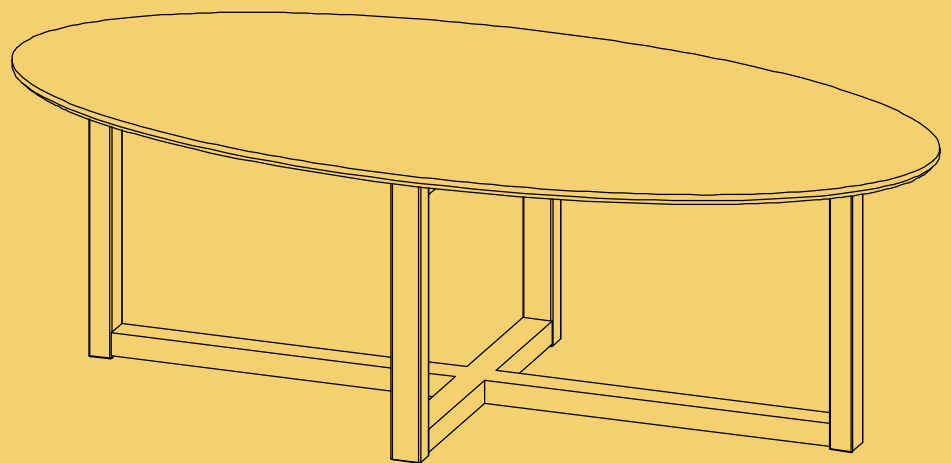


BROSA

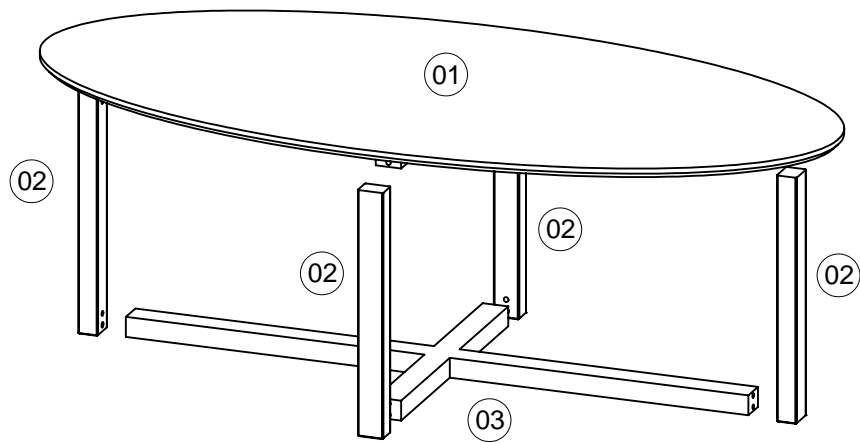
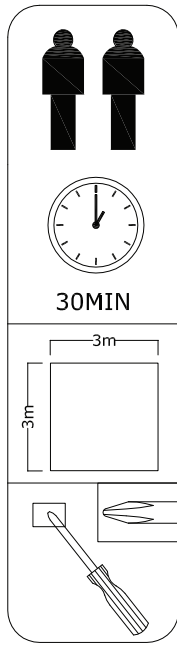


v1.0

ASSEMBLY GUIDE

Leo coffee table

You should have:



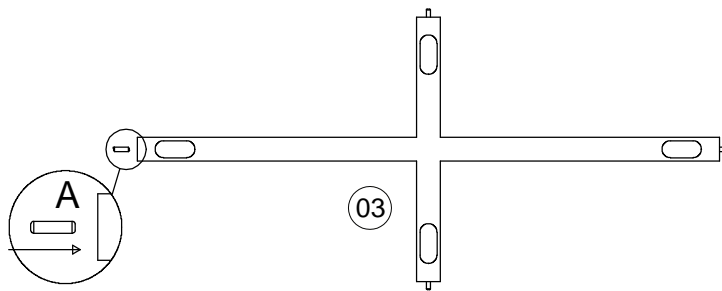
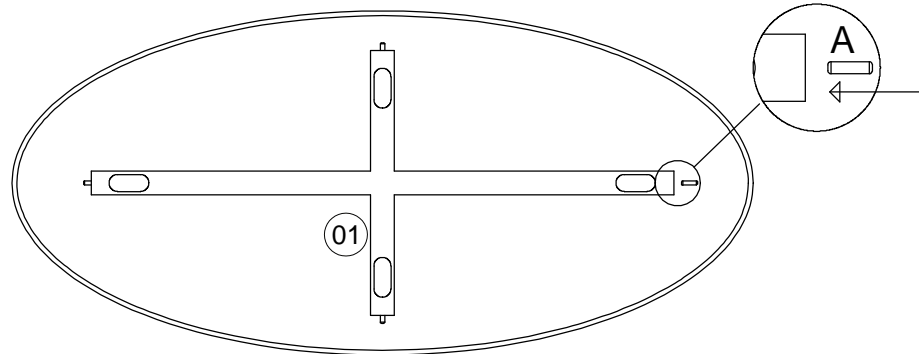
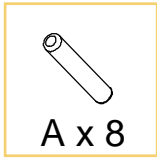
A			8x40mm	8
B			25x14x6mm	8

C			6x10x1.5mm	8
D			6x65mm	8

E			M5	1

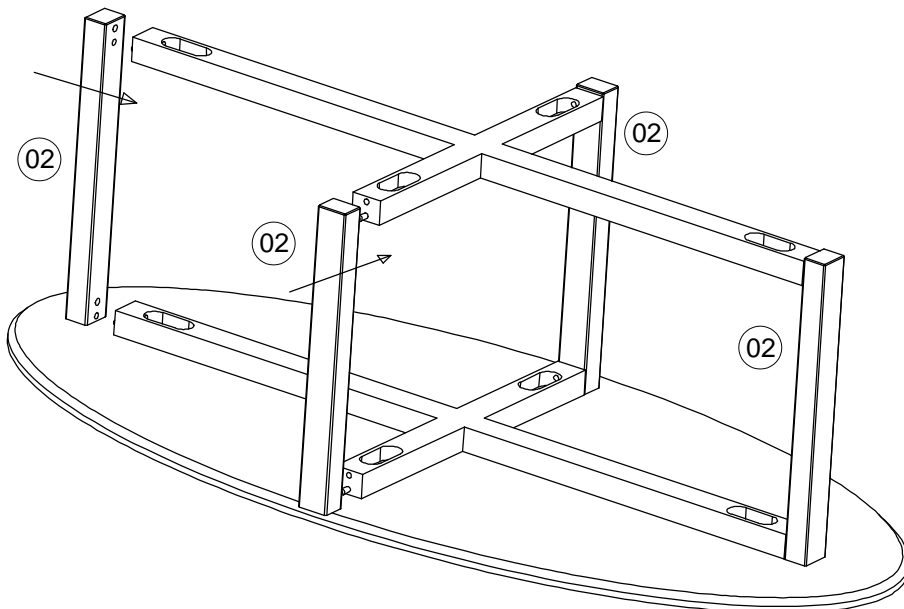
Step 1

Fit a dowel (A) into the hole on the frame (03).



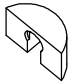

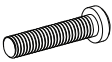

Step 2

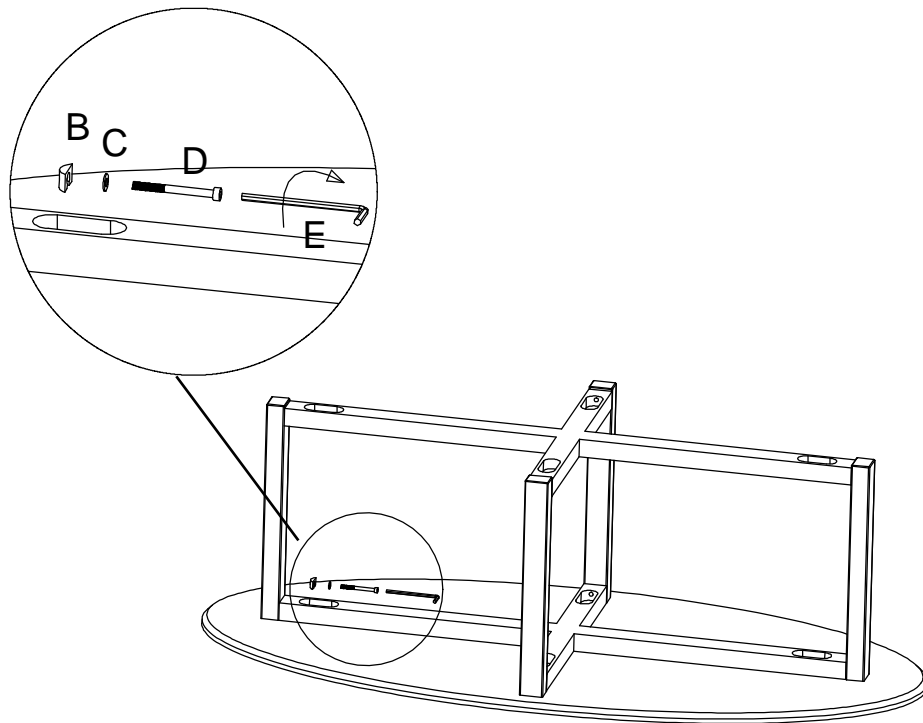
Fix the leg (02) on the frame (03). Do this for each leg.



Step 3

Place a woodruff key (B) and a washer (C) on a screw (D) into the holes of the leg.

- 
Bx 8
- 
Cx 8
- 
Dx 8
- 
Ex 1



Step 4

Enjoy your new table!

