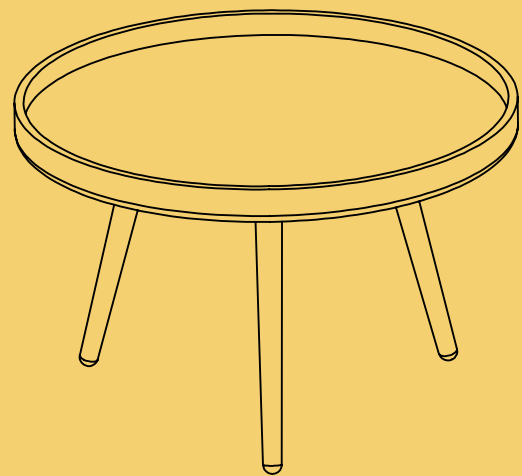


BROSA

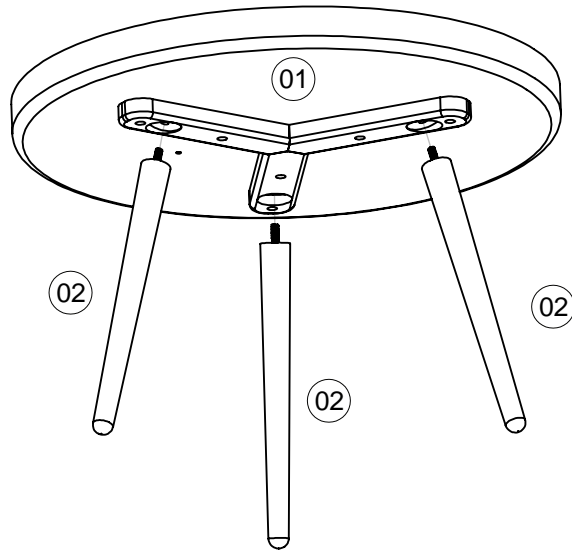
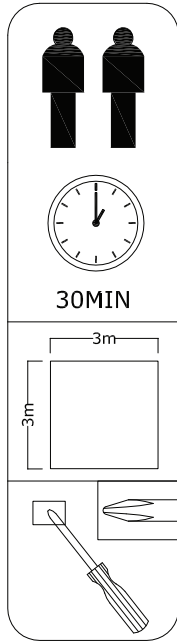


v1.0

ASSEMBLY GUIDE

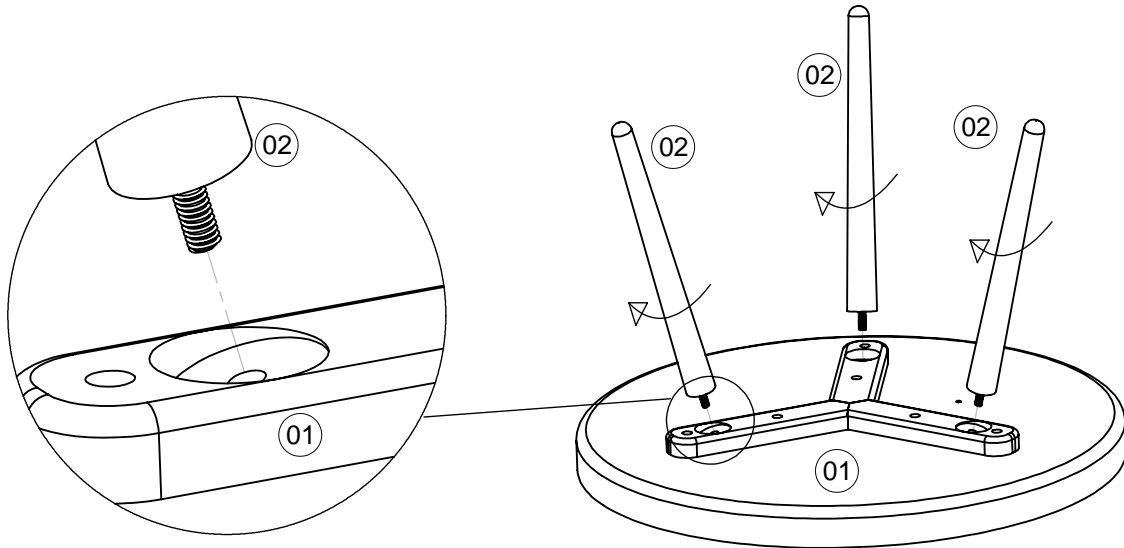
Piccolo side table

You should have:



Step 1

Fit a leg (02) into the hole on the back of table top (01).



Step 2

Enjoy your new table!

