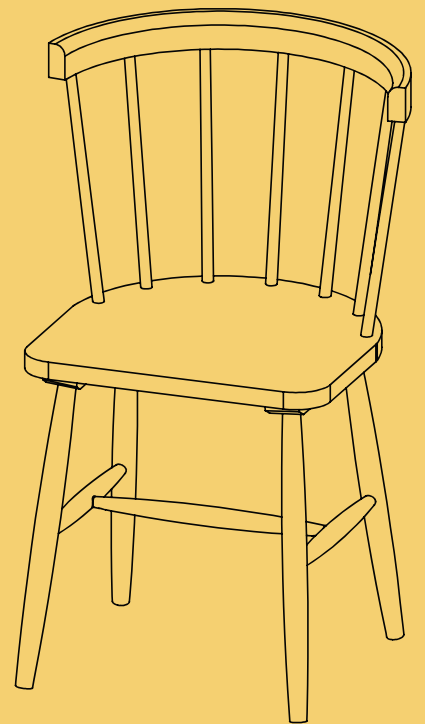


v1.0

BROSA

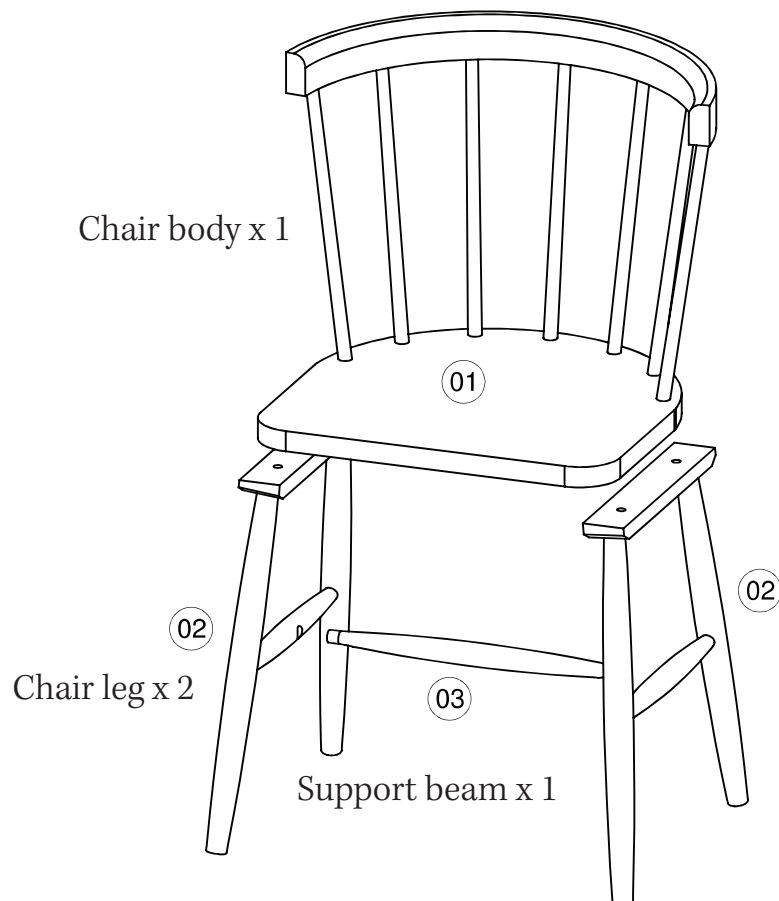


ASSEMBLY GUIDE

Henry Scoop Back Dining Chair

Components

Upon unpacking your chair from it's delivery box, you should have the separate pieces shown below. Follow the steps on the next pages to assemble your new chair.



Hardware



A x 4
Spec: Ø6 x 35mm



B x 4
Spec: Ø6 x 10 x 1.8mm



C x 4
Spec: Ø6 x 16 x 1.5mm

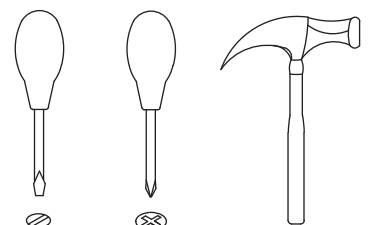
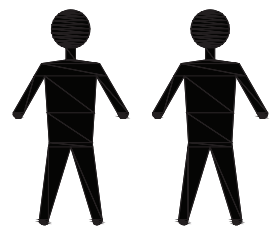


D x 2
Spec: Ø4 x 30mm



E x 1
Spec:

What you need



Step 1

1.1 Align the support beam (03) to both of the legs (02) and with another person, insert the screws (D) into the holes and screw tightly in place with a phillips head screwdriver.



A x 4



B x 4



C x 4

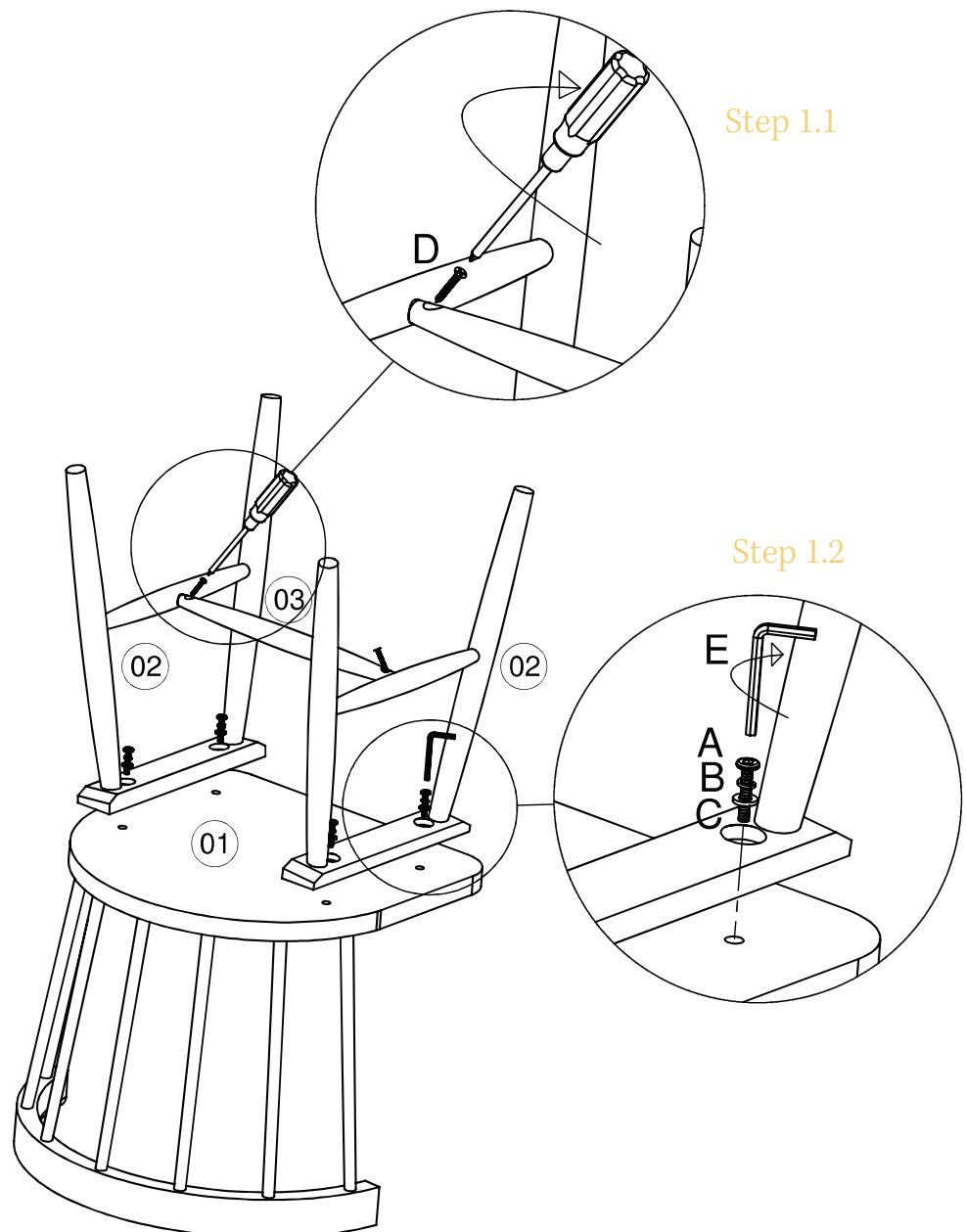


D x 2



E x 1

1.2 Align the structure (02 & 03) to the body of the chair (01) so that the screw holes are overlapping and have another person hold it in place. Fit a spring washer (B) to a bolt (A) followed by a washer (C) and screw into each hole. Use the Allen Key (E) to tighten all parts into place.



Step 1.1

Step 1.2

Step 2

Turn upright and place the chair on a level surface.
Enjoy your new dining chair!

