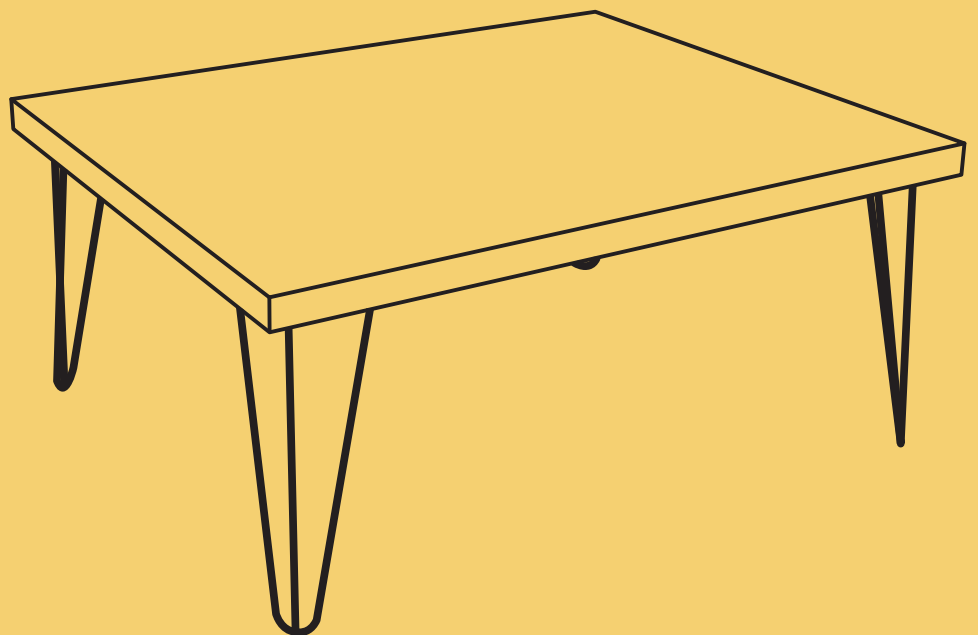


v1.0

BROSA



ASSEMBLY GUIDE

Marc Coffee Table

Components

Upon unpacking your coffee table from its delivery box, you should have 21 separate pieces (shown below). You will need a power drill with a phillips head drill bit to assist in the assembly of the table.

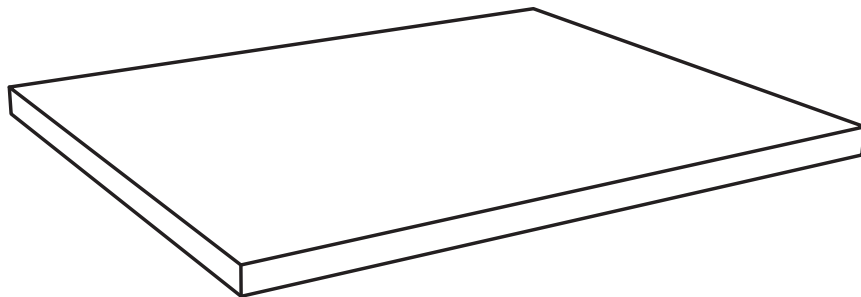
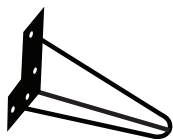


Table Top x 1



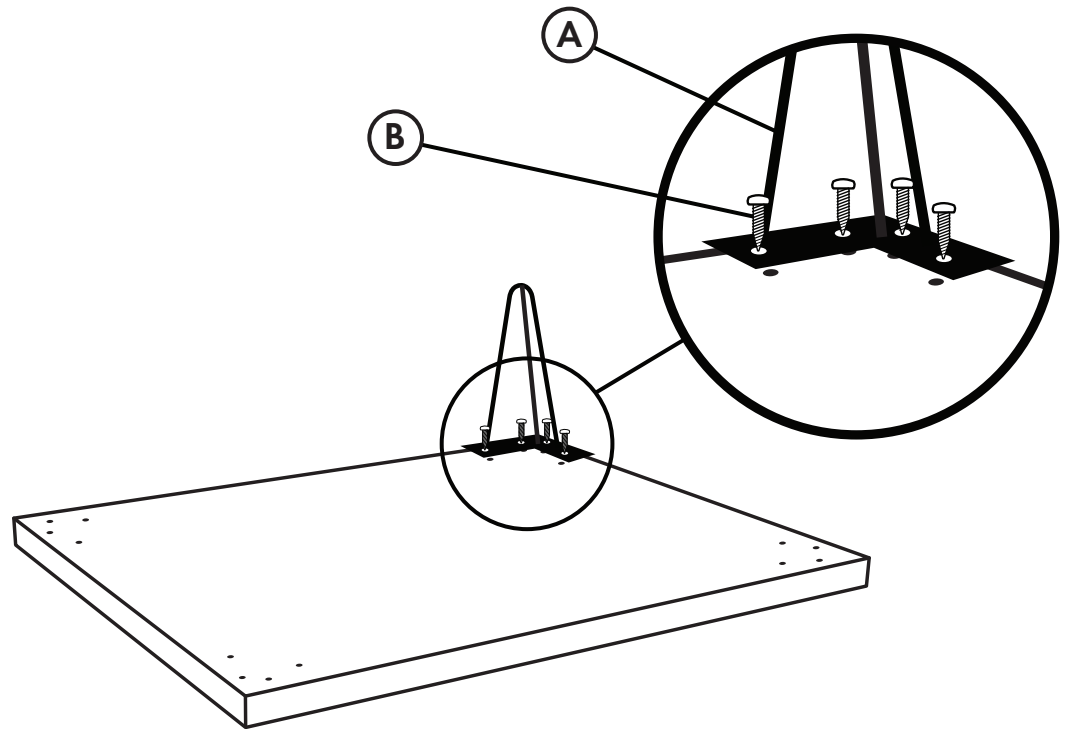
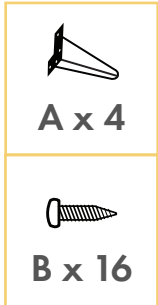
A x 4 (Leg)



B x 16 (Screws)

Step 1

Align a leg (A) so the screw holes are overlapping. Insert a screw (B) into the hole and screw in tightly with the power drill. Repeat for all legs.



Step 2

Flip the table over to be the right way up and enjoy!

