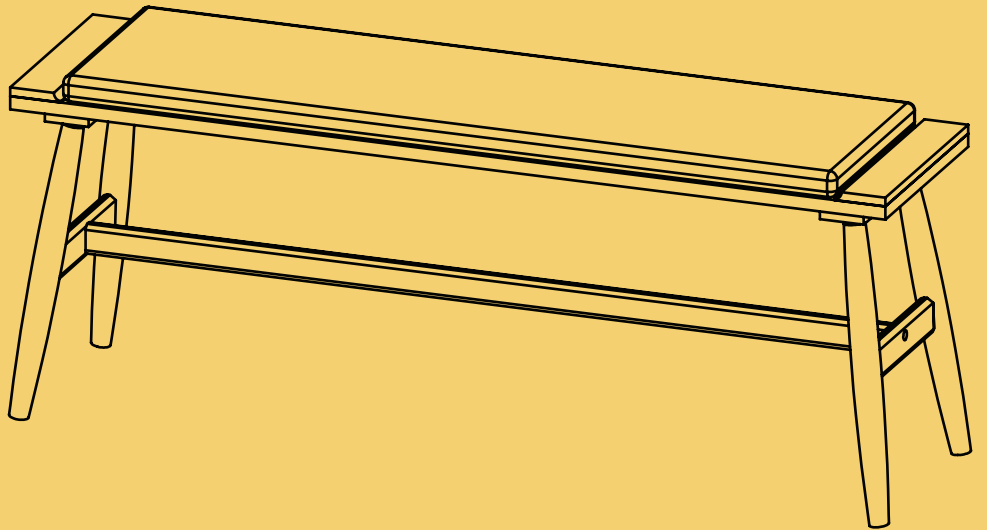


v1.0

BROSA

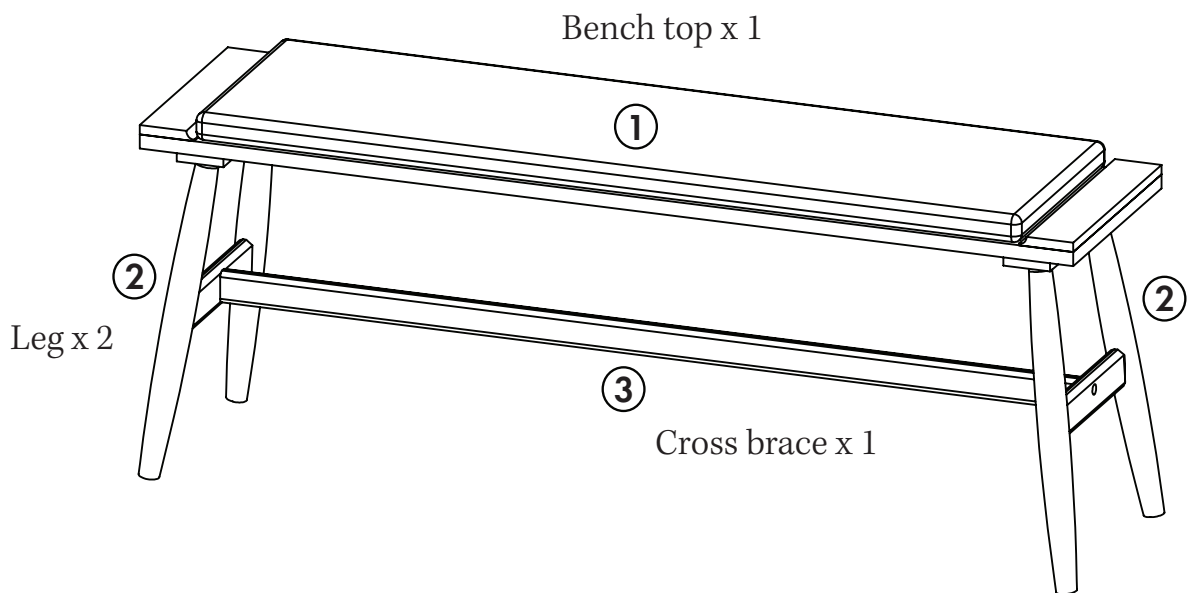


ASSEMBLY GUIDE

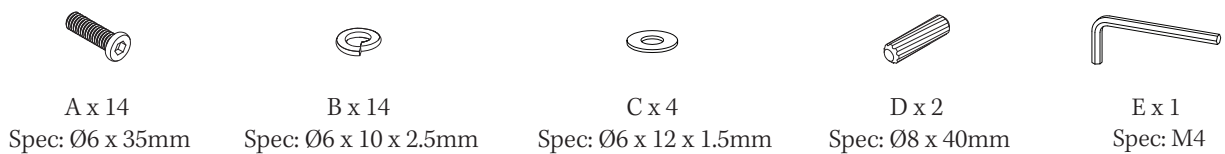
Hille Bench Seat

Components

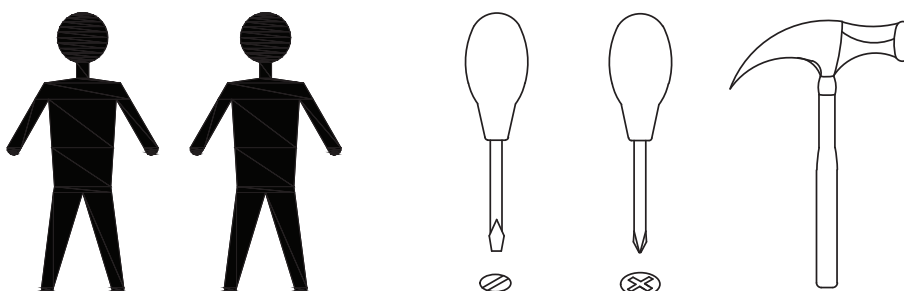
Upon unpacking your bench seat from it's delivery box, you should have the separate pieces shown below. Follow the steps on the next pages to assemble your new bench seat.



Hardware




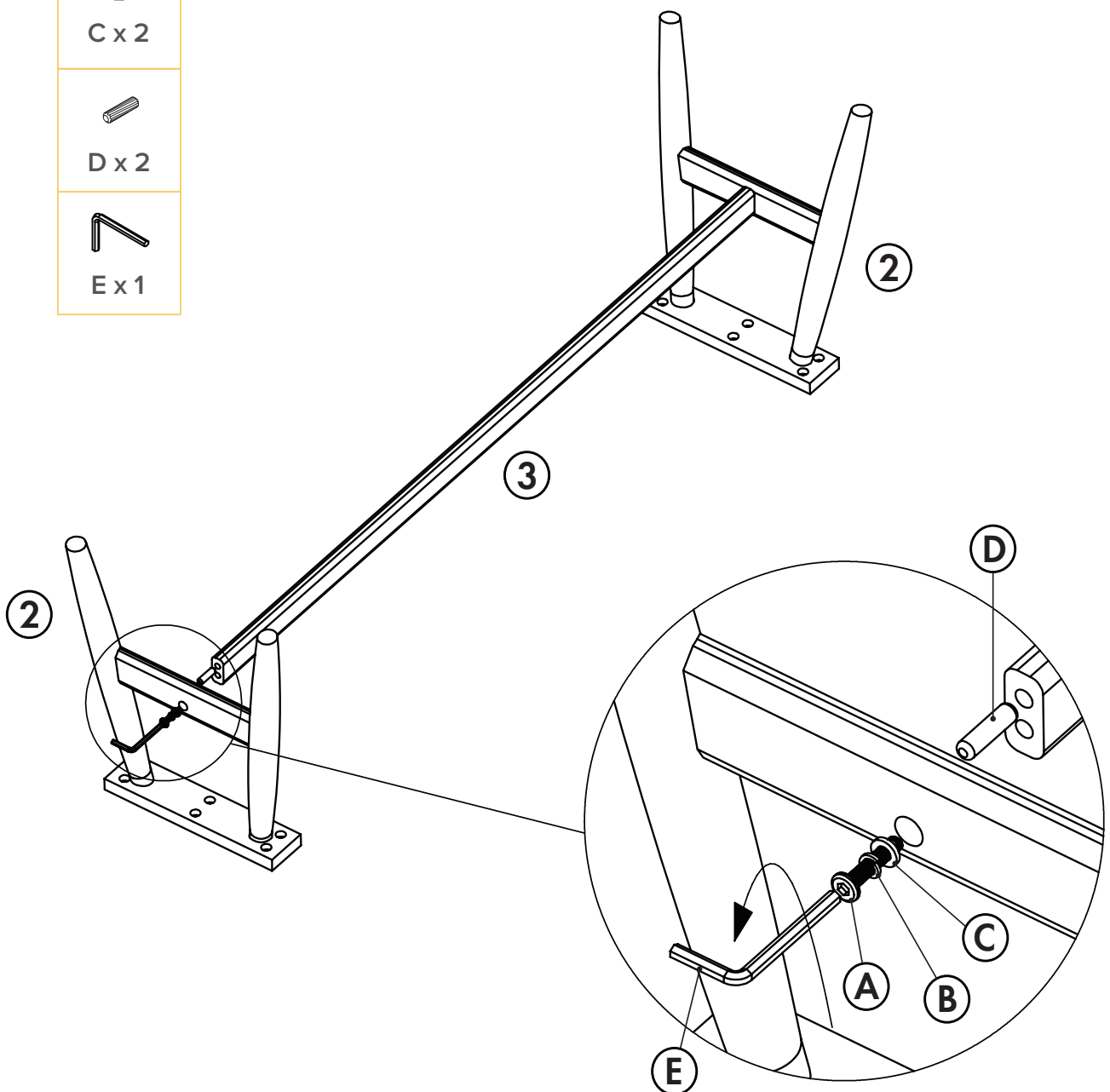
What you need



Step 1

Insert a dowel (D) into one of the holes on either end of the cross brace (3). Align a leg (2) to the cross brace (3) and press together. Repeat for the other leg (2). Fit a spring washer (B) to a bolt (A) followed by a washer (C) and screw into the hole in the (2) leg to secure the cross brace (3). Repeat for the other side and use the allen key (E) to tighten the bolts (A).

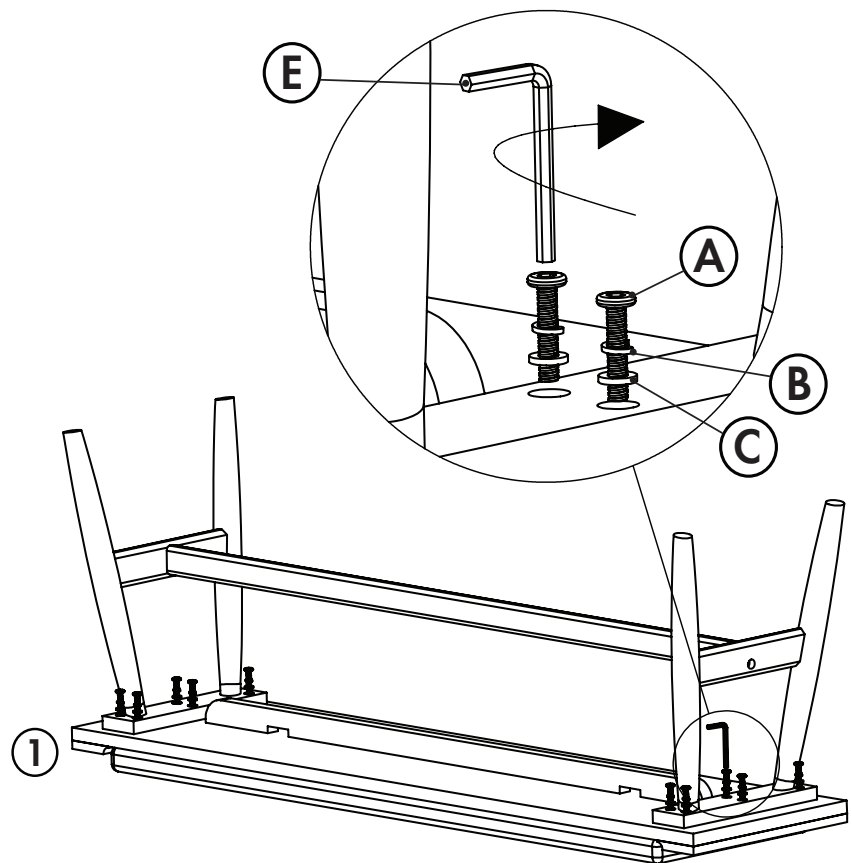
- 
A x 2
- 
B x 2
- 
C x 2
- 
D x 2
- 
E x 1



Step 2



Align the structure formed in **Step 1** to the underside of the bench top (1). Fit a spring washer (B) to a bolt (A) followed by a washer (C) and screw into a hole. Repeat for the remaining bolts (A) to secure the structure to the bench top (1) and use the allen key (E) to tighten all of the bolts (A).



Step 3

Gently lift the bench upright and place on a level surface. Enjoy your new bench seat!

