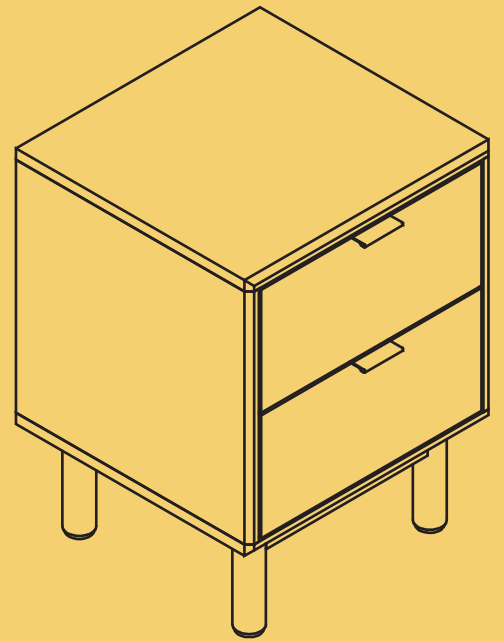


v1.0

BROSA

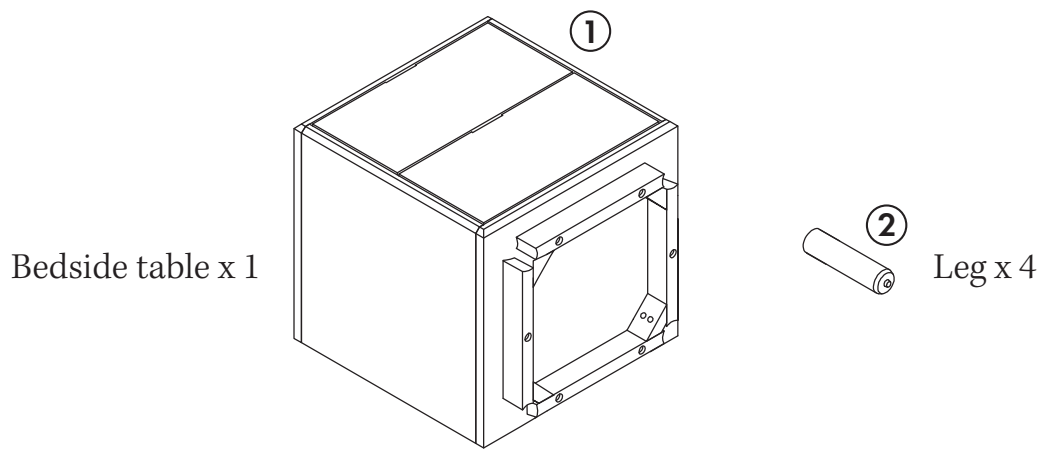


ASSEMBLY GUIDE

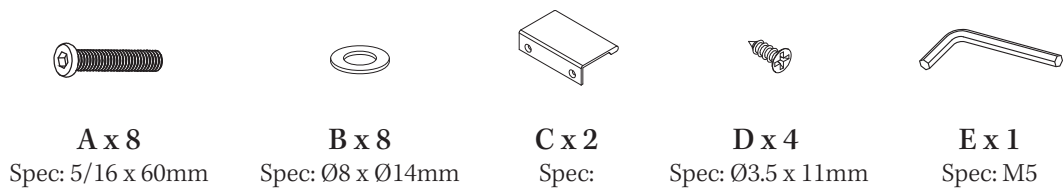
Parc Bedside Table

Components

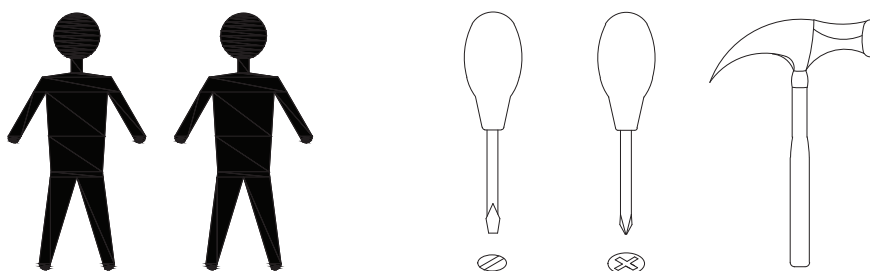
Upon unpacking your bedside table from its delivery box, you should have the separate pieces shown below. Follow the steps on the next pages to assemble your new bedside table.



Hardware

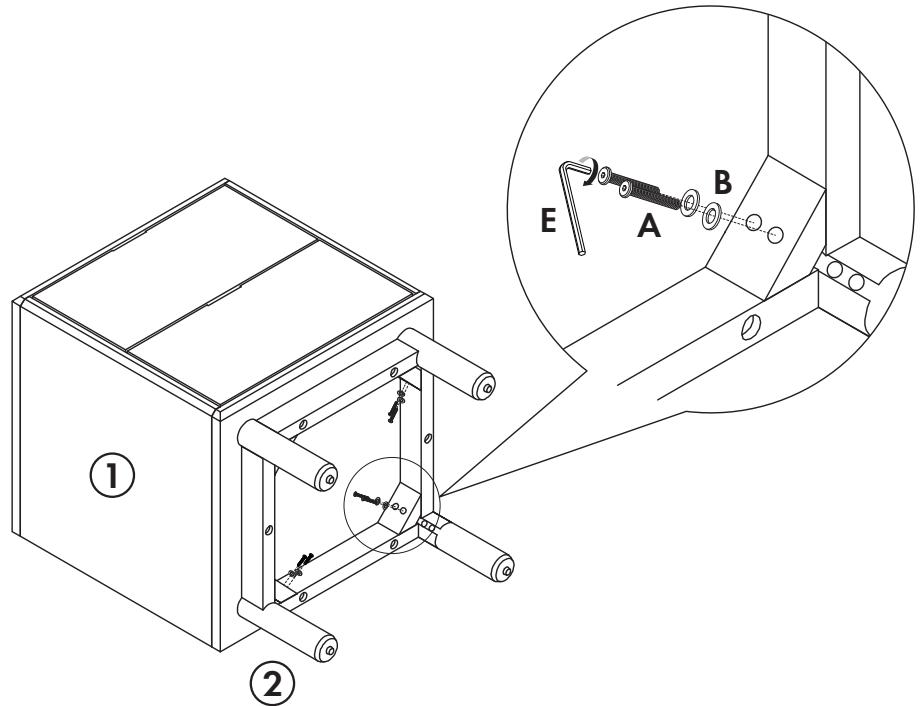


What you need



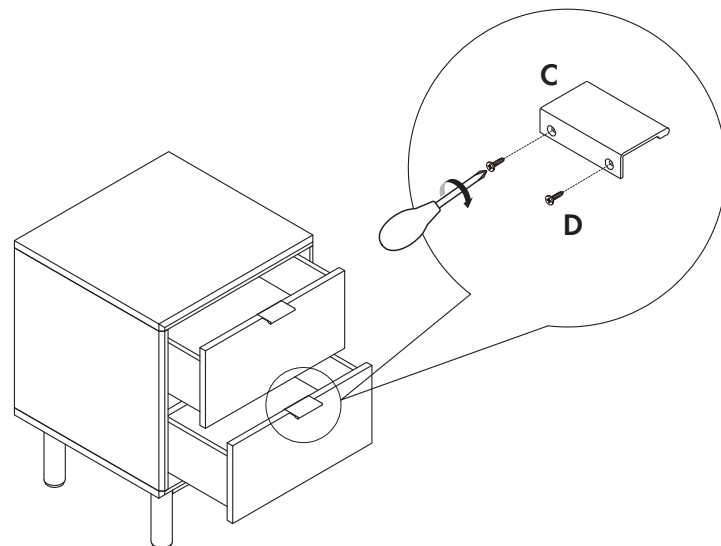
Step 1

Align a leg (2) to the underside of the bedside table (1) so that the screw holes are overlapping. Fit a washer (B) to a bolt (A) and screw into a hole and repeat for the other bolt to secure the leg in place. Repeat process for the remaining legs (2) and use the allen key (E) to tighten all of the bolts (A).



Step 2

Lift the bedside table and turn it upright placing it firmly down on a level surface. Align a handle (C) to its corresponding place and secure it with two screws (D). Repeat for the other handle (C).



Step 3

The bedside table is 45cm wide by 61cm high and 43cm deep and can take up to 60kg maximum weight on top and 4kg inside each draw. Enjoy your new bedside table!

