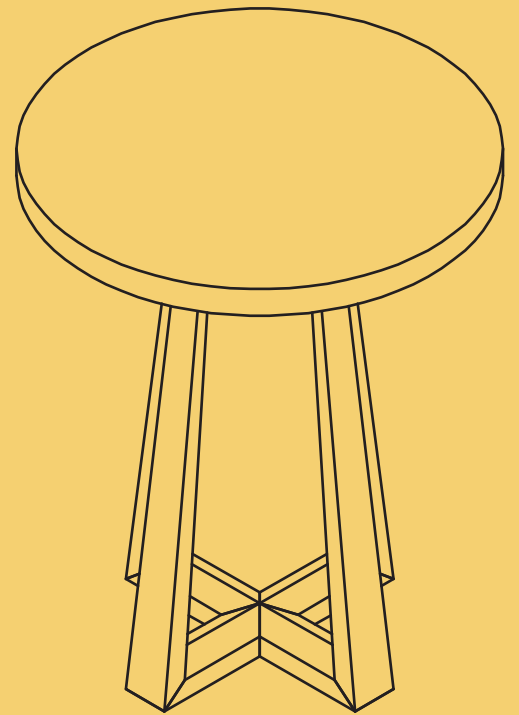


v1.0

BROSA

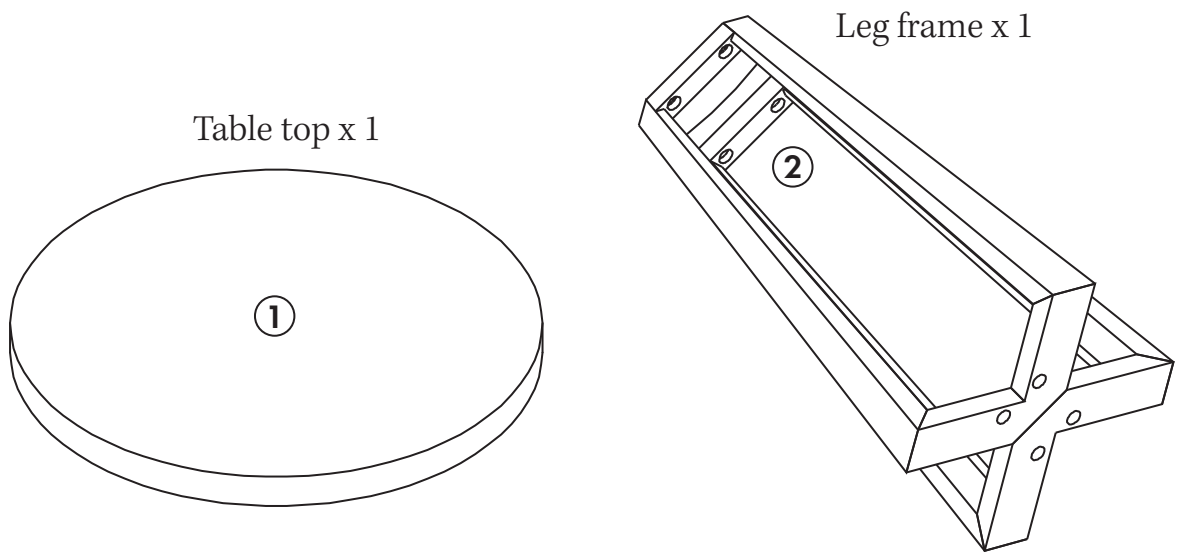


ASSEMBLY GUIDE

Parc End Table

Components

Upon unpacking your end table from its delivery box, you should have the separate pieces shown below. Follow the steps on the next pages to assemble your new end table.



Hardware



A x 4
Spec: 5/16 x 30mm

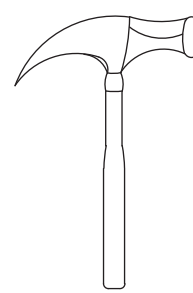
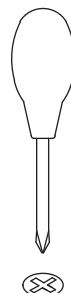
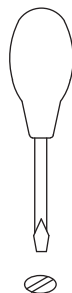
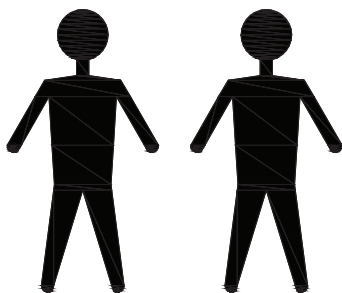


B x 4
Spec: Ø8 x Ø14mm





C x 1
Spec: M5

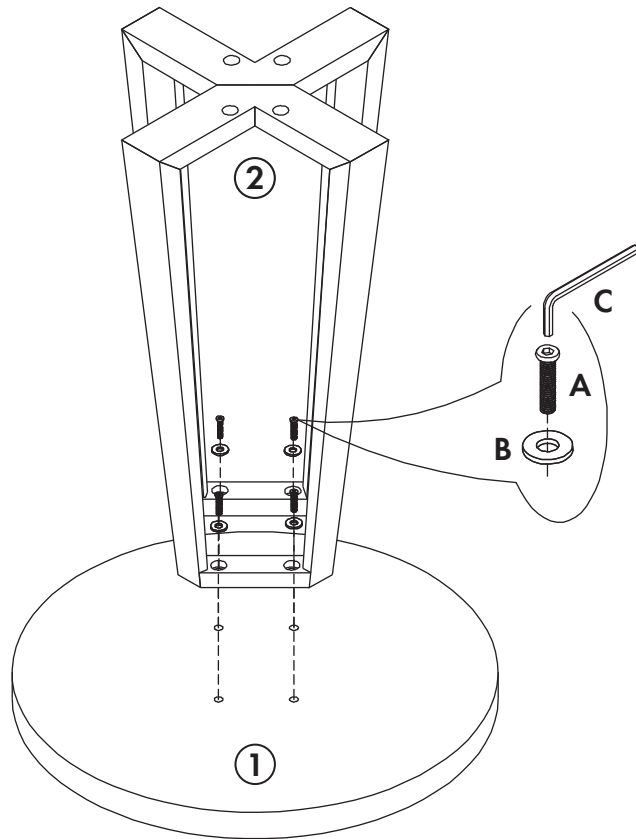
What you need



Step 1

Align the leg frame (2) to the underside of the table top (1) so that all of the screw holes overlap. Fit a washer (B) to a bolt (A) and screw into each hole and use the allen key (C) to tighten all in place.

-  A x 4
-  B x 4
-  C x 1



Step 2

Gently lift the table and place upright on a level surface. Enjoy your new end table!

