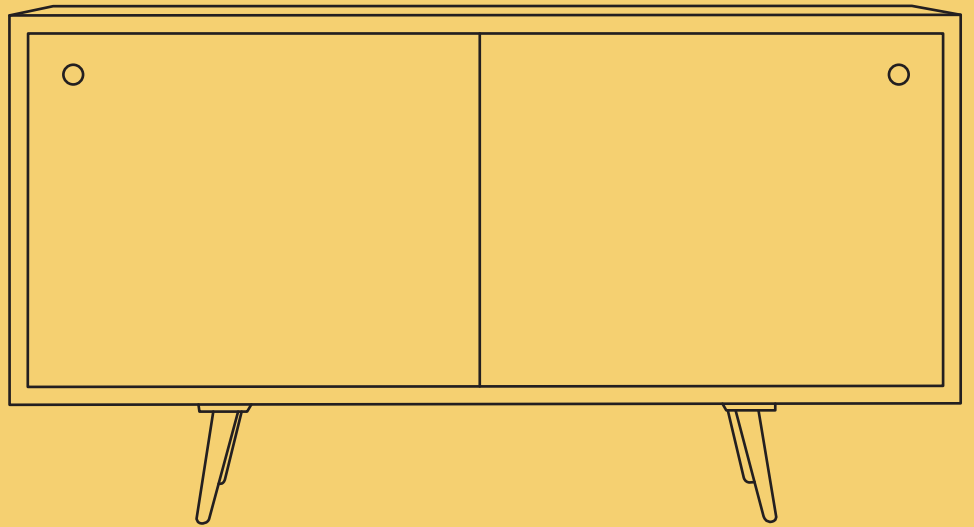


v1.0

# BROSA

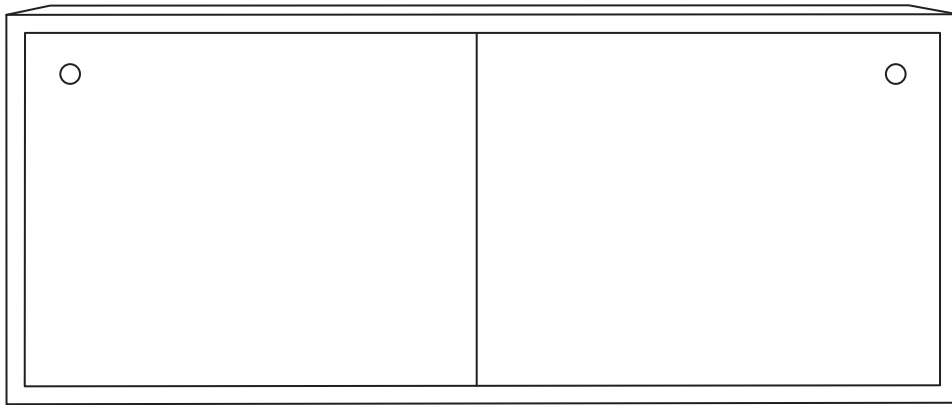


**ASSEMBLY GUIDE**

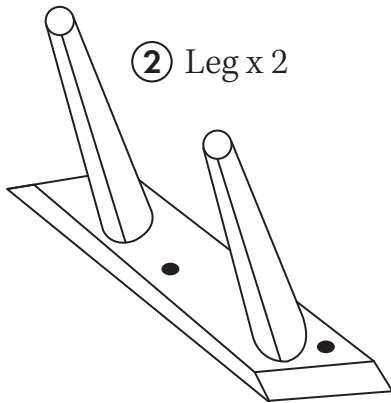
## Holmes Sideboard

# Components

Upon unpacking your sideboard from it's delivery box, you should have the separate pieces shown below. Follow the steps on the next pages to assemble your new sideboard.



① Sideboard x 1



② Leg x 2

## Hardware



**A x 6**  
Spec: 6 x 40mm

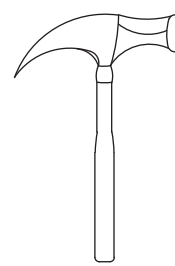
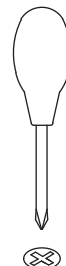
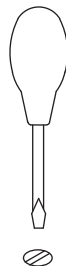
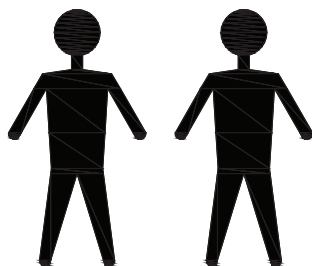


**B x 6**  
Spec: 8mm



**C x 1**  
Spec: 4mm

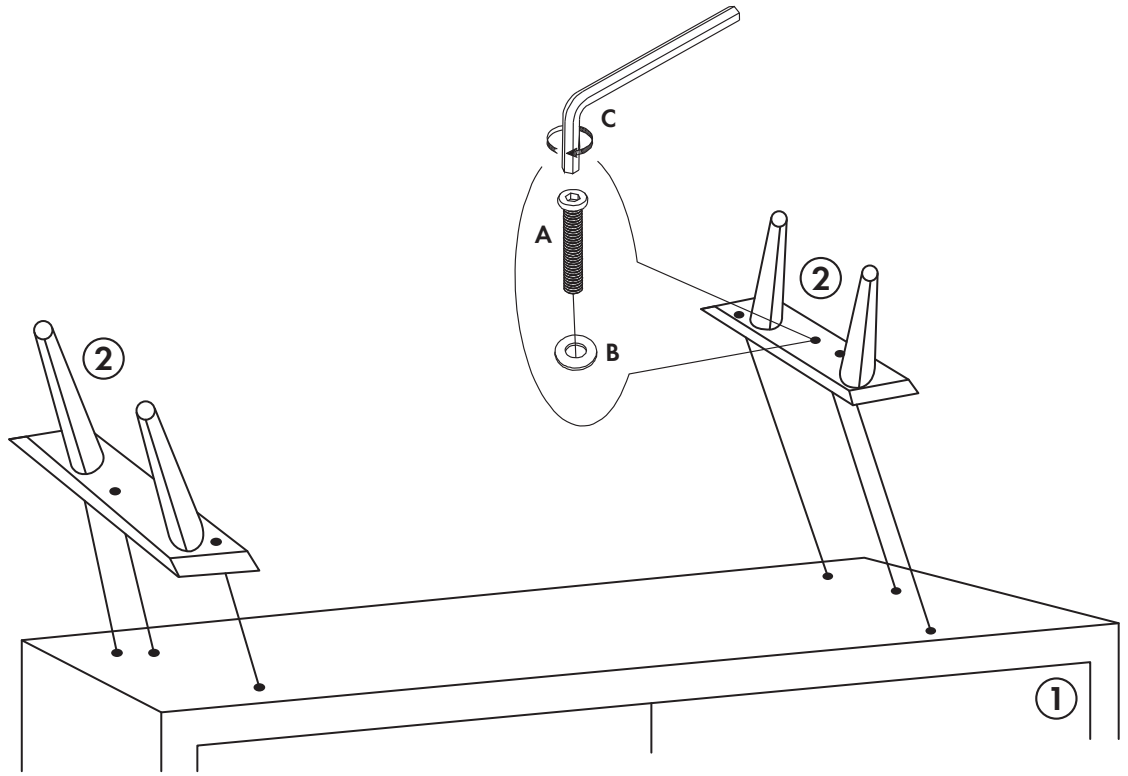
## What you need



# Step 1

Align a leg (2) to the underside of the sideboard (1) so that the screw holes are overlapping. Fit a washer (B) to a bolt (A) and screw into a hole and repeat for the other bolts to secure the leg in place. Repeat process for the other leg (2) and use the allen key (C) to tighten all of the bolts (A).

-   
A x 6
-   
B x 6
-   
C x 1



# Step 2

Gently lift the sideboard and place upright on a level surface. Enjoy your new sideboard!

