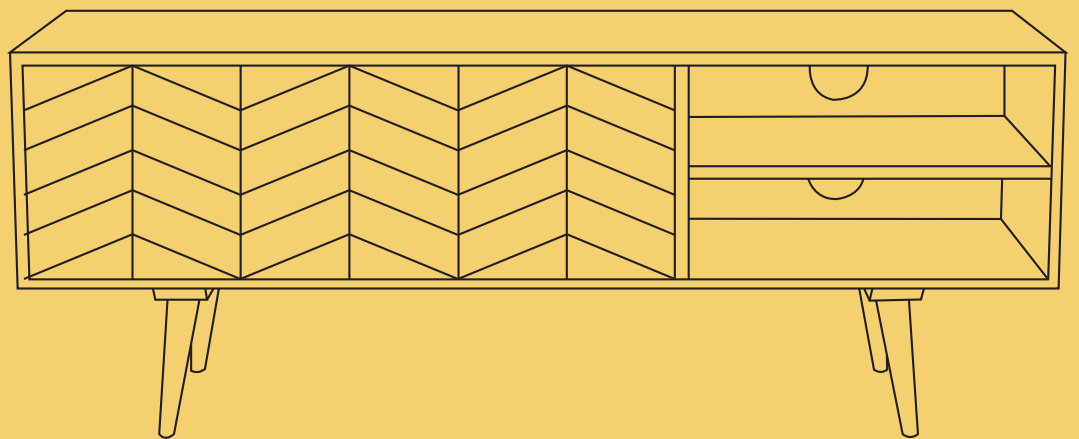


v1.0

BROSA

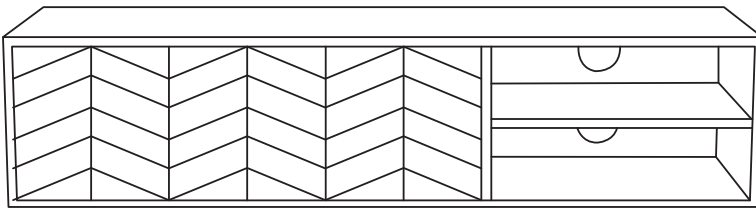


ASSEMBLY GUIDE

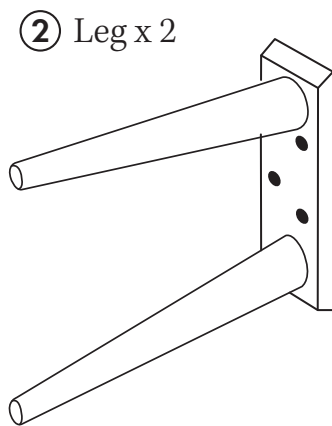
Potter Entertainment Unit

Components

Upon unpacking your entertainment unit from its delivery box, you should have the separate pieces shown below. Follow the steps on the next pages to assemble your new entertainment unit.



① Cabinet x 1



② Leg x 2

Hardware



A x 6
Spec: 6 x 40mm

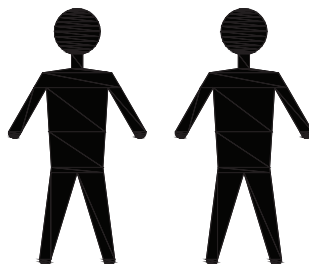


B x 6
Spec: 8mm



C x 1
Spec: 4mm

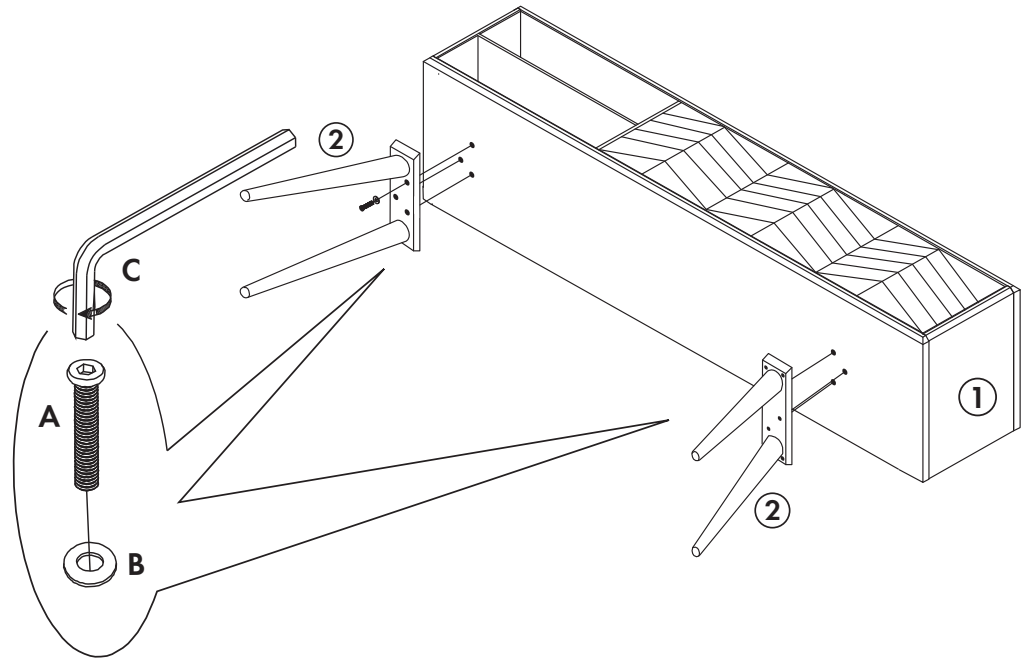
What you need



Step 1

Align a leg (2) to the underside of the cabinet (1) so that the screw holes are overlapping. Fit a washer (B) to a bolt (A) and screw into a hole and repeat for the other bolts to secure the leg in place. Repeat process for the other leg (2) and use the allen key (C) to tighten all of the bolts (A).

- 
A x 6
- 
B x 6
- 
C x 1



Step 2

Gently lift the unit and place upright on a level surface. Enjoy your new entertainment unit!

