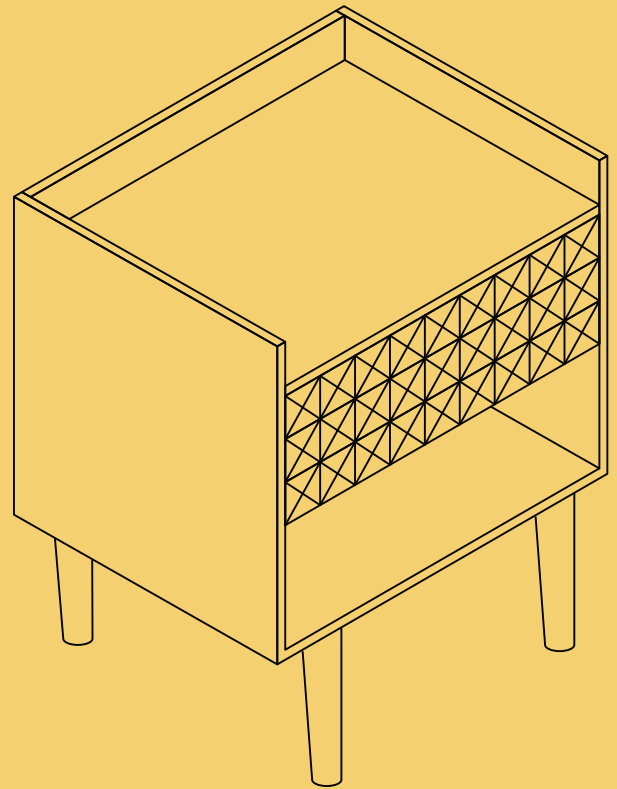


v1.0

# BROSA

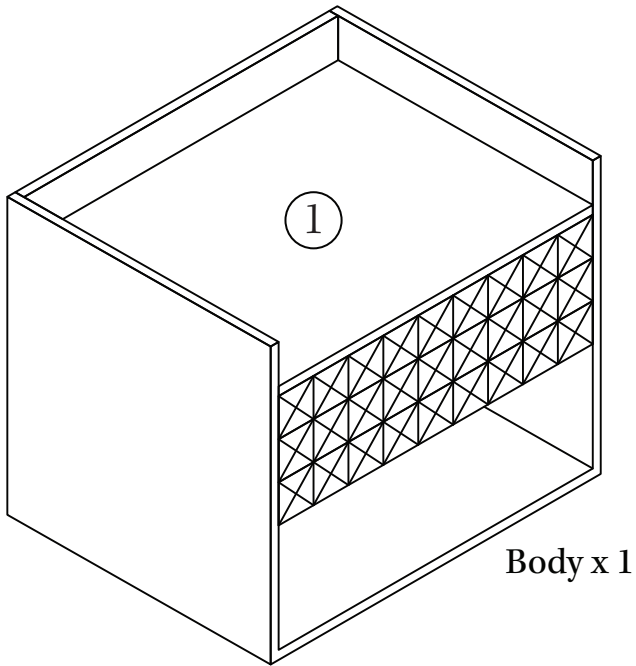


**ASSEMBLY GUIDE**

## Carson Bedside Table

# Components

Before you get started, check you have all of the pieces below. If anything's missing, please visit [www.brosa.com.au/pages/product-return-and-parts-request](http://www.brosa.com.au/pages/product-return-and-parts-request) and we'll sort it out right away.



## Hardware



A x 6

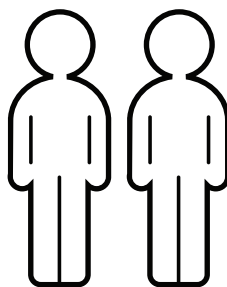


B x 6



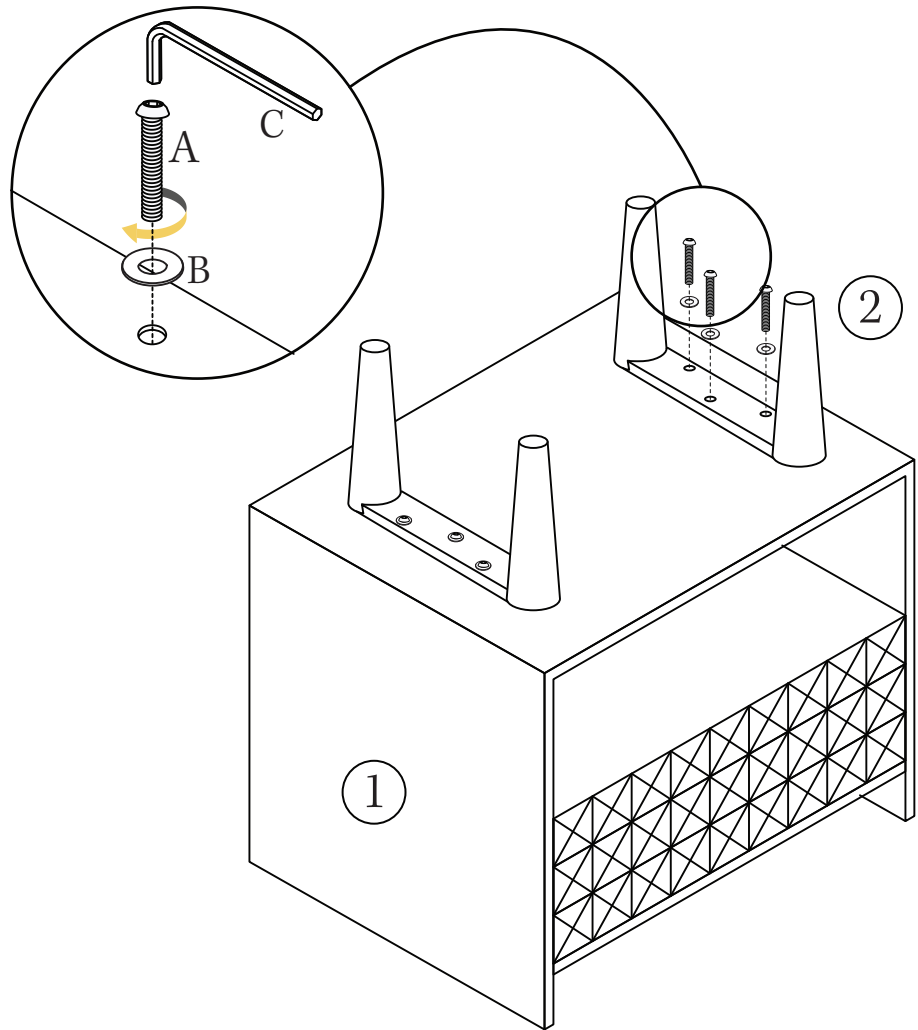
C x 1

## What you need



# Step 1

Align a leg (2) with the underside of the body (1) so that the screw holes overlap. Fit a washer (B) to a bolt (A) and screw it into a hole using the Allen key (C). Repeat this for the remaining holes and then repeat the process for the second leg (2).



# Step 2

With another person, lift the piece of furniture off the ground and place it upright on a level surface. Enjoy your new bedside table!

