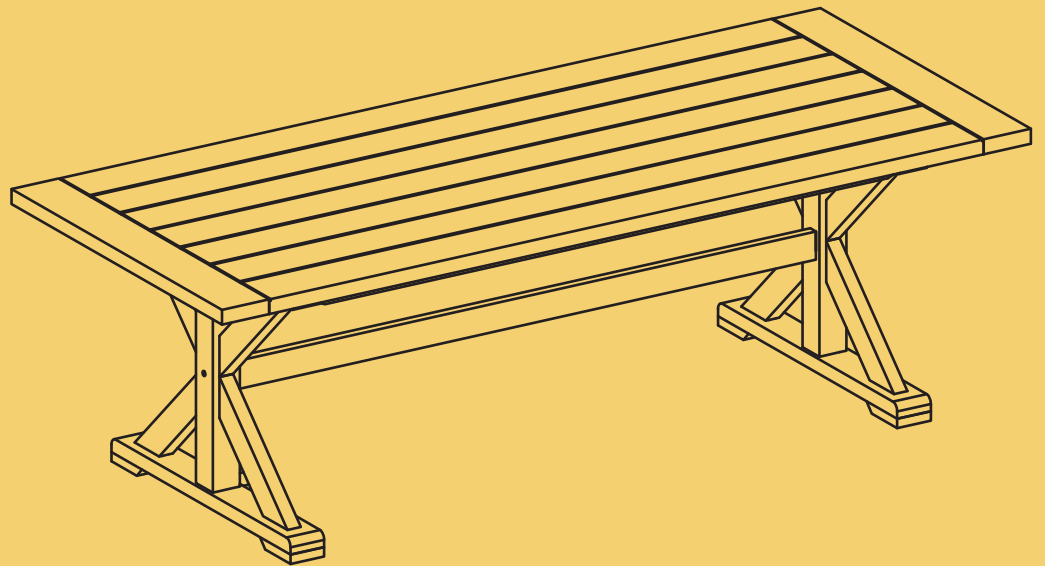


v1.0

BROSA

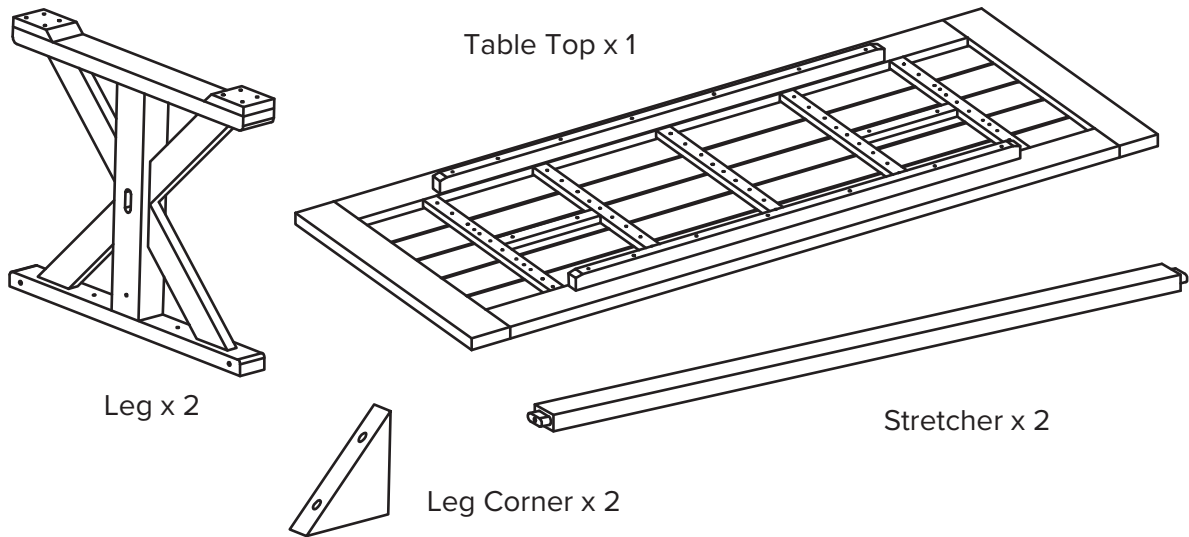


ASSEMBLY GUIDE

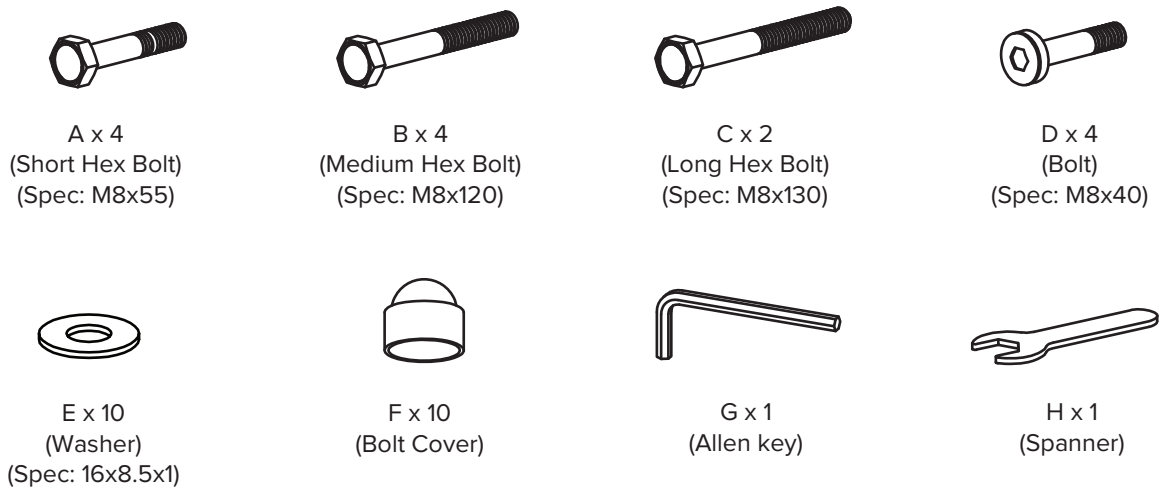
Chablis Outdoor Dining Table

Components

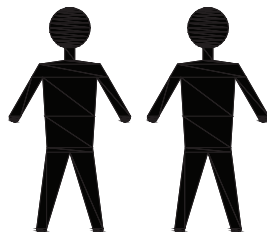
Before you get started, check you have all of the pieces below. If anything's missing, please visit www.brosa.com.au/pages/product-return-and-parts-request and we'll sort it out right away.



Hardware

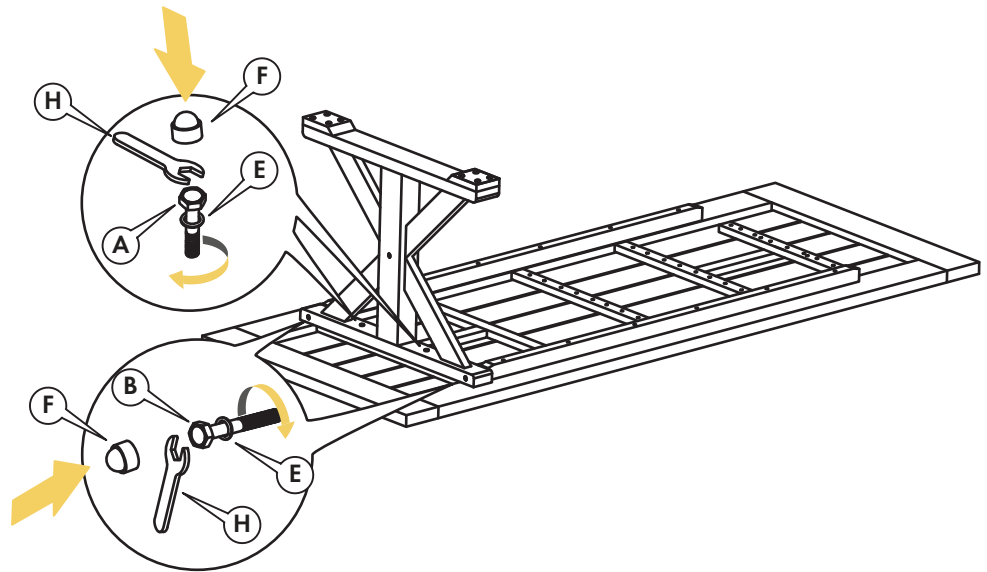


What you need



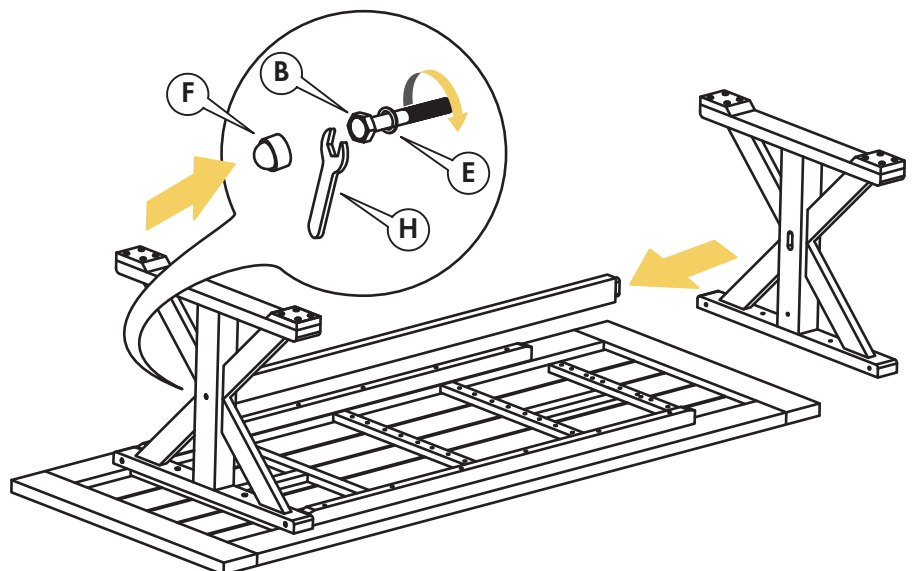
Step 1

Align a leg to the underside of the table so that the bolt holes are overlapping. Fit a washer (E) to a short hex bolt (A) and screw into the bottom side holes using a spanner (H). Fit a washer (E) to a medium hex bolt (B) and screw into the upper holes using a spanner (H). Put covers (F) on all hex bolt heads.



Step 2

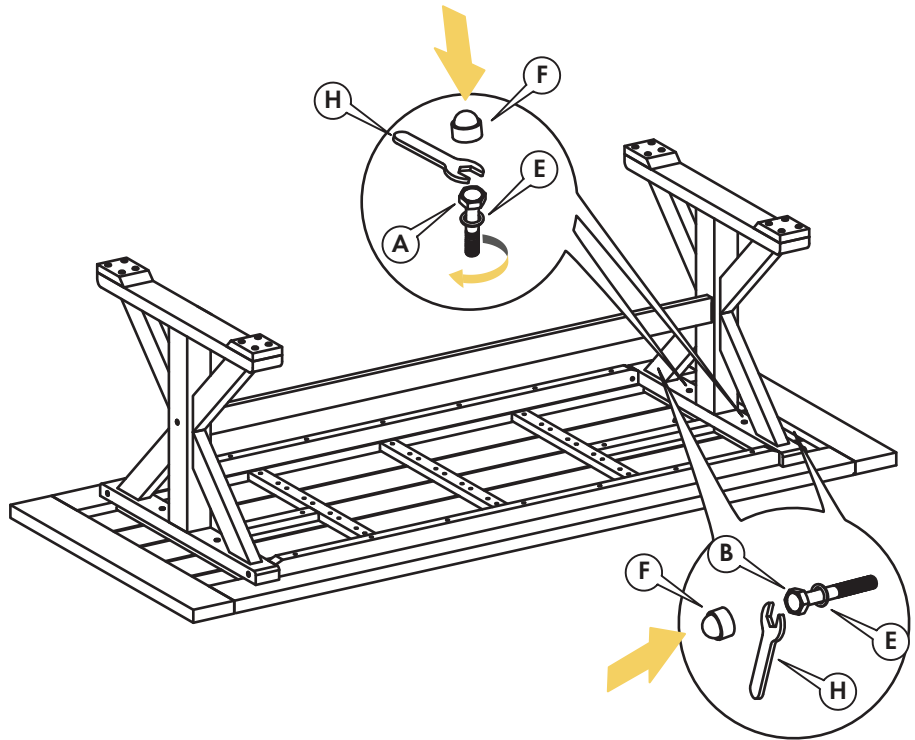
Align the stretcher to the fixed leg. Fit a washer (E) to a long hex bolt (C) and screw into the central hole using a spanner (H). Put a cover (F) on the hex bolt head. Align the second leg to the spanner.



Step 3



Symmetrical to the first leg, fit a washer (E) to a short hex bolt (A) and screw into the bottom side holes using a spanner (H). Fit a washer (E) to a medium hex bolt (B) and screw into the upper holes using a spanner (H). Put covers (F) on all hex bolt heads.

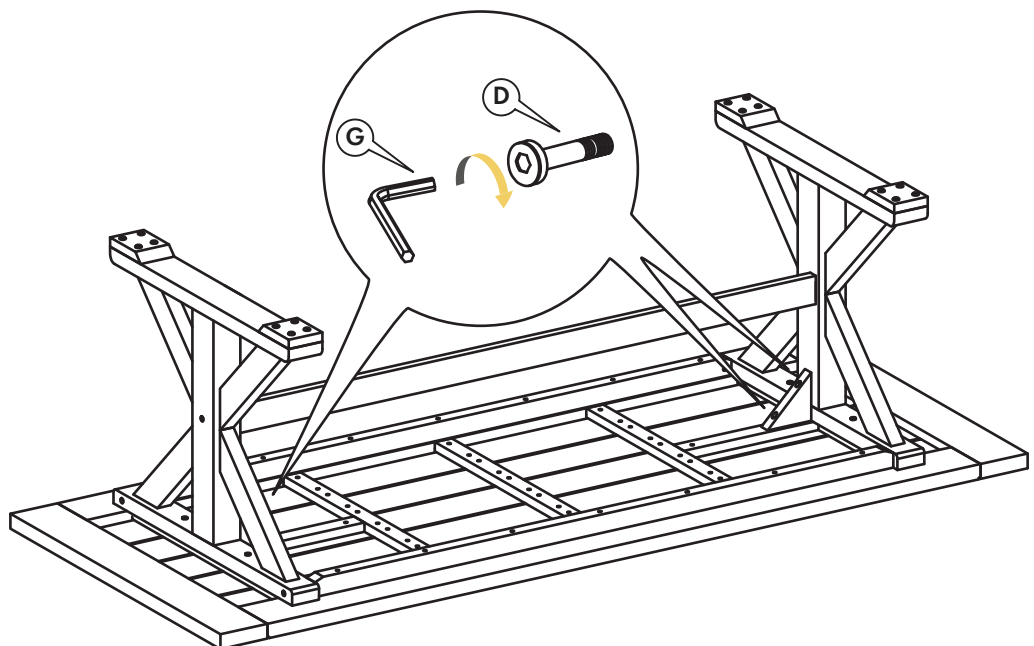
-  A x 2
-  B x 2
-  E x 4
-  F x 4
-  H x 1



Step 4

Align the leg corners to the legs and fix with two bolts (D) using an allen key (G). Repeat for the other corner.

-  D x 4
-  G x 1



Step 5

Gently lift the table and place upright on a level surface. Enjoy your new table!

