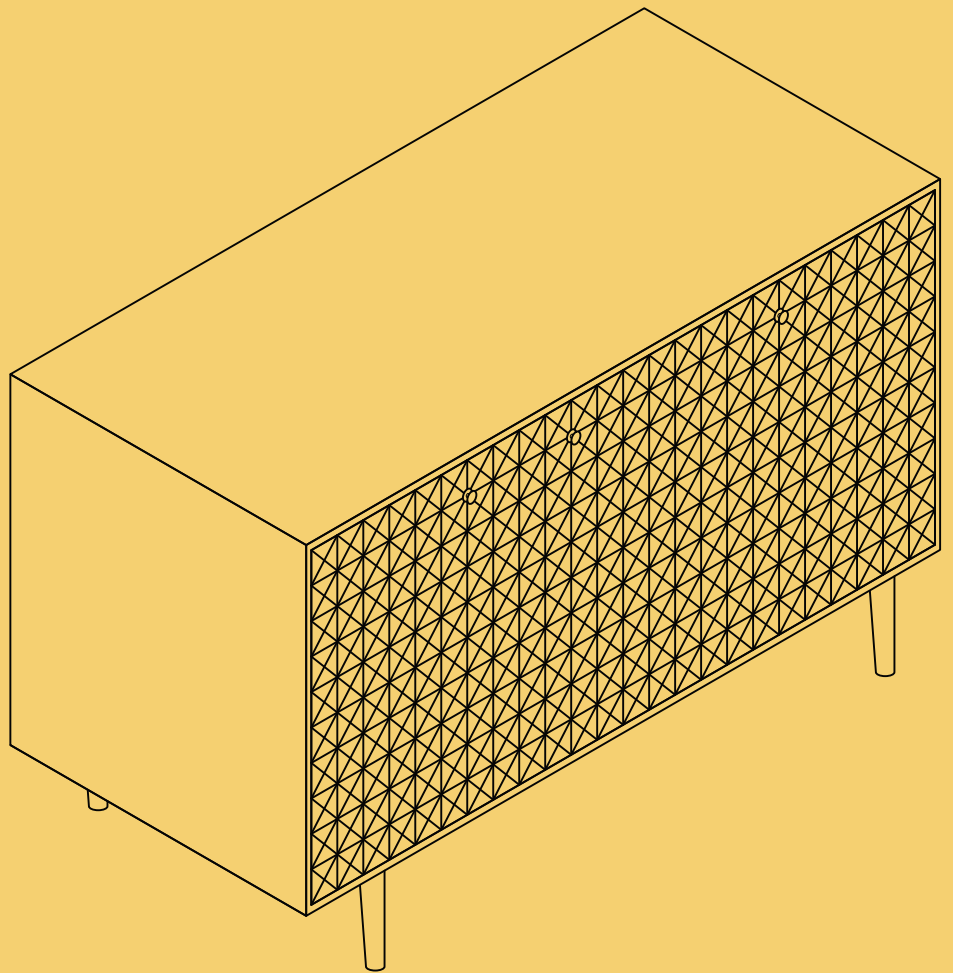


v1.0

BROSA

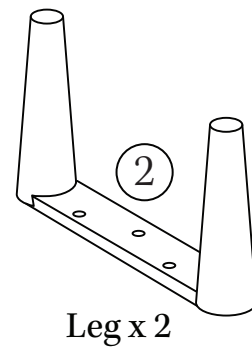
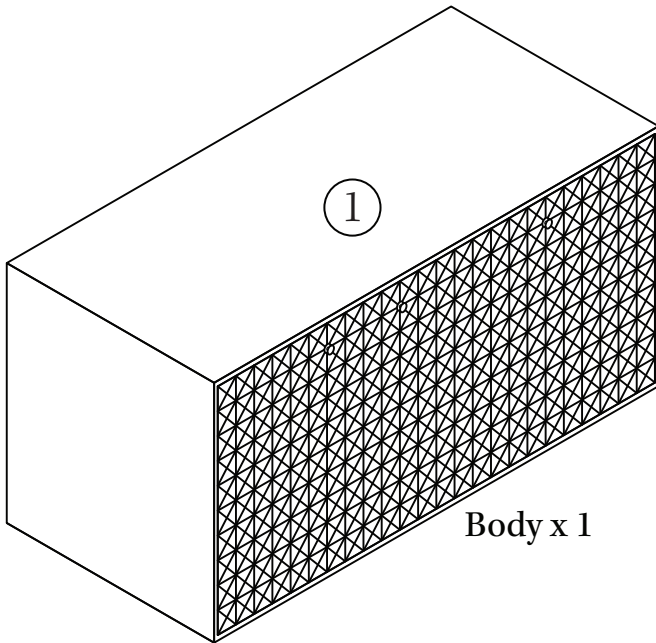


ASSEMBLY GUIDE

Carson Sideboard

Components

Before you get started, check you have all of the pieces below. If anything's missing, please visit www.brosa.com.au/pages/product-return-and-parts-request and we'll sort it out right away.



Hardware



A x 6

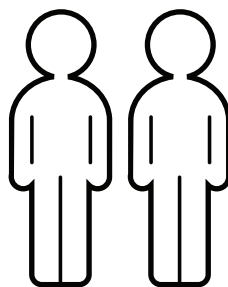


B x 6



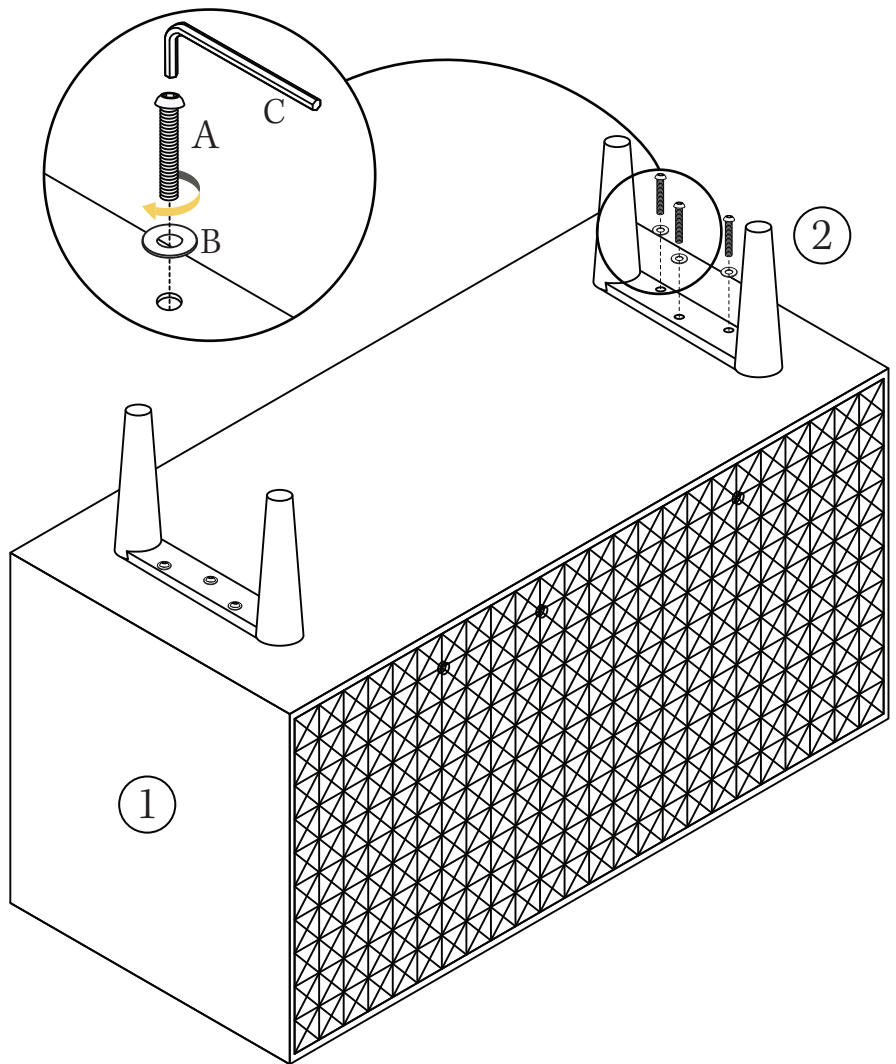
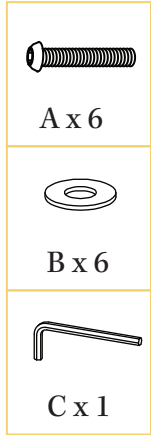
C x 1

What you need



Step 1

Align a leg (2) with the underside of the body (1) so that the screw holes overlap. Fit a washer (B) to a bolt (A) and screw it into a hole using the Allen key (C). Repeat this for the remaining holes and then repeat the process for the second leg (2).



Step 2

With another person, lift the piece of furniture off the ground and place it upright on a level surface. Enjoy your new sideboard!

