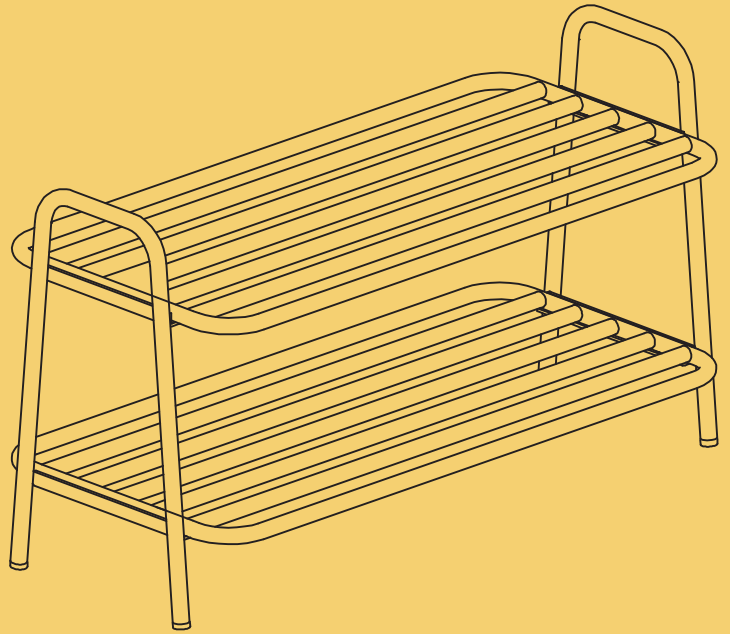


v1.0

BROSA

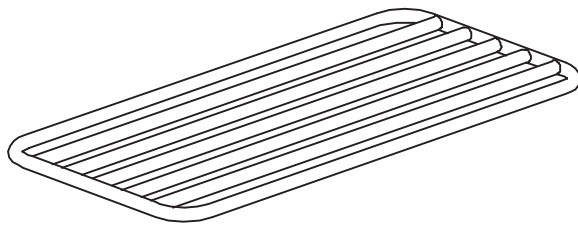


ASSEMBLY GUIDE

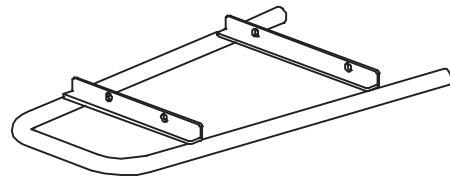
Haim Shoe Rack

Components

Upon unpacking your shoe rack from its delivery box, you should have the separate pieces shown below. Follow the steps on the next pages to assemble your new shoe rack.



Shelf x 2



Leg x 2

Hardware

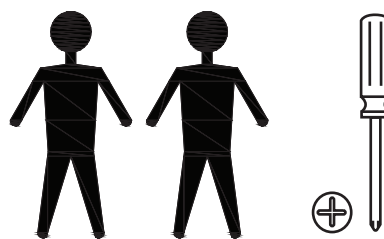


A x 8 (Bolt)
Spec: M6x16



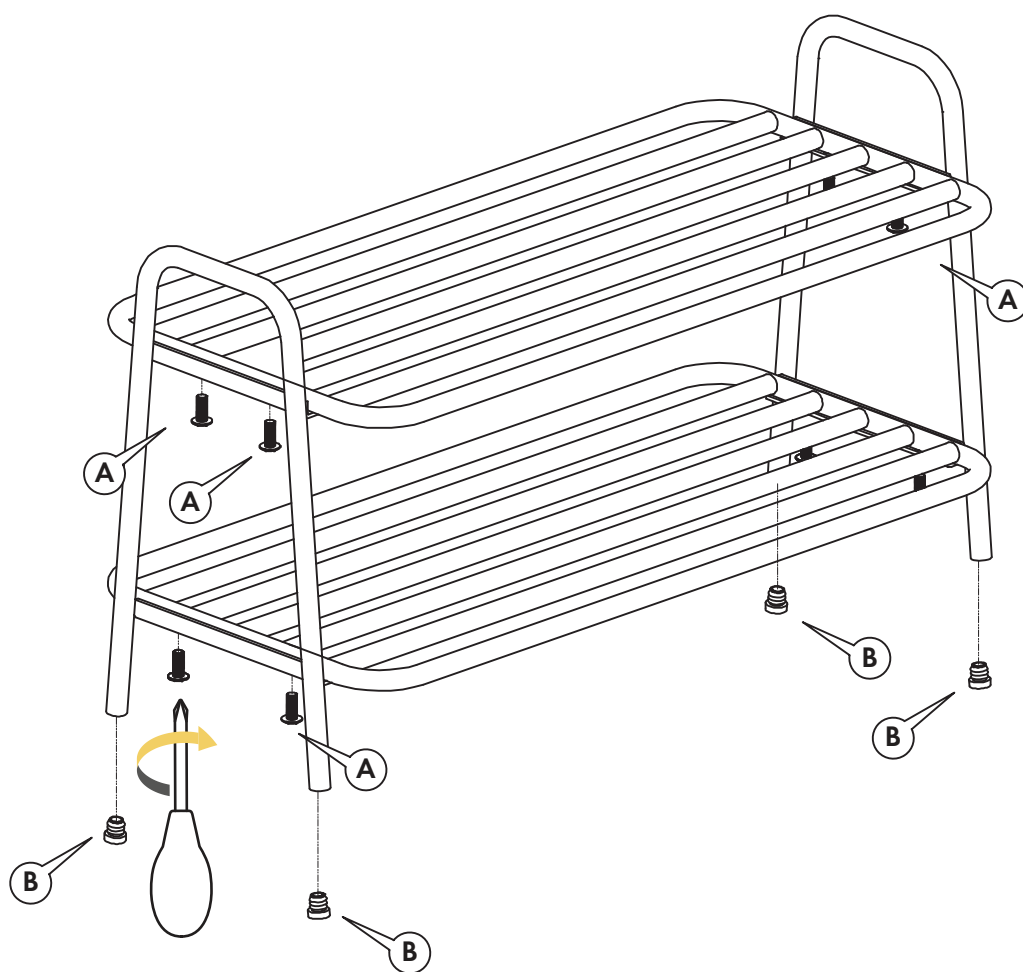
B x 4 (Leg Cap)

What you need



Step 1

Attach the leg caps (B) to the end openings on the legs. Align the top shelf to a leg making sure the bolt holes are overlapping. Screw a bolt (A) into the hole using a screwdriver. Repeat with the second leg. Then with the second shelf.



Step 2

Place the shoe rack and upright on a level surface.
Enjoy your new shoe rack!

