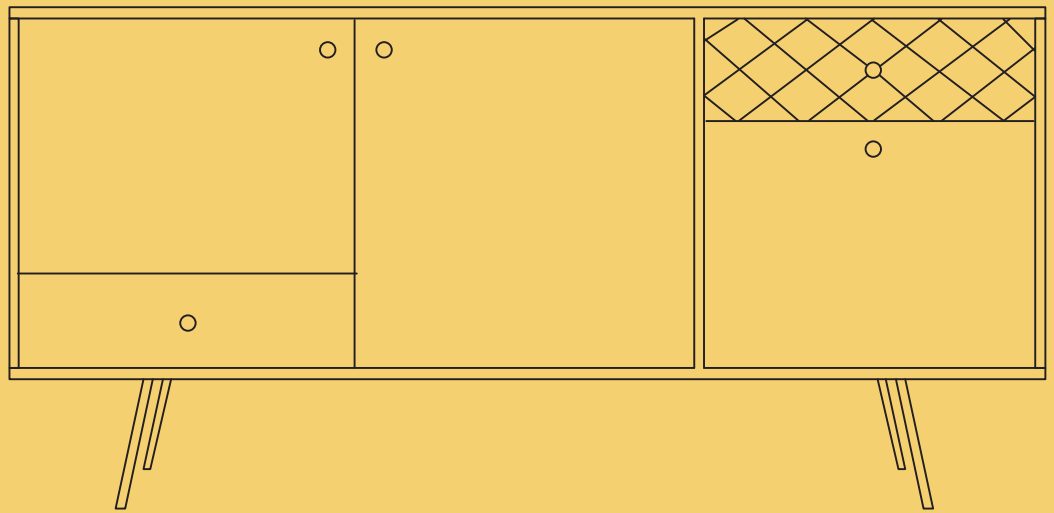


v1.0

BROSA

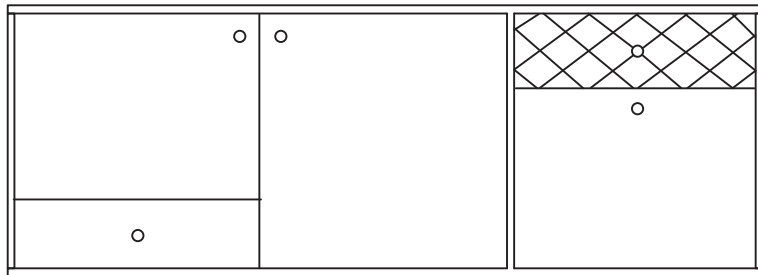


ASSEMBLY GUIDE

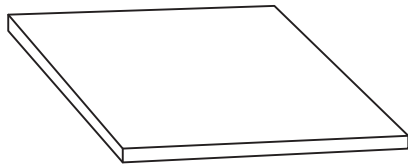
Roma Sideboard

Components

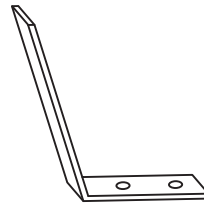
Upon unpacking your storage from its delivery box, you should have the separate pieces shown below. Follow the steps on the next pages to assemble your new storage.



Body x 1



Shelf x 2



Leg x 4

Hardware



A x 8 (Bolt)

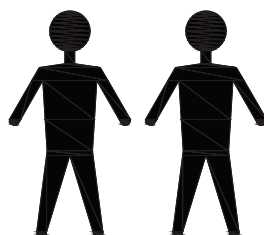


B x 8 (Washer)



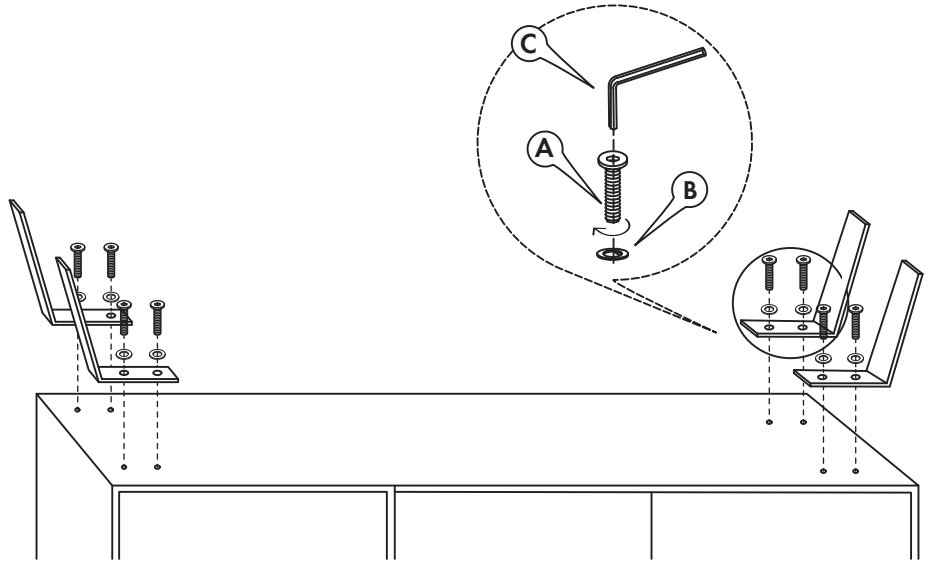
C x 1 (Allen key)

What you need



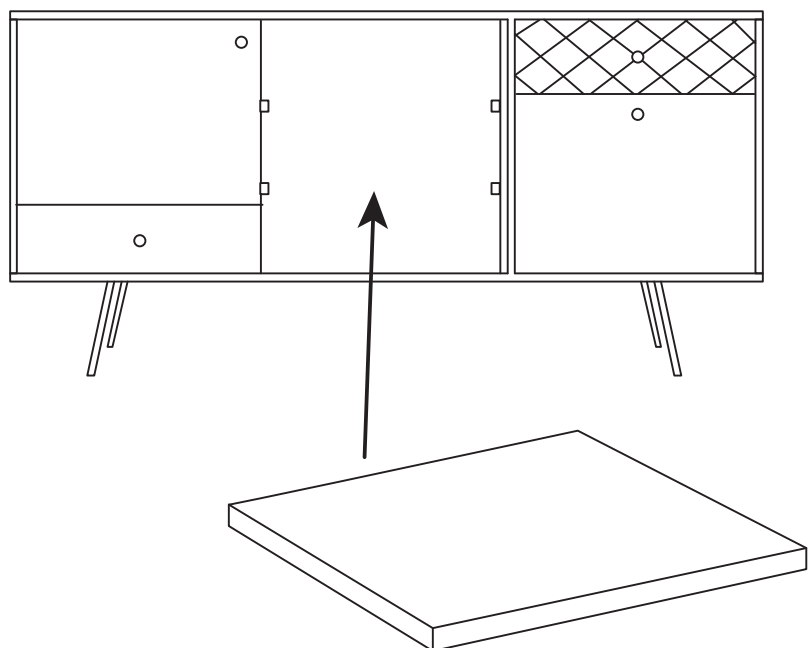
Step 1

Align a leg to the underside of the body so that the bolt holes are overlapping. Fit a flat washer (B) to a bolt (A) and screw into a hole using allen key (C). Repeat for the other bolts to secure the leg in place. Repeat for the remaining legs.



Step 2

Gently lift the storage and place upright on a level surface. Open the door and place the shelves.



Step 3

Close the door and enjoy your new storage!

