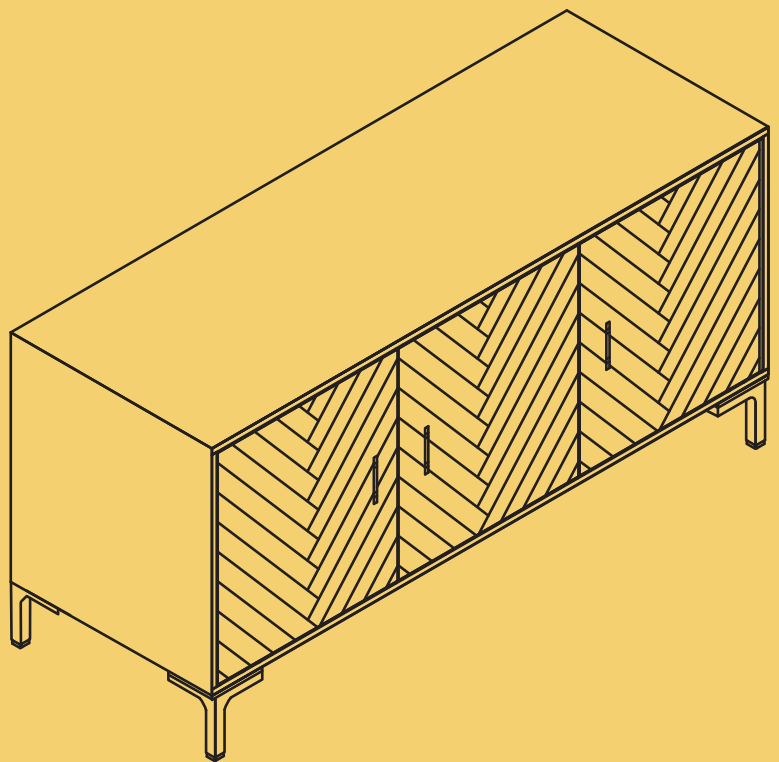


v1.0

BROSA

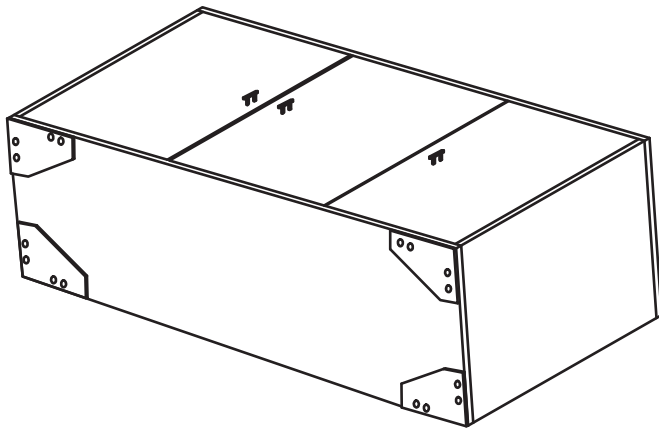


ASSEMBLY GUIDE

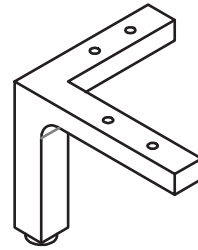
Vokas Sideboard

Components

Before you get started, check you have all of the pieces below. If anything's missing, please visit www.brosa.com.au/pages/product-return-and-parts-request and we'll sort it out right away.



Body x 1



Leg x 4

Hardware



A x 16 (Bolt)



B x 16 (Flat Washer)

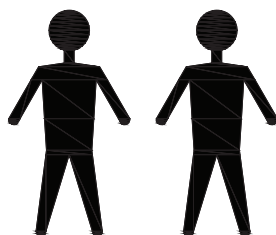


C x 16 (Spring Washer)



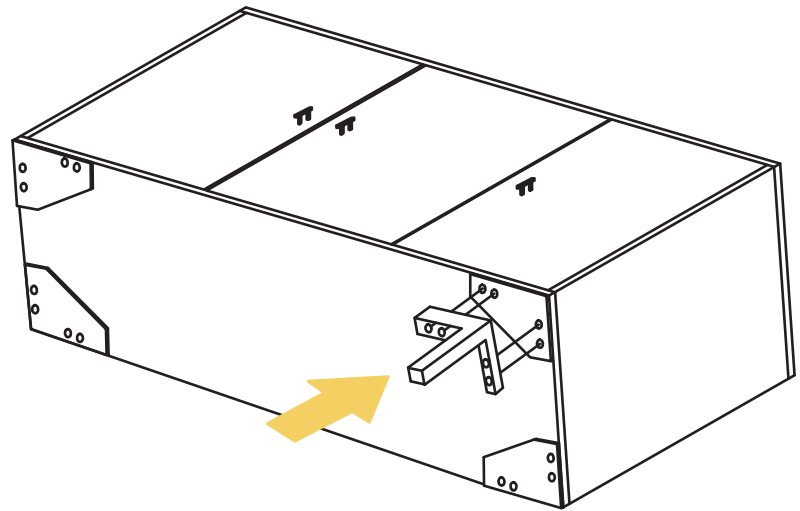
D x 1 (Allen Key)

What you need



Step 1

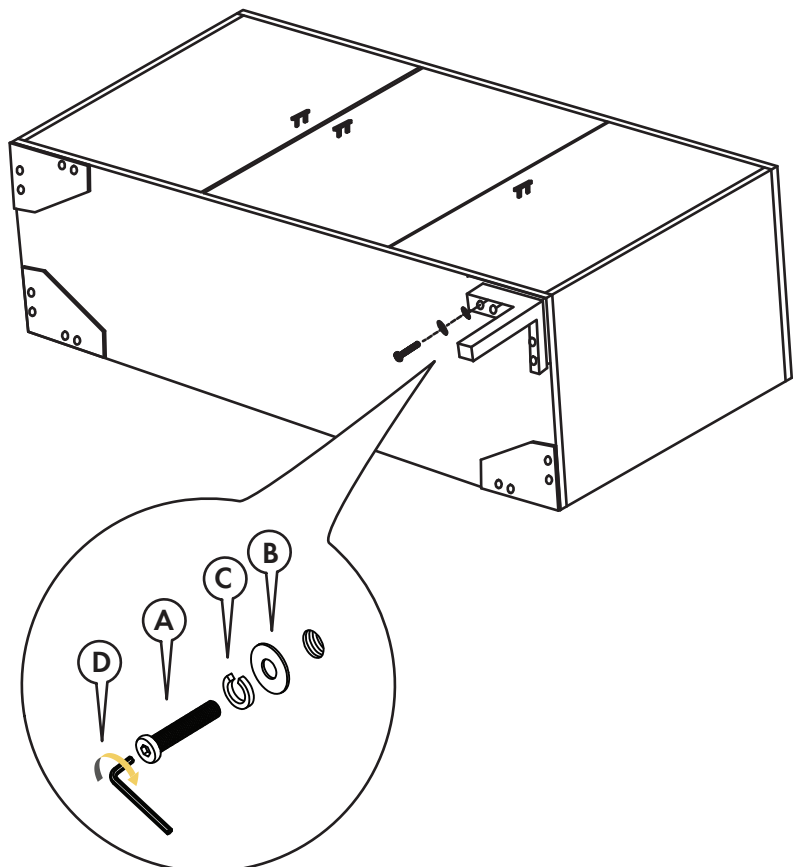
Align a leg to the underside of the body so that the bolt holes are overlapping.



Step 2

Fit a spring washer (C) then a flat washer (B) to a bolt (A) and tighten into the holes using the allen key (D). Repeat for the remaining legs.

- 
A x 16
- 
B x 16
- 
C x 16
- 
D x 1



Step 3

With another person, lift the storage off the ground and place it upright on a level surface.
Enjoy your new storage!

