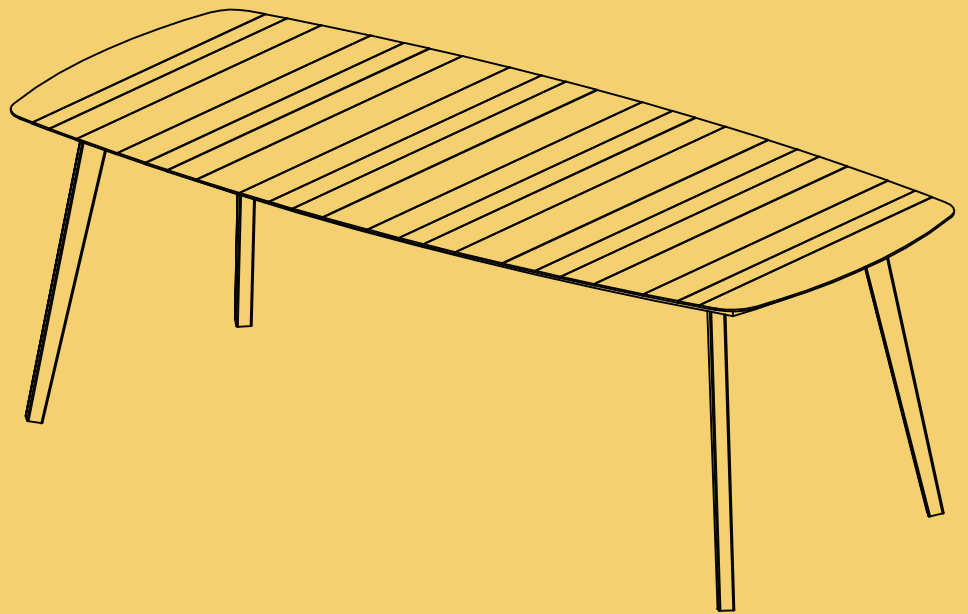


v1.0

BROSA



ASSEMBLY GUIDE

Mandalay Outdoor Dining Table

Components

Before you get started, check you have all of the pieces below. If anything's missing, please visit www.brosa.com.au/pages/product-return-and-parts-request and we'll sort it out right away.

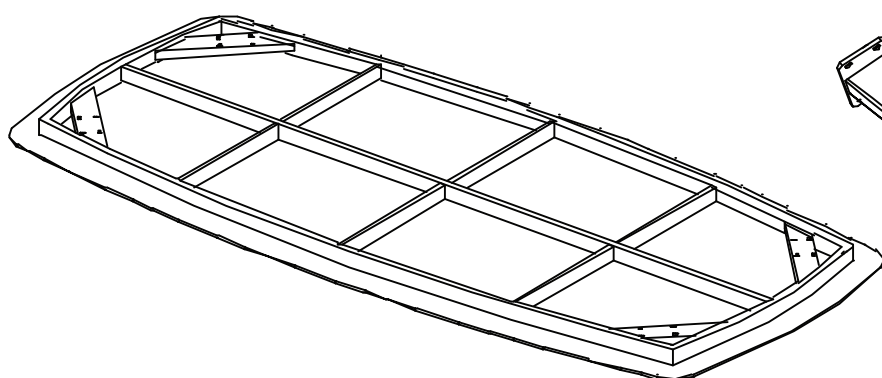
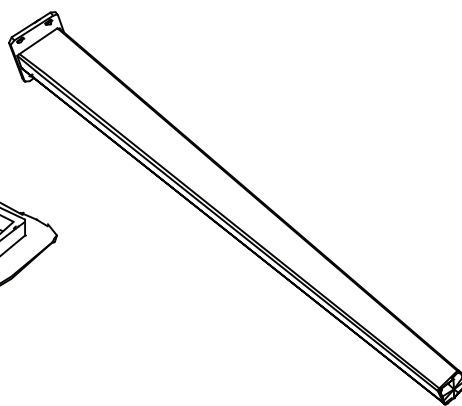
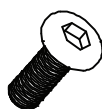


Table Top x 1



Leg x 4

Hardware

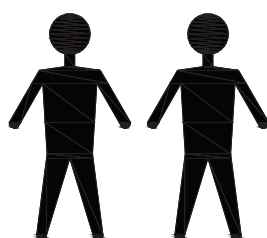


A x 16 (Bolt)



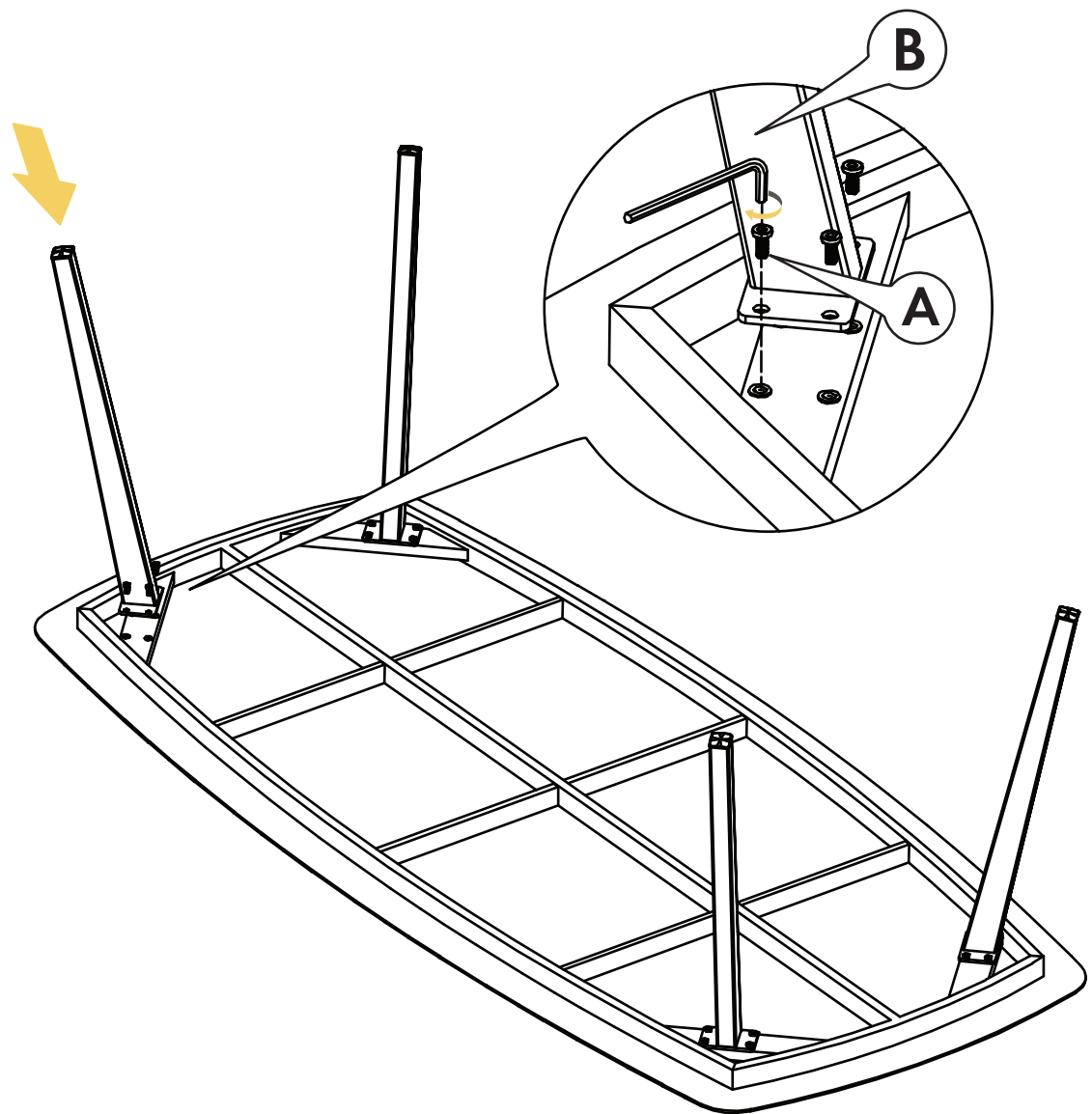
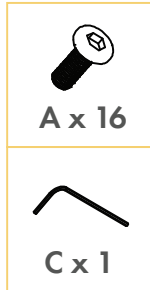
B x 1 (Allen Key)

What you need



Step 1

Align a leg to the underside of the table so that the bolt holes are overlapping. Screw the bolts (A) into holes using an allen key (B). Repeat for all four legs.



Step 2

Gently lift the table and place upright on a level surface. Enjoy your new table!

