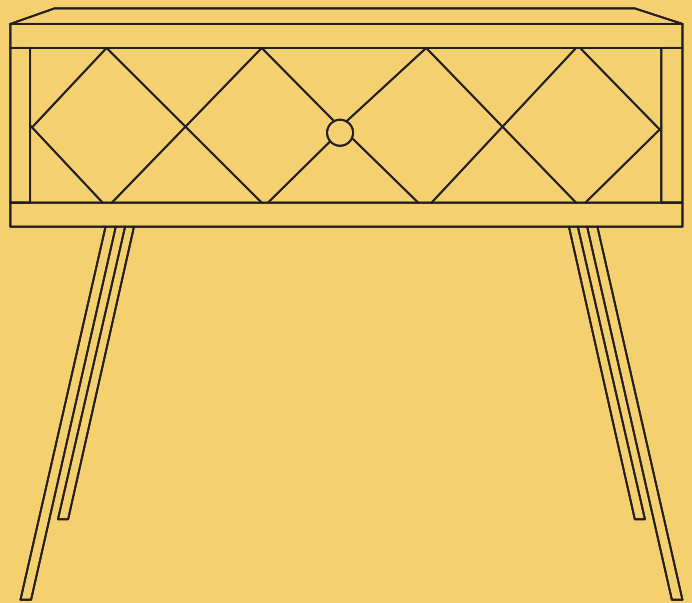


v1.0

# BROSA

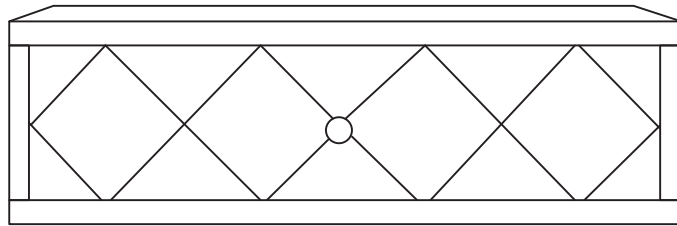


**ASSEMBLY GUIDE**

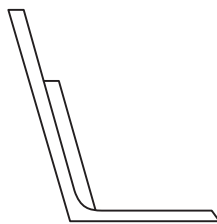
## Roma Bedside Table

# Components

Upon unpacking your storage from its delivery box, you should have the separate pieces shown below. Follow the steps on the next pages to assemble your new storage.



Body x 1



Leg x 4

## Hardware



A x 8 (Bolt)

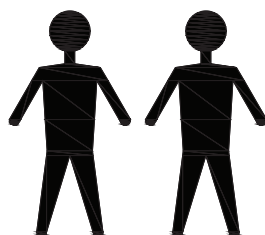


B x 8 (Washer)



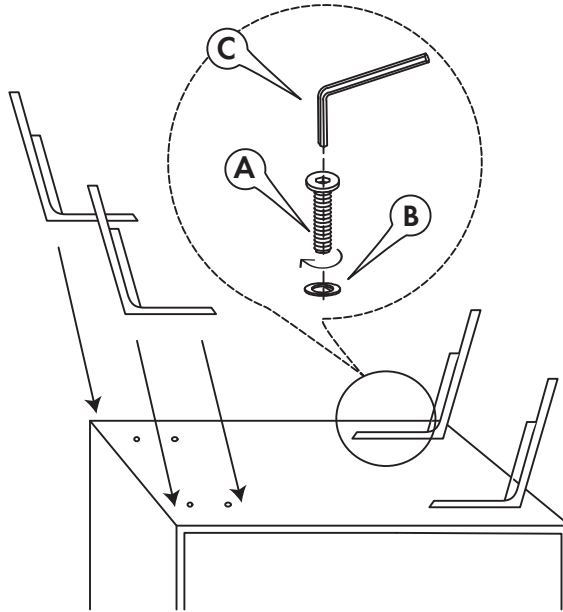
C x 1 (Allen key)

## What you need



# Step 1

Align a leg to the underside of the body so that the bolt holes are overlapping. Fit a flat washer (B) to a bolt (A) and screw into a hole using allen key (C). Repeat for the other bolts to secure the leg in place. Repeat for the remaining legs.



# Step 2

Gently lift the table and place upright on a level surface. Enjoy your new table!

